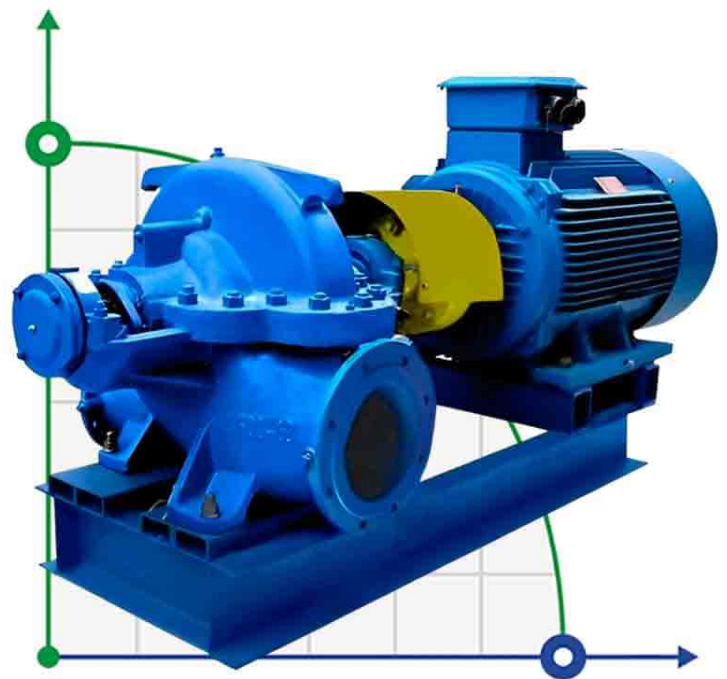
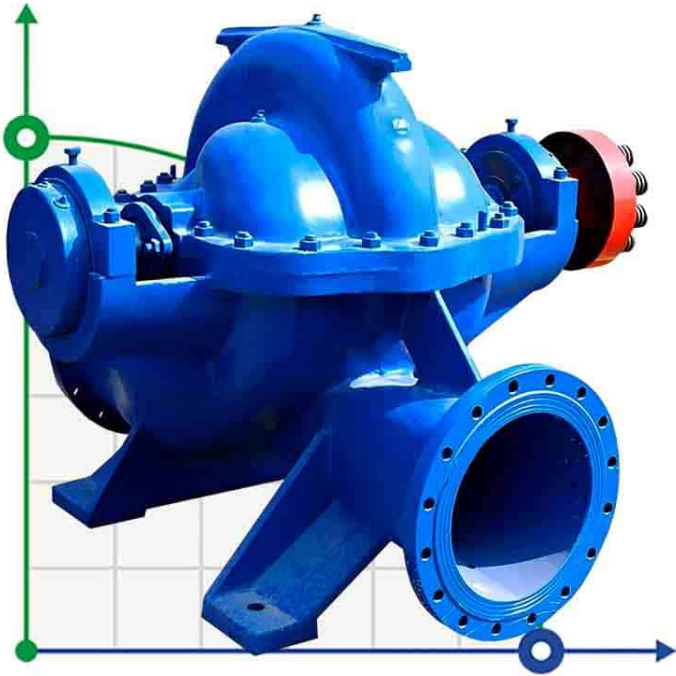


<https://prom-nasos.pro>
<https://bts.net.ua>
<https://prom-nasos.com.ua>
+38 095 656-37-57,
+38 067 360-71-01,
+38 063 362-12-31,
info@prom-nasos.pro



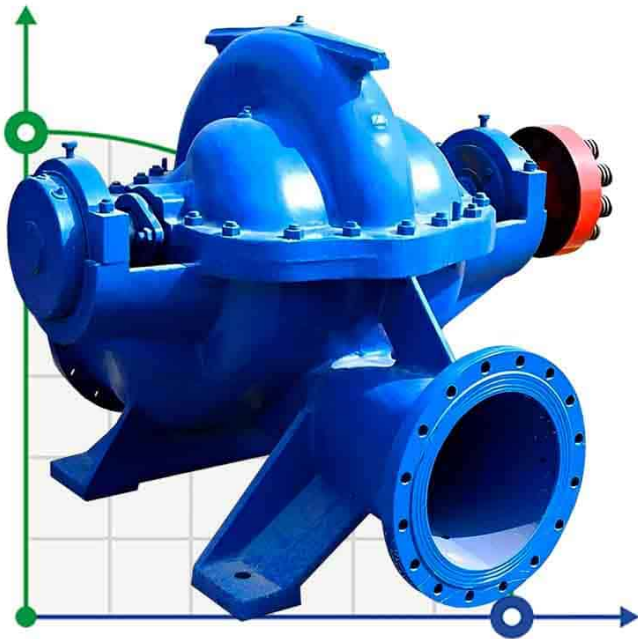
Catalog D, 1D series

Double Suction Split Case Pump

<https://bts.net.ua>

D, 1D SERIES

Double Suction Split Case Pump



Feature of the pump is a centrifugal wheel of bilateral entry, that is, the liquid enters the impeller from both sides, then it is dispersed and ejected by the vanes inside the wheel and enters the pressure chamber of the pump. D pump has 360 degree angle of liquid flow acceleration unlike the conventional centrifugal pump, this increases the efficiency and makes the unit energy saving. The discharge tubes are linearly positioned, which also saves the energy that a conventional centrifugal pump uses to change the angle of fluid flow.

Often, one pump D can replace several centrifugal pumps, which will reduce labor costs and repair costs of equipment, as it is known that the main condition of stable and long-term operation of centrifugal pumps is absence of vibration (exact fit and alignment). The mirror design of the pump makes it possible to control this process, which also increases the stability of alignment by many times.

Centrifugal double-entry pumps type D and the units based on them are designed for transportation of industrial water and other liquids with viscosity and chemical activity similar to water, with temperature up to 85°C, without solid particles over 0,05% by mass, with size over 0,2 mm and micro-hardness over 6,5 GPa (650 kgf/mm²).

Pumps, on their own or as a part of units, can be supplied to customers in the following designs with impeller providing nominal parameters; with turned impeller diameter.

Unit designation of pump and pump-based unit **D 320-50**,

where:

D - pump type;

320 - nominal flow, m³ /h;

50 - pump head in nominal mode, m.

Pump **D320-50a** - also with turning "a" of wheel diameter, where:

a - first turning of impeller diameter;

Pump **D320-50b** - also with turning "b" of impeller diameter, where

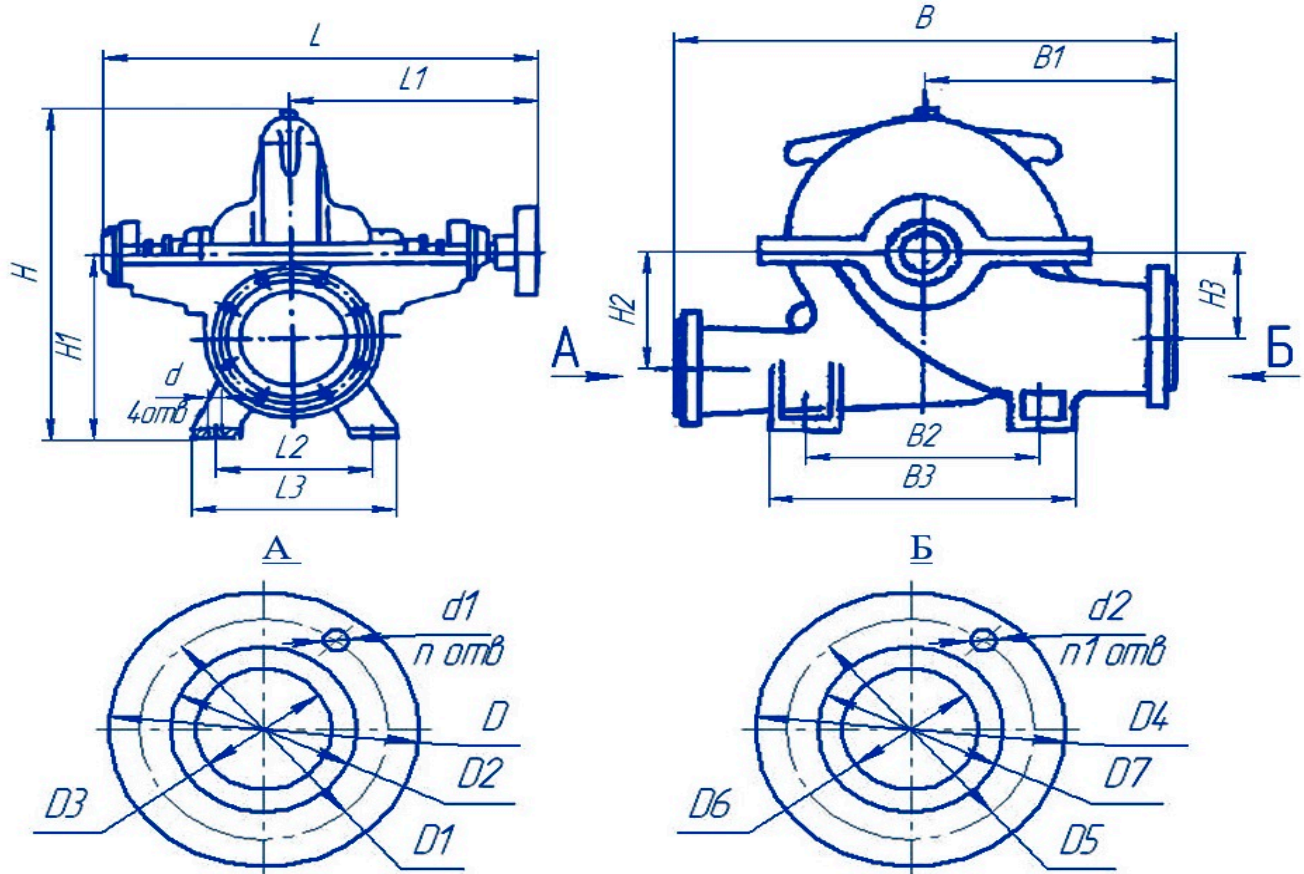
b - second turning of impeller diameter.

D, 1D SERIES

PUMP	FLOW, M ³ /H	HEAD, M	SPEED, RPM	PERMISSIBLE CAVITATION MARGIN, M, NO MORE THAN	PUMP EFFICIENCY, %, NOT LESS	POWER, KW
D 200-36	200	36	1450	5,5	74	37
D 200-36a	190	30	1450	5,5	71	30
D 200-366	180	25	1450	6	66	22
D 320-50	320	50	1450	4,5	77	75
D 320-50a	300	40	1450	4,8	74	55
D 320-506	300	30	1450	5	69	45
1D 200-90	200	90	2900	5,5	75	90
1D 200-90a	180	74	2900	5,8	72	75
1D 200-906	160	62	2900	6	69	55
1D 315-71	315	71	2900	6,5	83	110
1D 315-71a	300	64	2900	7	80	90
1D 315-50	315	50	2900	7	78	75
1D 315-50a	300	42	2900	7	75	55
1D 250-125	250	125	2900	6	76	160
1D 250-125a	240	110	2900	6	74	132
1D 250-1256	220	90	2900	6	72	110
1D 250-125	125	30	1450	5,5	76	22
1D 250-125a	120	27,5	1450	5,5	74	18,5
1D 250-1256	110	22	1450	5,5	72	15
1D 500-63	500	63	1450	4,5	77	160
1D 500-63a	450	53	1450	4,5	74	132
1D 500-636	400	44	1450	4,5	69	90
1D 500-63	340	28	980	4,3	78	45
1D 500-63a	300	24	980	4,3	78	37
1D 500-636	270	20	980	4,3	78	30
1D 630-90	630	90	1450	5,5	77	250
1D 630-90a	550	74	1450	5,8	74	200
1D 630-906	500	60	1450	6	69	160
1D 630-90	500	38	980	5	77	110
1D 630-90a	470	30	980	5,2	74	75
1D 630-906	420	25	980	5,4	69	55
1D 630-125	630	125	1450	5,5	75	400
1D 630-125a	550	101	1450	5,5	73	315
1D 630-1256	500	82	1450	5,5	71	250
1D 630-125	500	54	980	5,3	73	110
1D 630-125a	450	45	980	5,3	68	90
1D 630-1256	420	38	980	5,3	69	75
1D 800-56	800	56	1450	5	83	200
1D 800-56a	740	48	1450	5	80	132
1D 800-566	700	40	1450	5	75	110
1D 800-56	540	28	980	4,8	82	55
1D 800-56a	500	22	980	4,8	79	45
1D 800-566	470	19	980	4,8	74	37
1D 1250-63	1250	63	1450	5,5	86	315
1D 1250-63a	1100	52,5	1450	5,5	86	250
1D 1250-636	1050	44	1450	5,5	86	200
1D 1250-63	800	28	980	5,3	86	110
1D 1250-63a	740	24	980	5,3	86	75
1D 1250-636	710	20	980	5,3	86	55
1D 1250-125	1250	125	1450	5,5	78	630
1D 1250-125a	1150	102	1450	5,5	75	500
1D 1250-1256	1030	87	1450	5,5	70	400
1D 1250-125	800	56	980	5,3	78	200
1D 1250-125a	750	48	980	5,3	75	160
1D 1250-1256	700	40	980	5,3	70	132
1D 1600-90	1600	90	1450	7	86	630
1D 1600-90a	1450	75	1450	7	83	500
1D 1600-906	1300	63	1450	7	81	400
1D 1600-90	1000	40	980	5	85	160
1D 1600-90a	970	34	980	5	82	132
1D 1600-906	870	16	980	5	80	110

D, 1D SERIES

Dimensions of pumps without motor



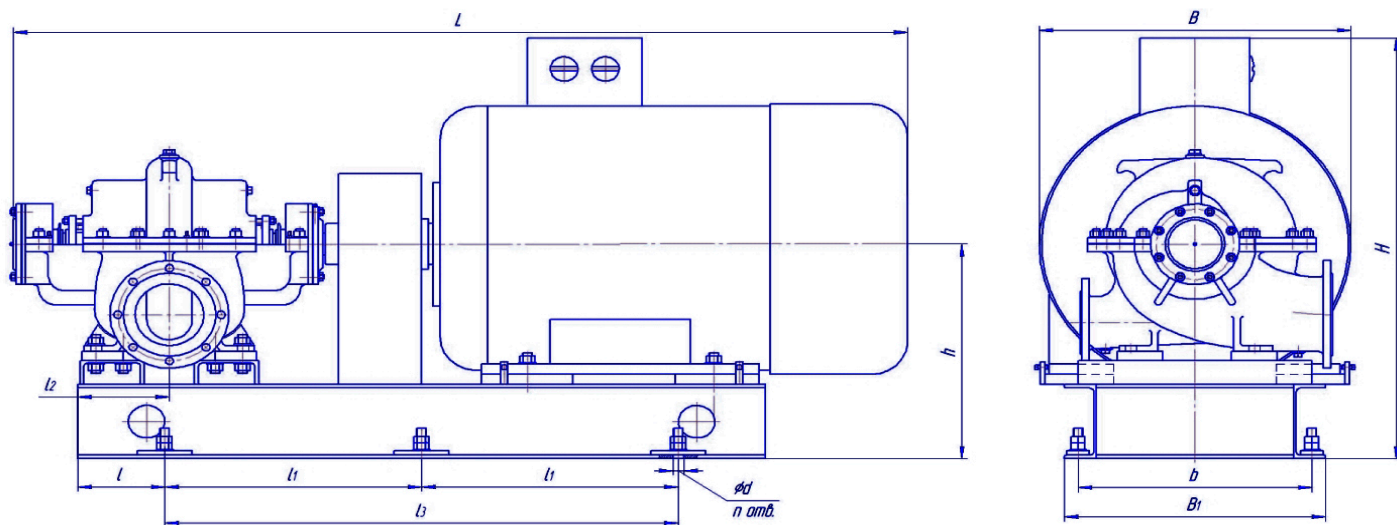
Dimensions

PUMP	L	L1	L2	L3	B	B1	B2	B3	H	H1	H2	H3	WEIGHT, KG
D 320-50	830	458	320	400	966	492	510	600	700	400	260	188	317
1D 200-90	766	420	200/320	250/320	530	280	270	335	495	260	170	170	198
1D 315-50	766	420	200/320	250/370	600	300	270	335	520	290	170	170	193
1D 315-71	766	420	200/320	250/370	600	300	270	335	520	290	170	170	193
D 200-36	817	454	260	340	800	427	430	560	617	350	224	162	269
1D 250-125	765	420	200/320	250/370	550	250	270	335	475	260	190	170	179
1D 500-63	1145	645	300/530	360/590	770	420	440	500	720	390	280	220	605
1D 630-90	1145	645	300/530	360/590	1000	500	530	590	755	440	330	270	683
1D 630-125	1142	645	300/530	360/590	900	500	530	590	868	470	370	300	864
1D 800-56	1147	645	300/530	360/590	880	480	530	590	770	440	300	240	683
1D 1250-63	1179	665	300/530	360/590	950	500	530	590	847	500	340	300	865
1D 1250-125	1366	782	360/630	440/710	1050	600	630	710	963	530	400	300	1100
1D 1600-90	1378	782	360/630	440/710	1200	600	630	710	945	530	380	300	1165

PUMP	D	D1	D2	D3	D4	D5	D6	D7	d	d1	d2	n	n1
D 320-50	260	225	202	150	315	280	200	258	23	18	18	8	8
1D 200-90	215	180	158	100	260	225	150	202	23	18	18	8	8
1D 315-50	280	240	212	150	315	280	200	258	23	22	18	8	8
1D 315-71	280	240	212	150	315	280	200	258	23	22	18	8	8
D 200-36	235	200	178	125	260	225	150	202	23	18	18	8	8
1D 250-125	215	180	158	100	260	225	150	202	24	18	18	8	8
1D 500-63	280	240	212	150	370	335	250	312	28	22	18	8	12
1D 630-90	335	295	268	200	370	335	250	312	28	22	18	12	12
1D 630-125	280	240	212	150	370	335	250	312	28	22	18	8	12
1D 800-56	335	295	268	200	435	395	300	365	28	22	22	8	12
1D 1250-63	390	350	320	250	485	445	350	415	28	22	22	12	12
1D 1250-125	335	295	268	200	485	445	350	415	35	22	22	12	12
1D 1600-90	460	410	370	300	485	445	350	415	35	26	22	12	12

D, 1D SERIES

Dimensions of pumps with motor

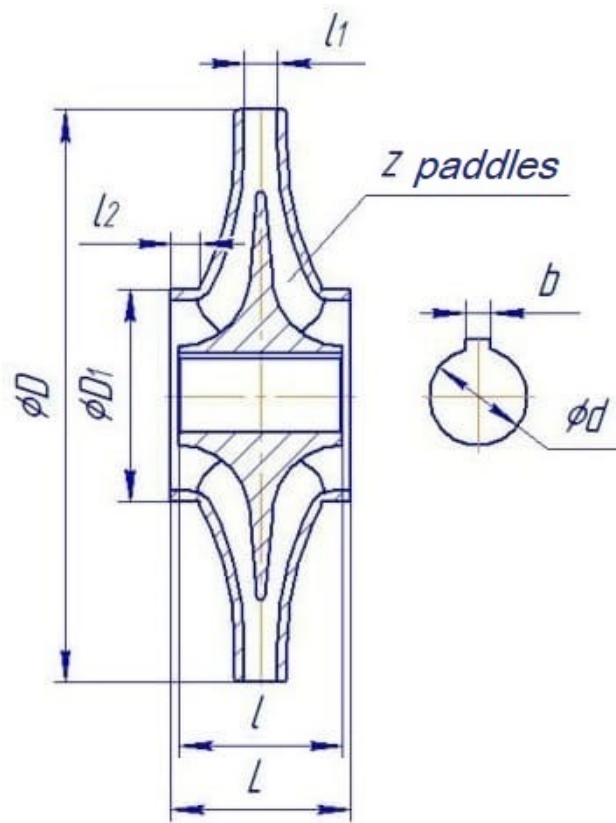


Dimensions

PUMP	H, MM	h, MM	L, MM	I, MM	I1, MM	I2, MM	I3, MM	B, MM	B1, MM	b, MM	d, MM	N, pcs	WEIGHT, KG
1D 200-90	776	436	1677	300	-	185	700	550	338	270	33	4	795
1D 250-125	1037	507	1962	100	800	350	1600	640	570	500	26	6	1462
1D 315-50	800	460	1652	350	-	190	600	550	348	290	33	4	830
1D 315-71	840	460	1882	400	-	195	600	660	338	290	33	4	995
1D 500-63	1040	590	2445	310	620	310	1240	770	605	550	33	6	1870
1D 630-90	1096	656	2446	350	600	305	1200	1000	592	530	32	6	1660
1D 630-125	1725	750	2330	310	700	310	1345	910	625	530	33	6	2500
1D 800-56	1220	720	2440	310	570	310	1140	880	625	540	33	6	1970
1D 1250-63	1415	760	2714	300	850	350	1700	950	620	530	35	6	2764
1D 1250-125	1700	800	3032	300	1100	400	2200	1320	720	630	35	6	3613
1D 1600-90	1700	800	3032	300	1100	400	2200	1320	720	630	35	6	3646

D, 1D SERIES

Dimensions of impeller

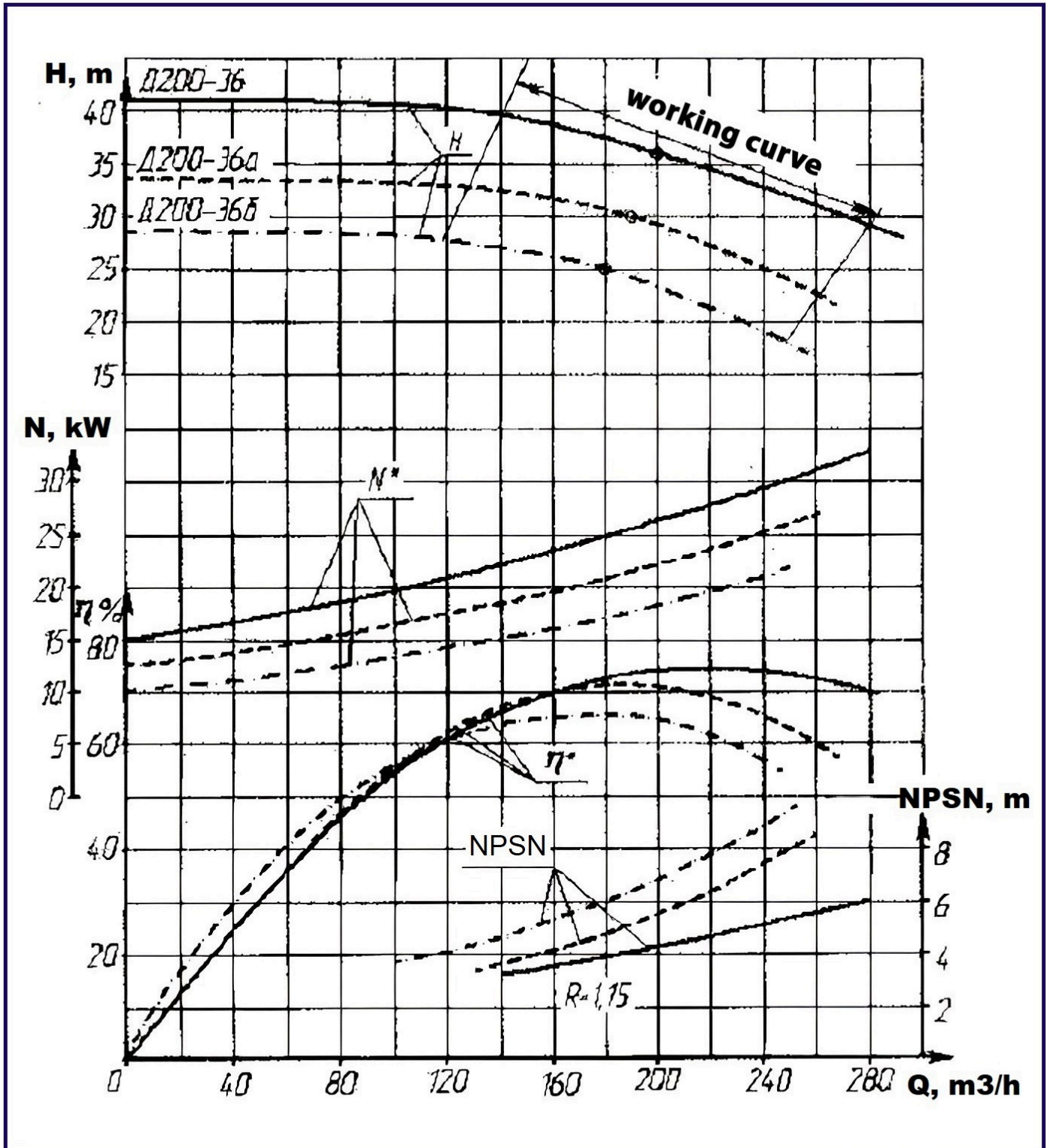


Dimensions

PUMP	D, MM	D1, MM	D, MM	L, MM	L, MM	L1, MM	L2, MM	B, MM	Z, pcs
Д 200-36	325	130	45	110	100	20	18	10	8
Д 320-50	405	160	45	128	100	24	22	10	8
1Д 200-90	275/250/230	140	50	124	75	25	32	10	7
1Д 250-125	312/292/272	130	50	114	75	30	24	10	6
1Д 315-50	242/225/-	140	50	124	75	45	23	10	7
1Д 315-71	242/225/-	140	50	124	75	42	23	10	7
1Д 500-63	445/405/375	205	75	165	115	45	34	18	7
1Д 630-90	520/470/435	225	75	190	135	50	35	18	6
1Д 630-125	590/536/491	220	75	190	135	50	35	18	6
1Д 800-56	425/397/371	230	75	205	135	50	35	18	7
1Д 1250-63	460/418/390	250	75	224	134	62	33	18	7
1Д 1250-125	615/568/526	270	100	245	150	64	40	22	6
1Д 1600-90	540/495/458	275	100	255	150	72	40	22	8

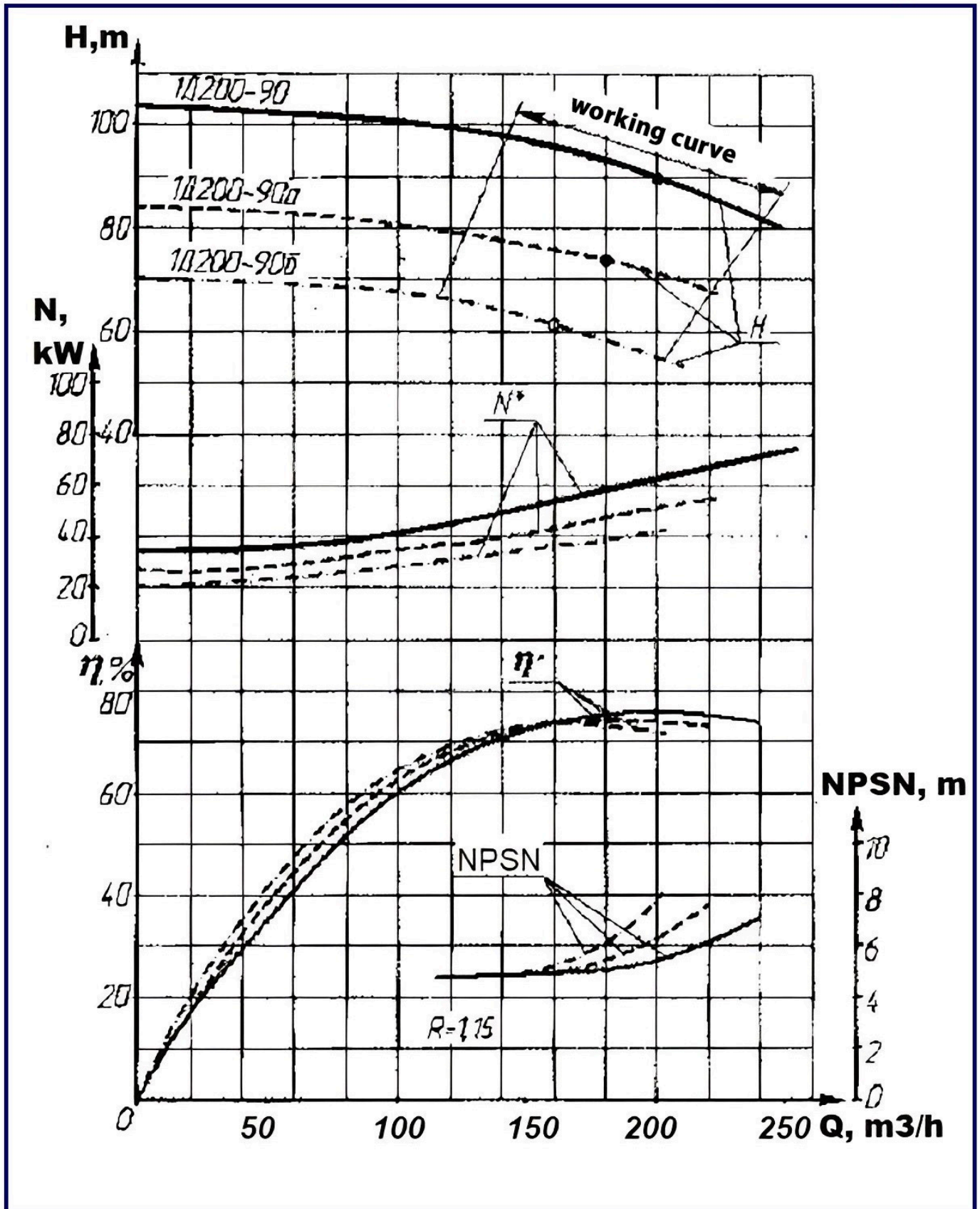
D, 1D SERIES

D200-36, 1500 rpm



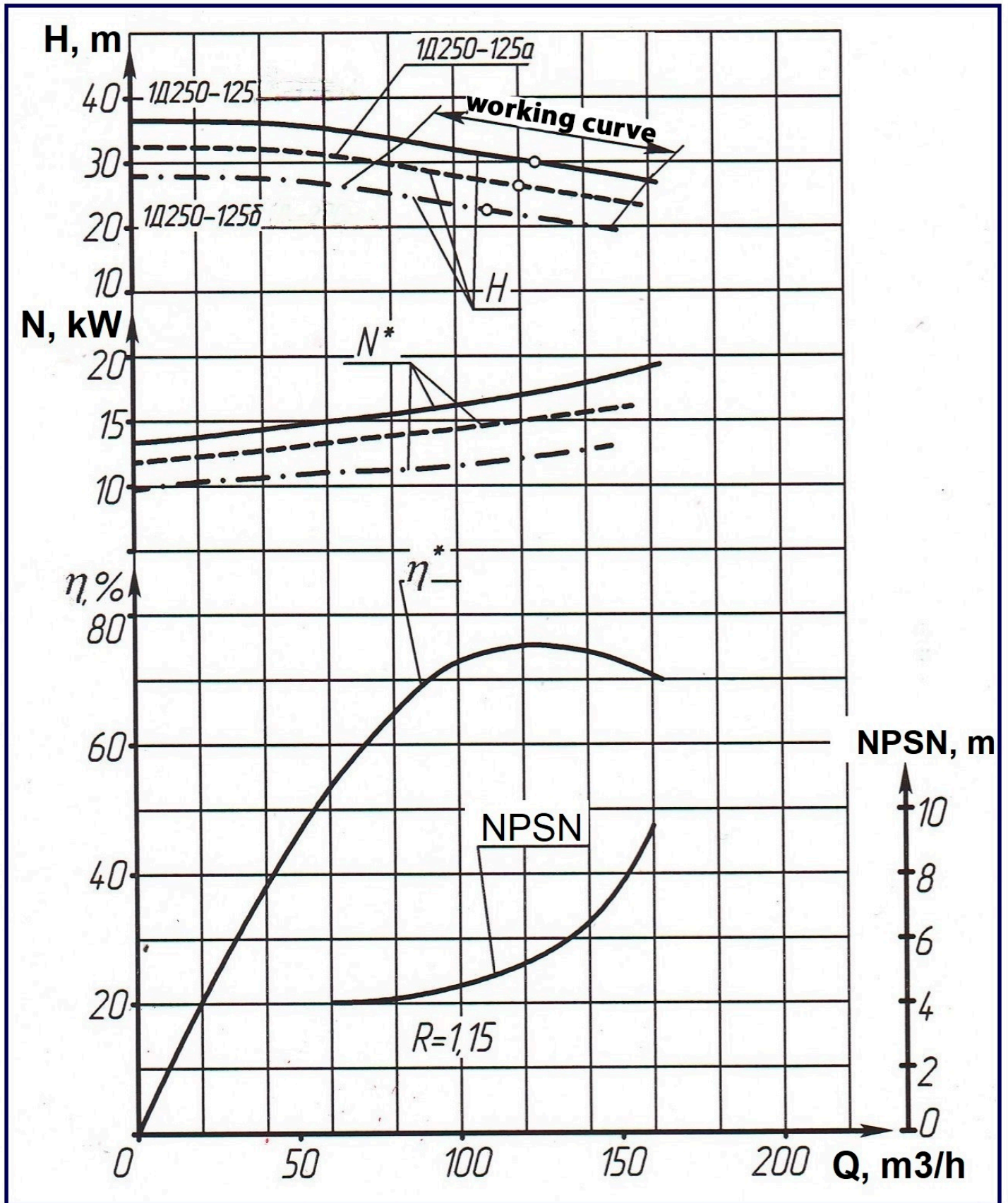
D, 1D SERIES

1D200-90, 3000 rpm



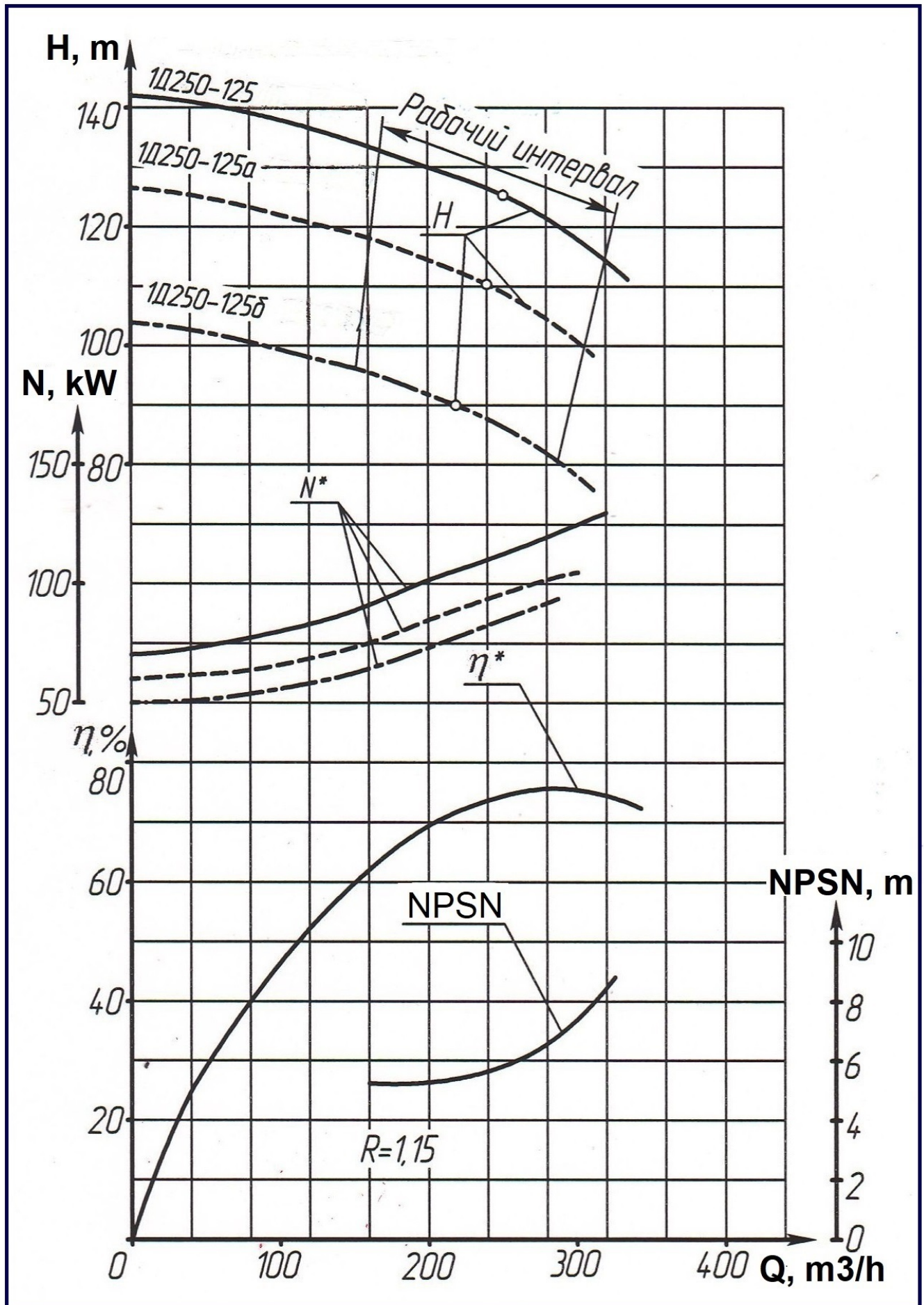
D, 1D SERIES

1D250-125, 1500 rpm



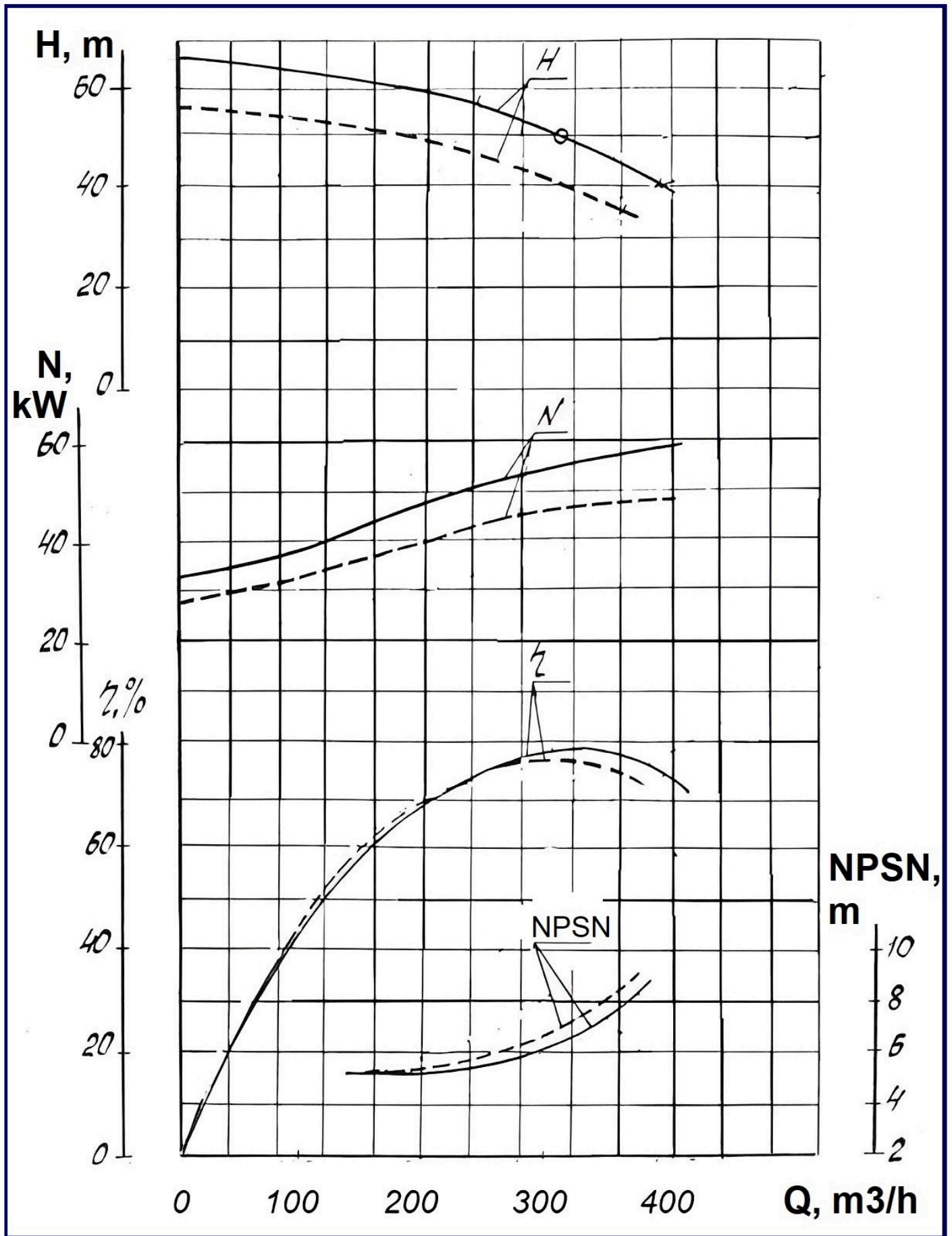
D, 1D SERIES

1D250-125, 3000 rpm



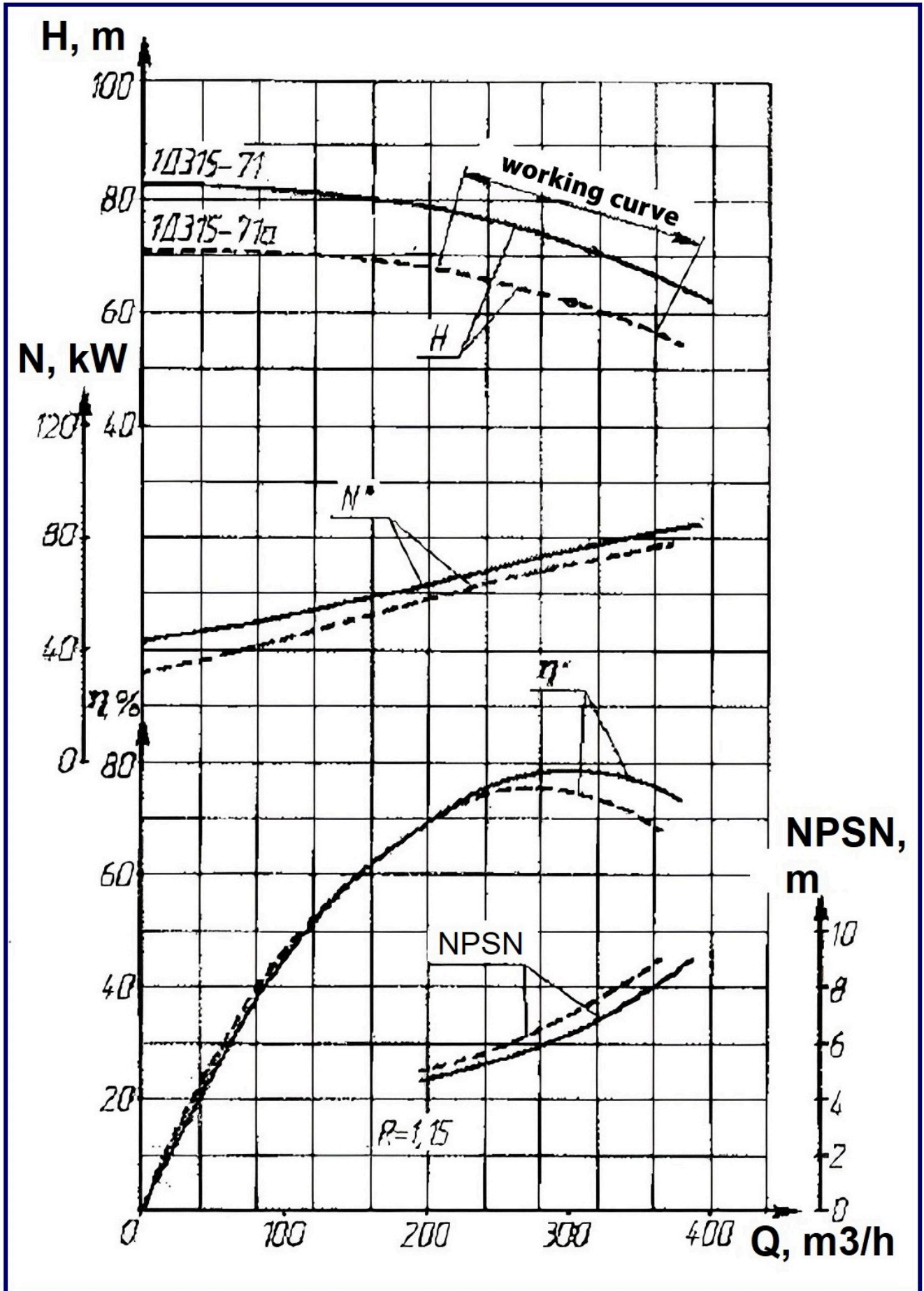
D, 1D SERIES

1D315-50, 3000 rpm



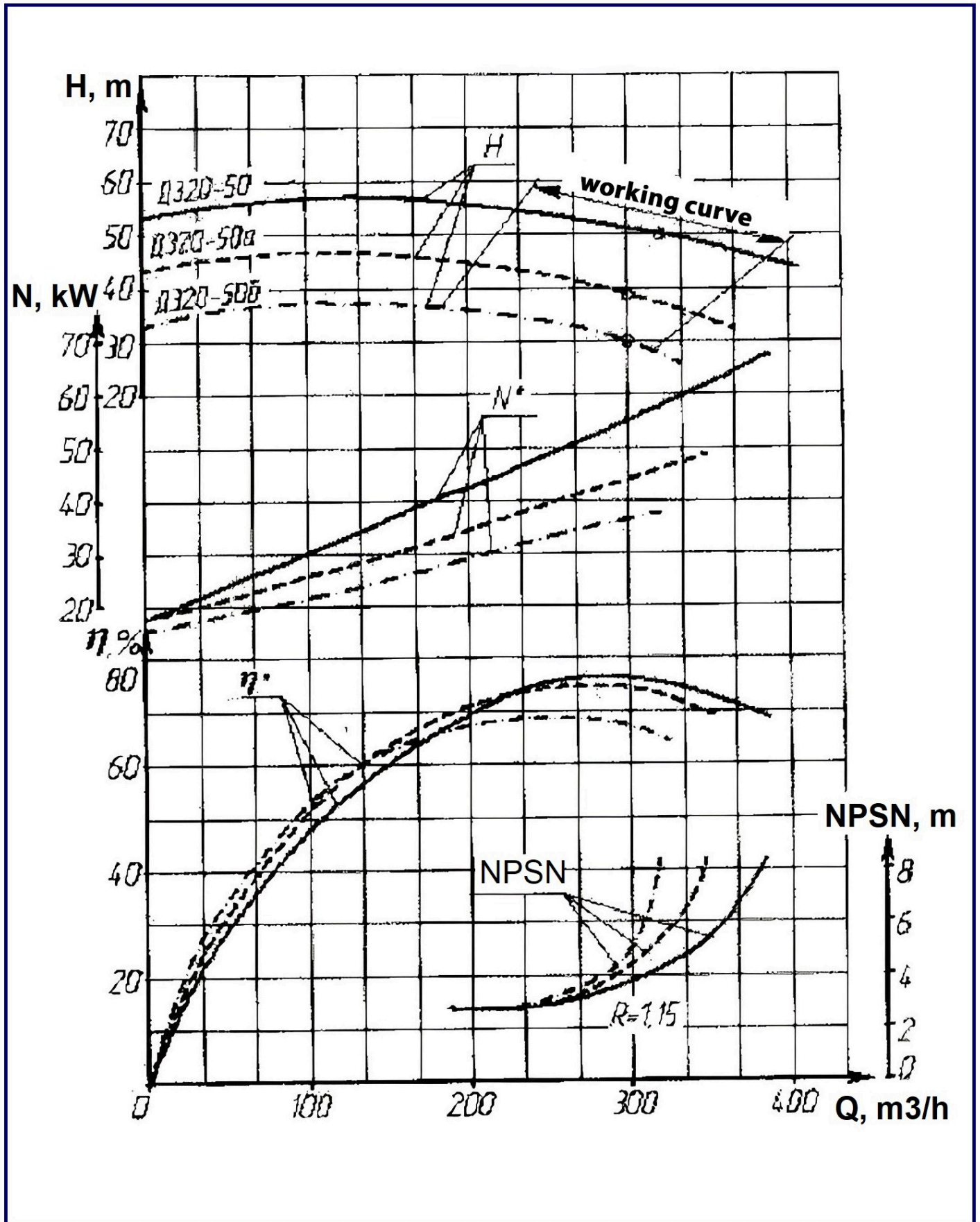
D, 1D SERIES

1D315-71, 3000 rpm



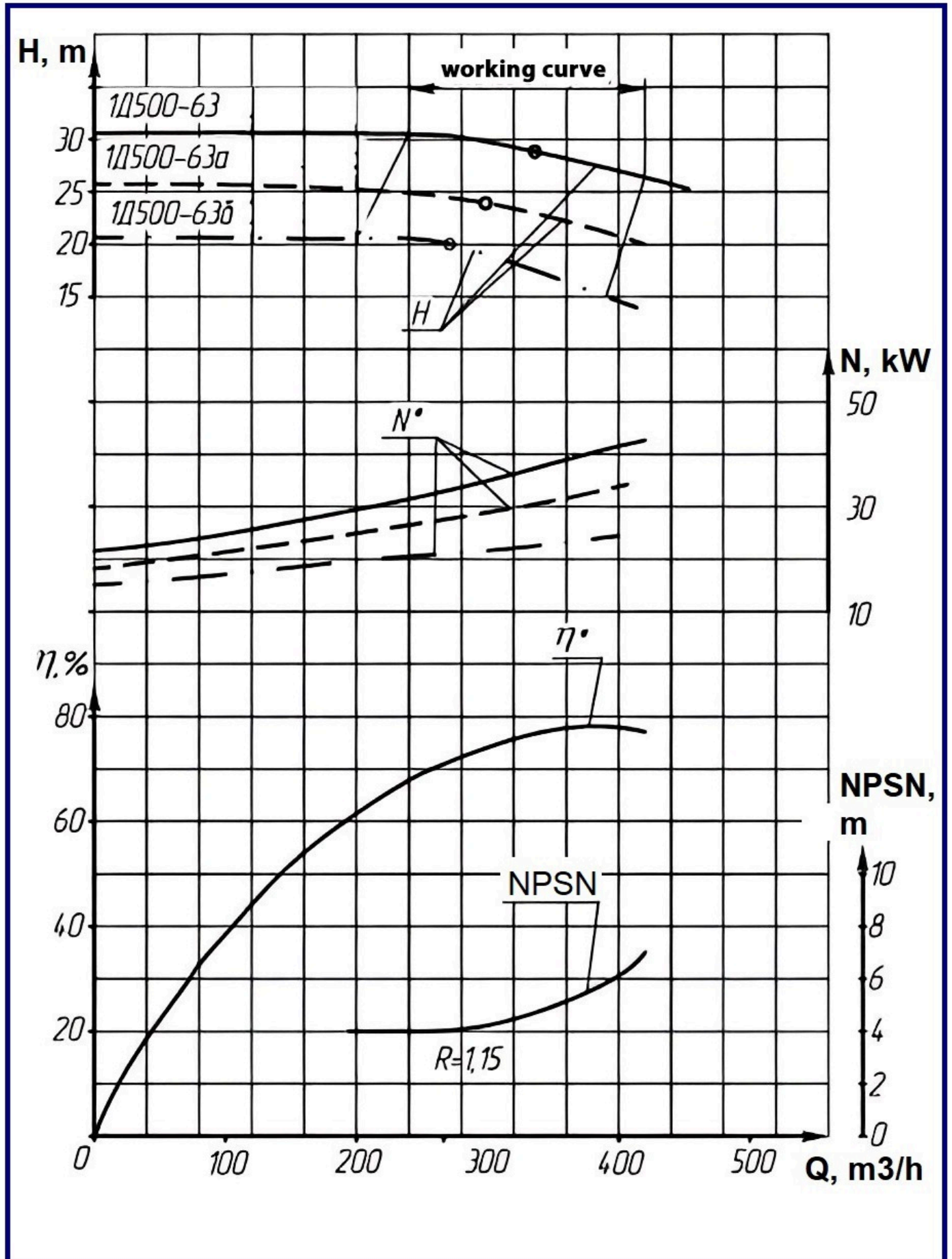
D, 1D SERIES

D320-50, 1500 rpm



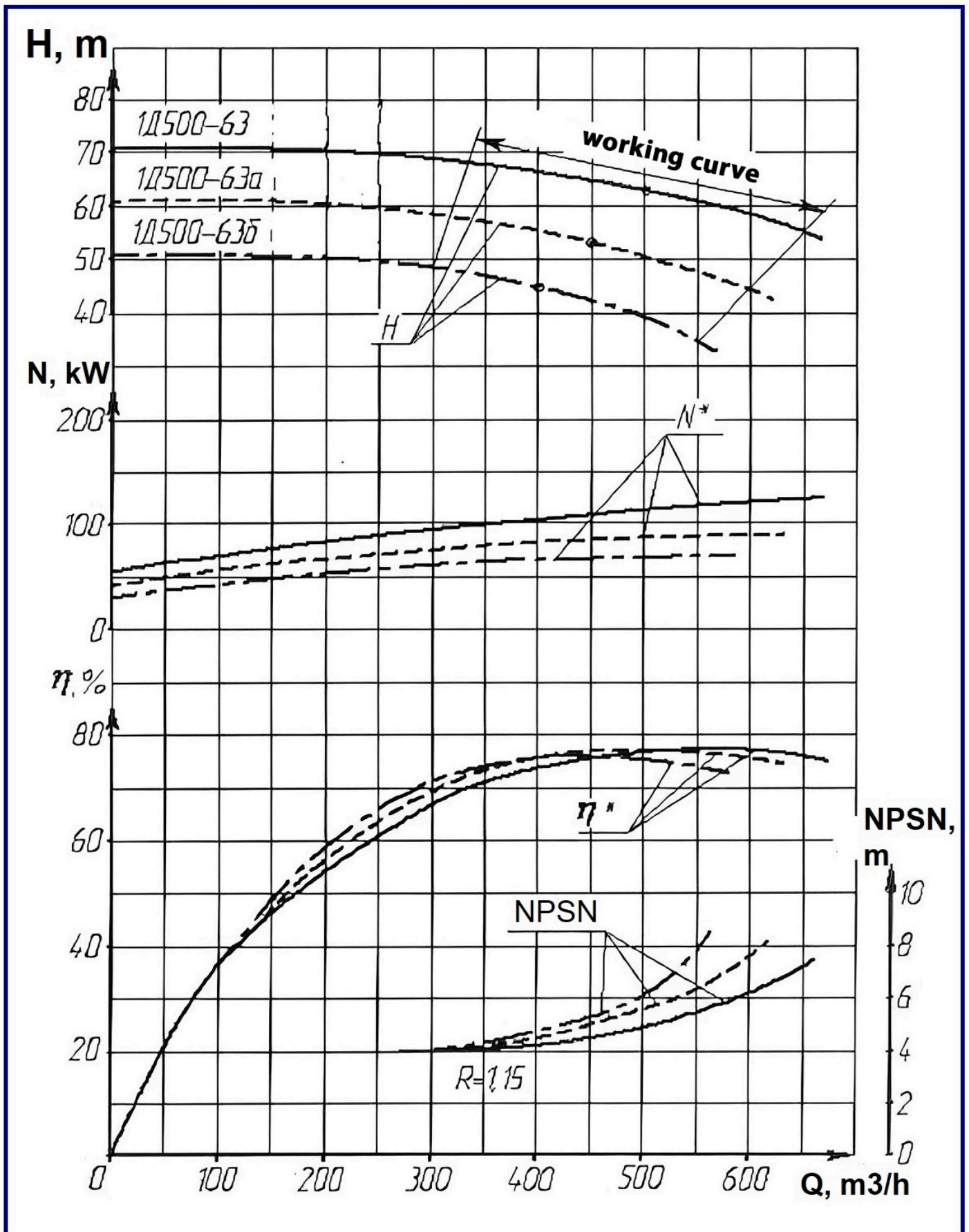
D, 1D SERIES

1D500-63, 1000 rpm



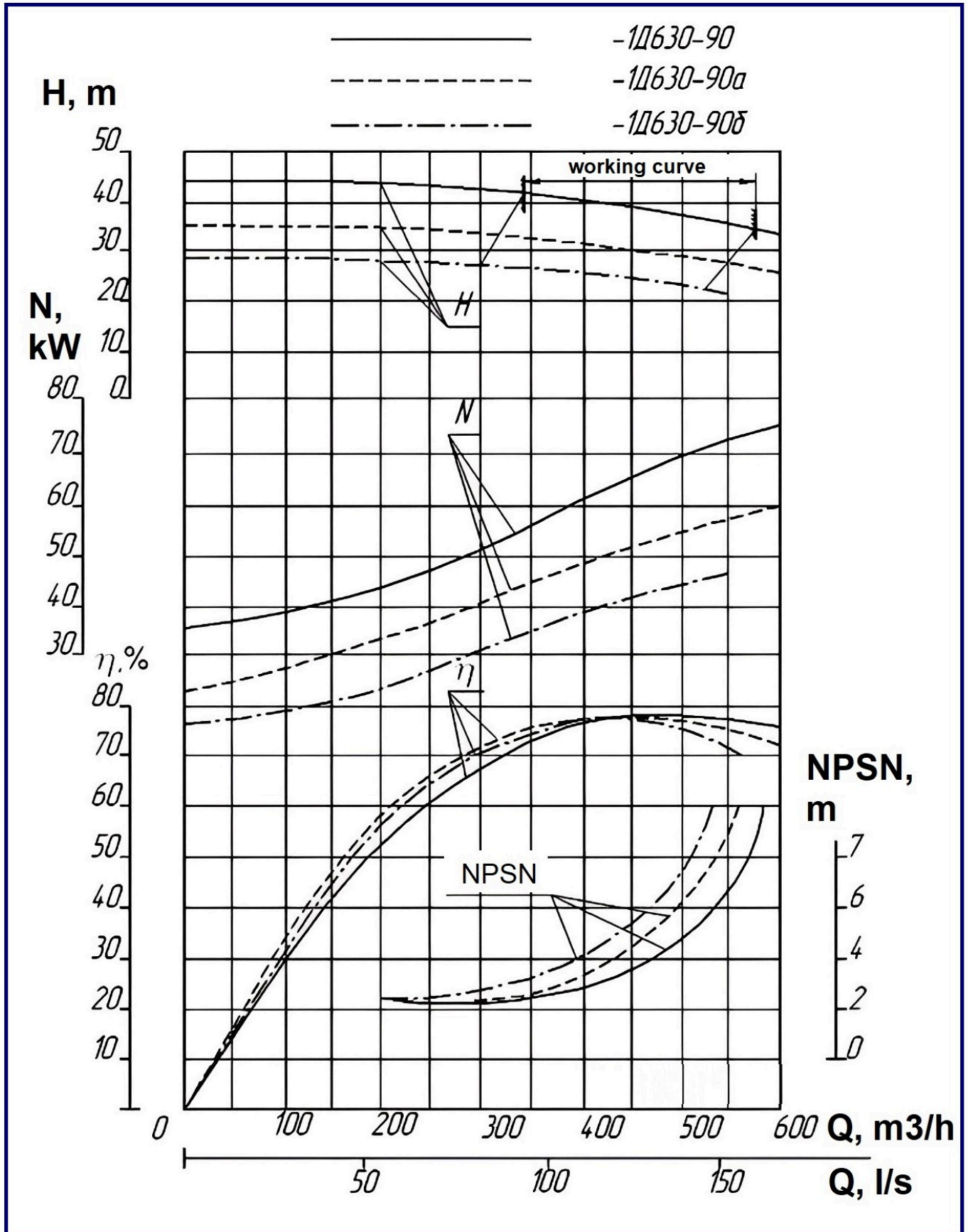
D, 1D SERIES

1D500-63, 1500 rpm



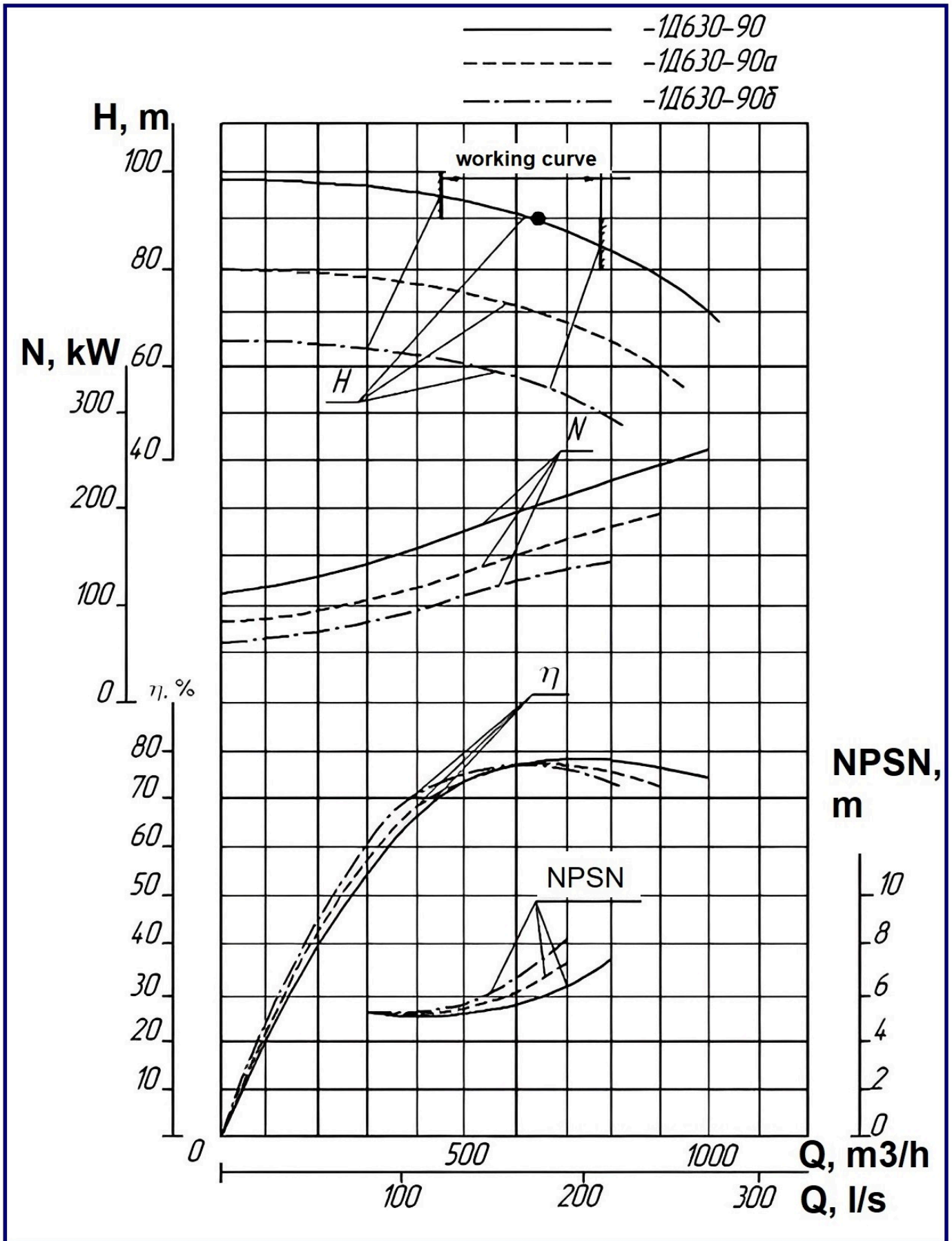
D, 1D SERIES

1D630-90, 1000 rpm



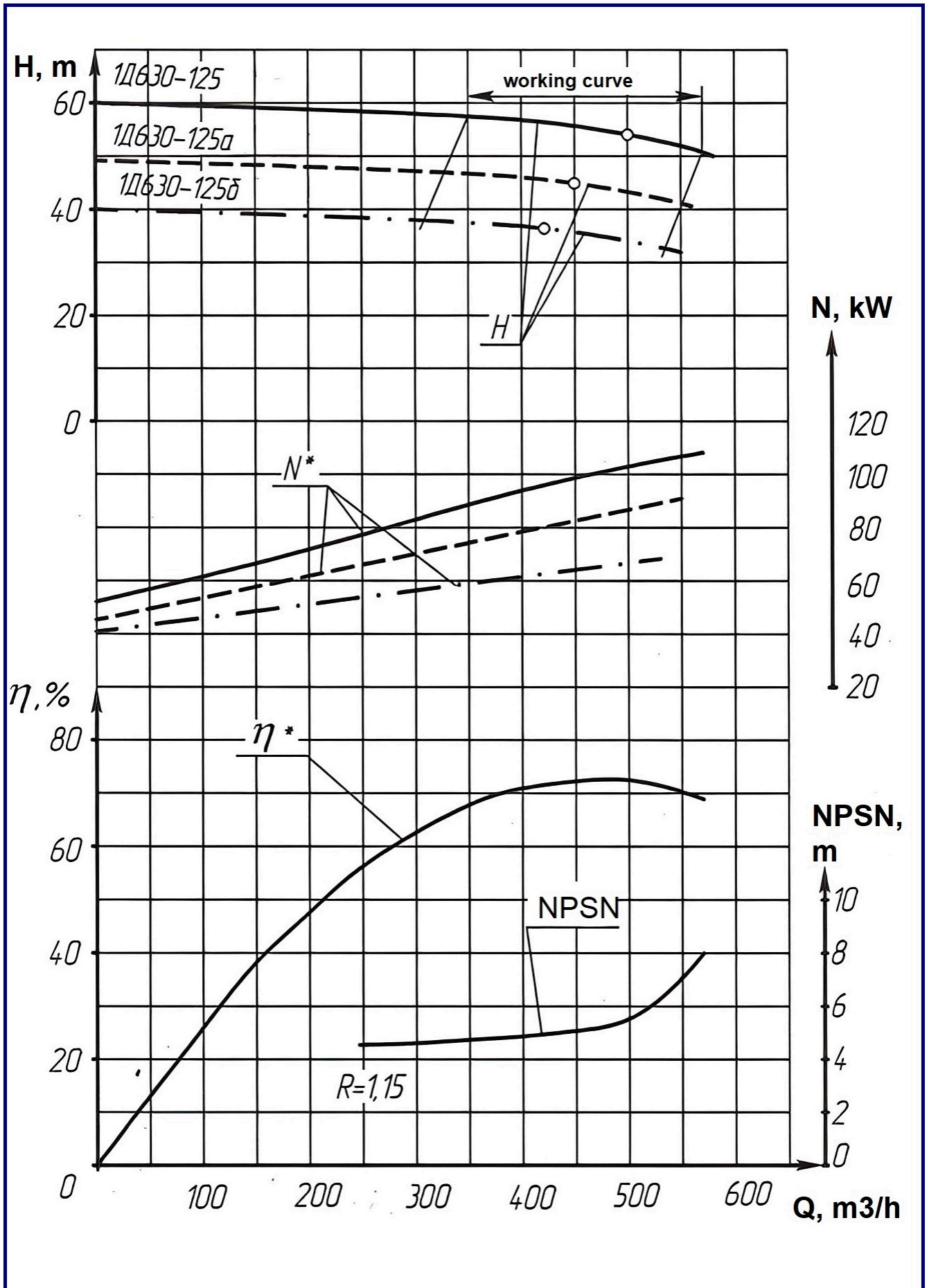
D, 1D SERIES

1D630-90, 1500 rpm



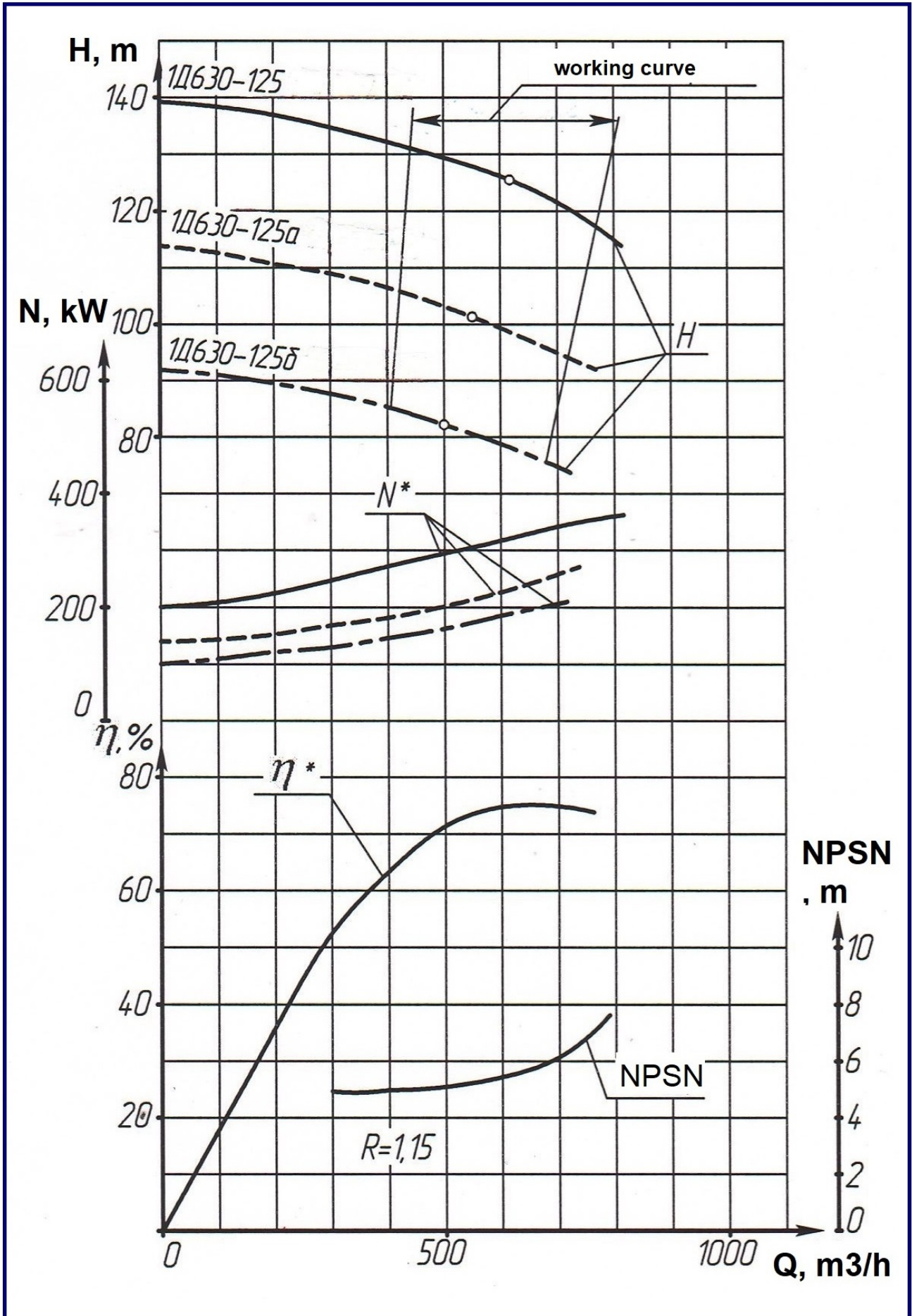
D, 1D SERIES

1D630-125, 1000 rpm



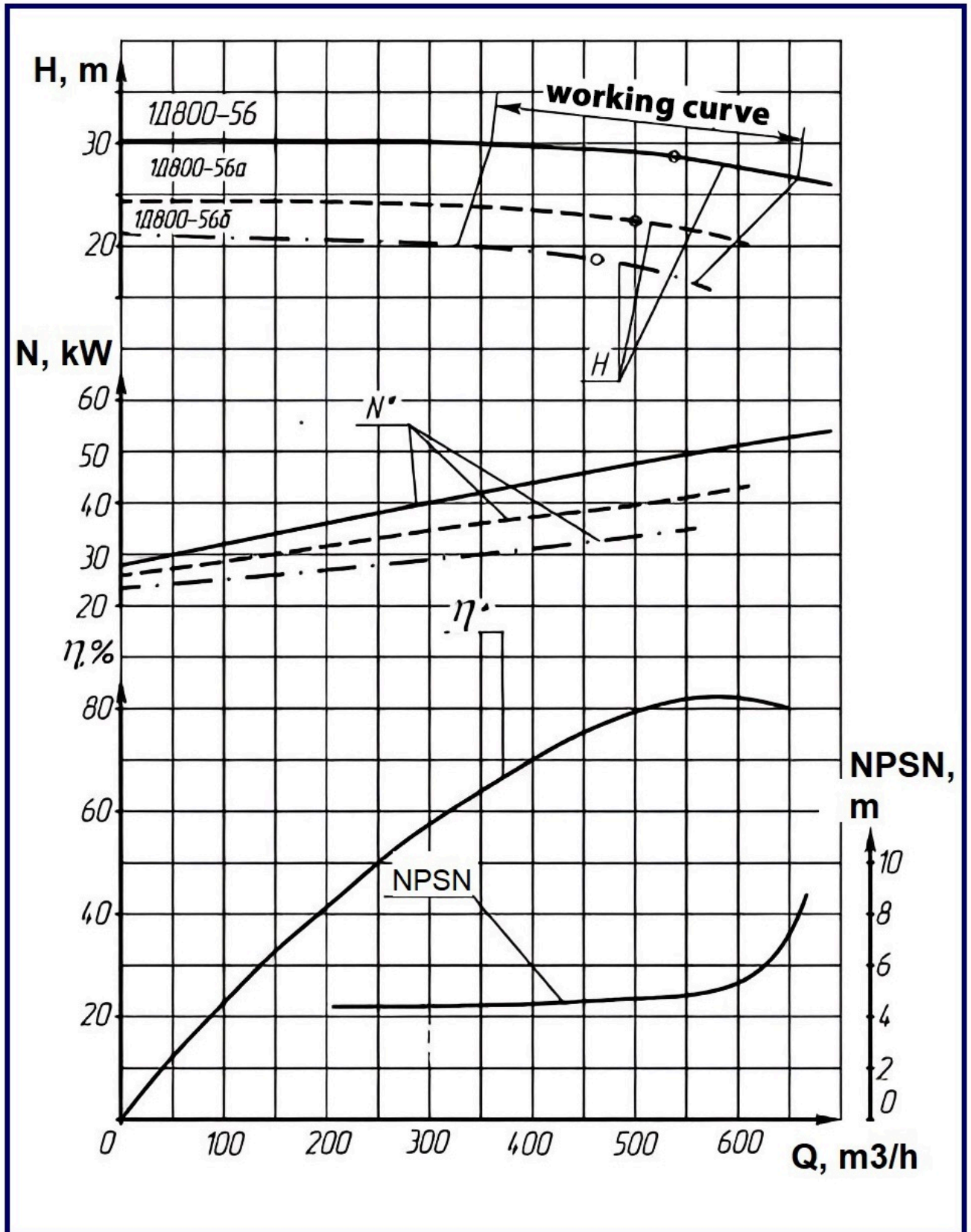
D, 1D SERIES

1D630-125, 1500 rpm



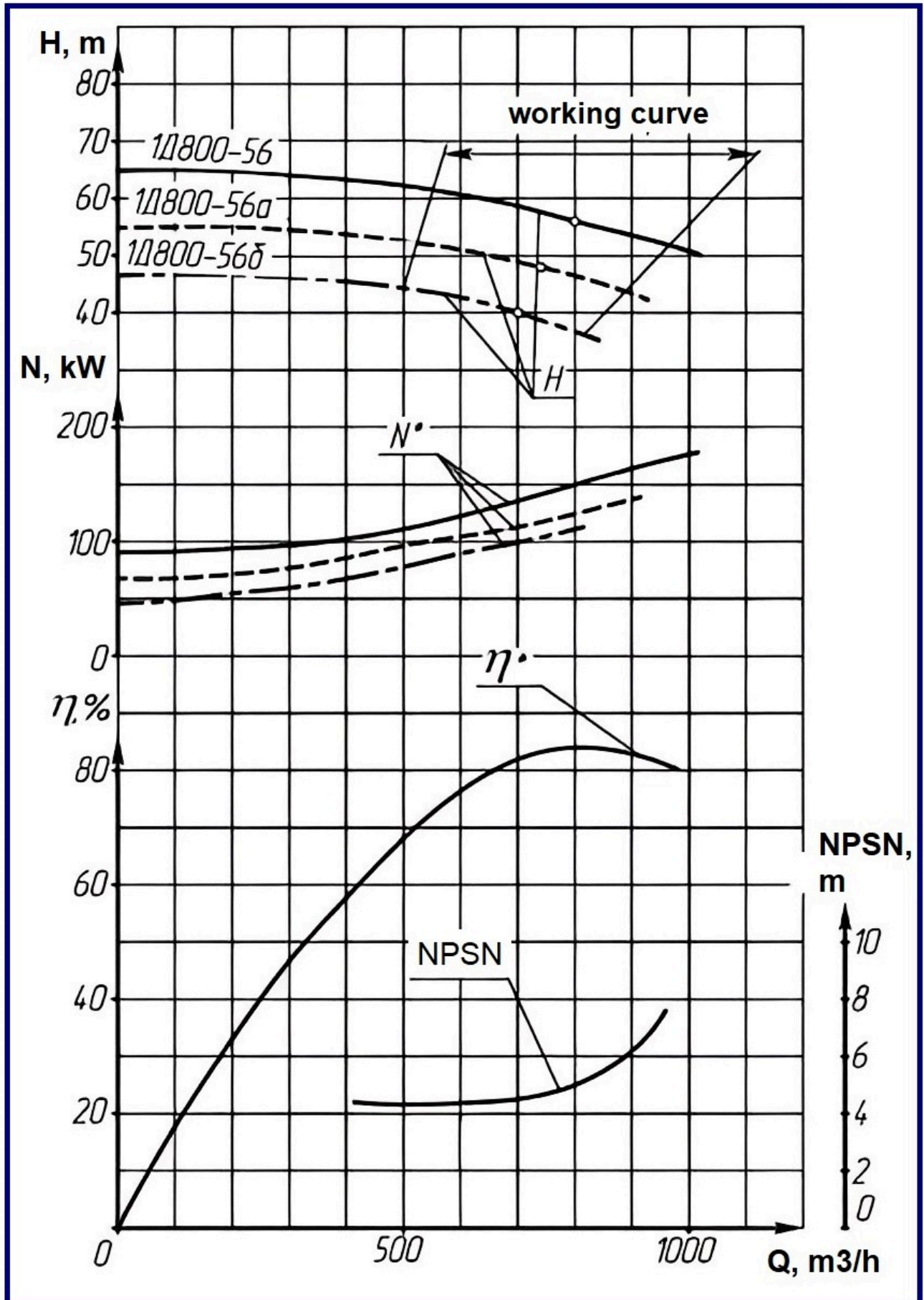
D, 1D SERIES

1D800-56, 1000 rpm



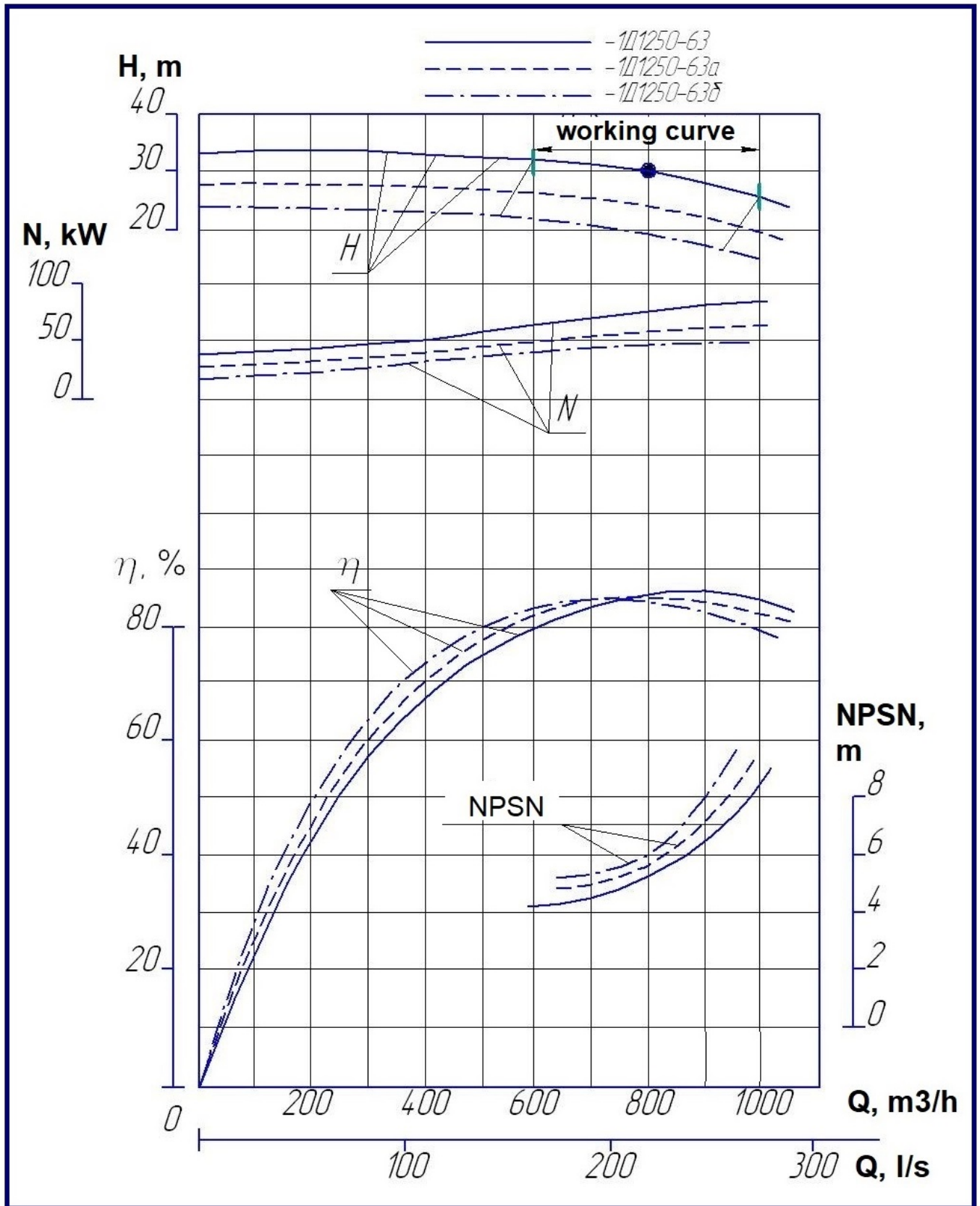
D, 1D SERIES

1D800-56, 1500 rpm



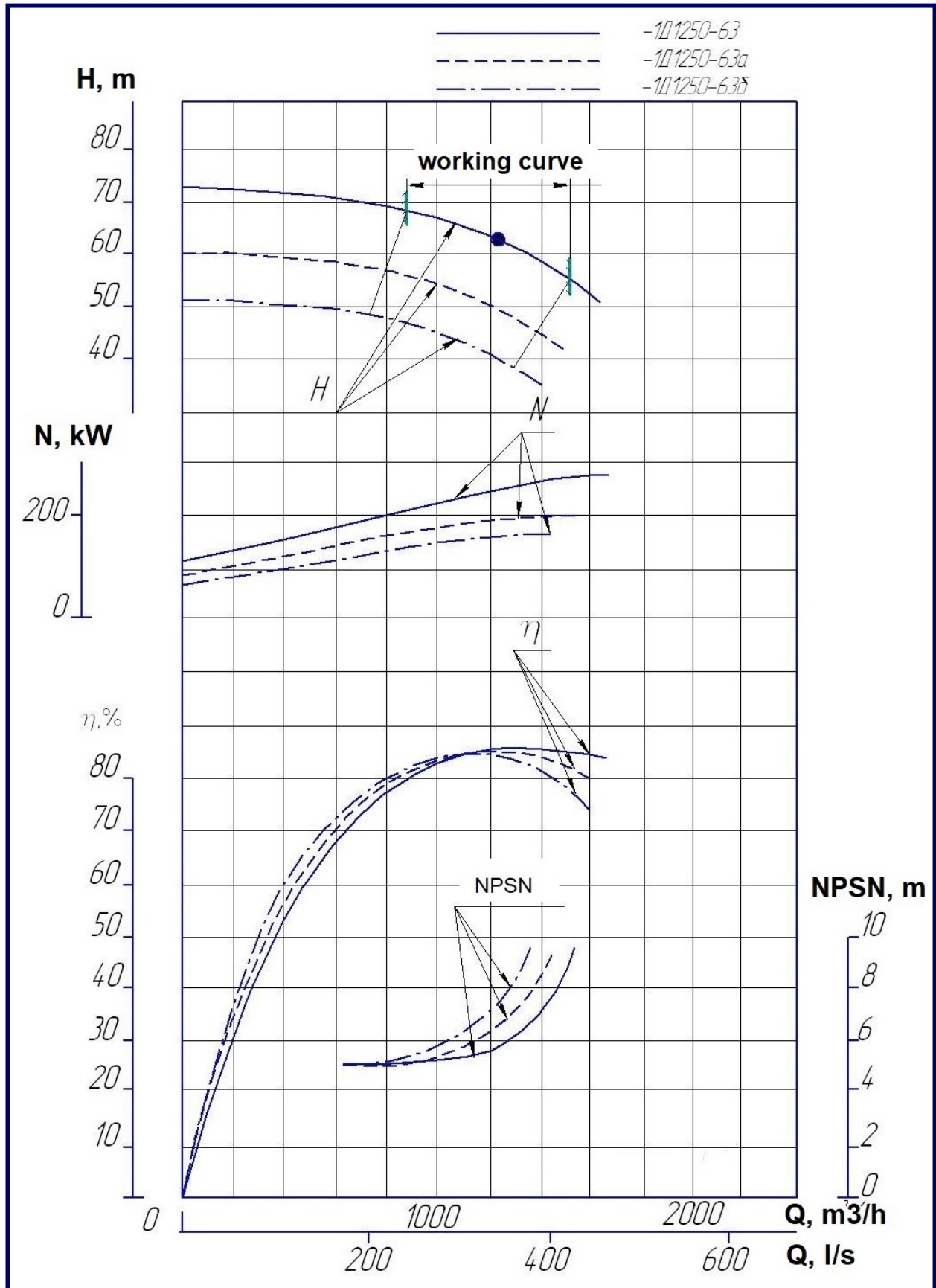
D, 1D SERIES

1D1250-63, 1000 rpm



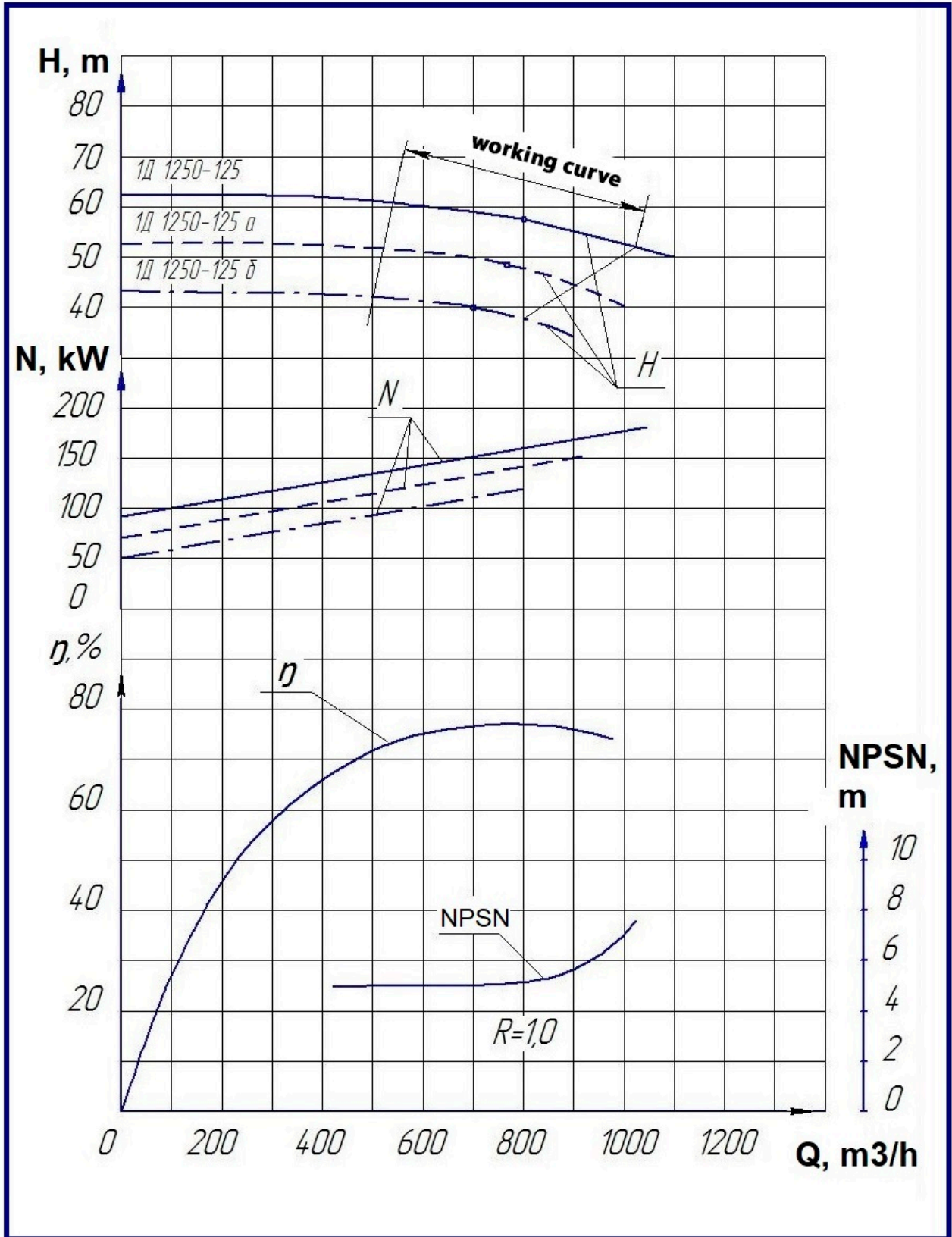
D, 1D SERIES

1D1250-63, 1500 rpm



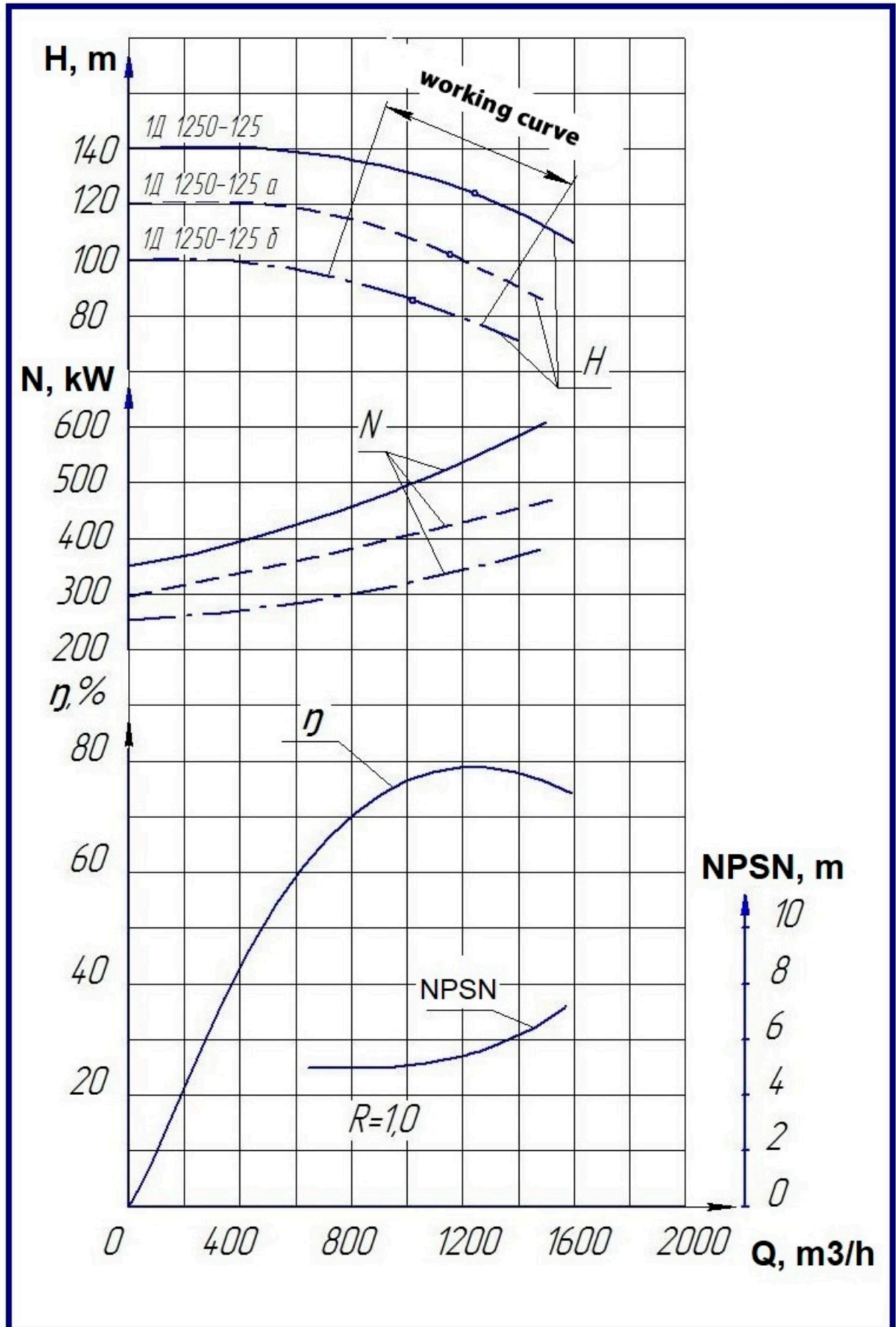
D, 1D SERIES

1D1250-125, 1000 rpm



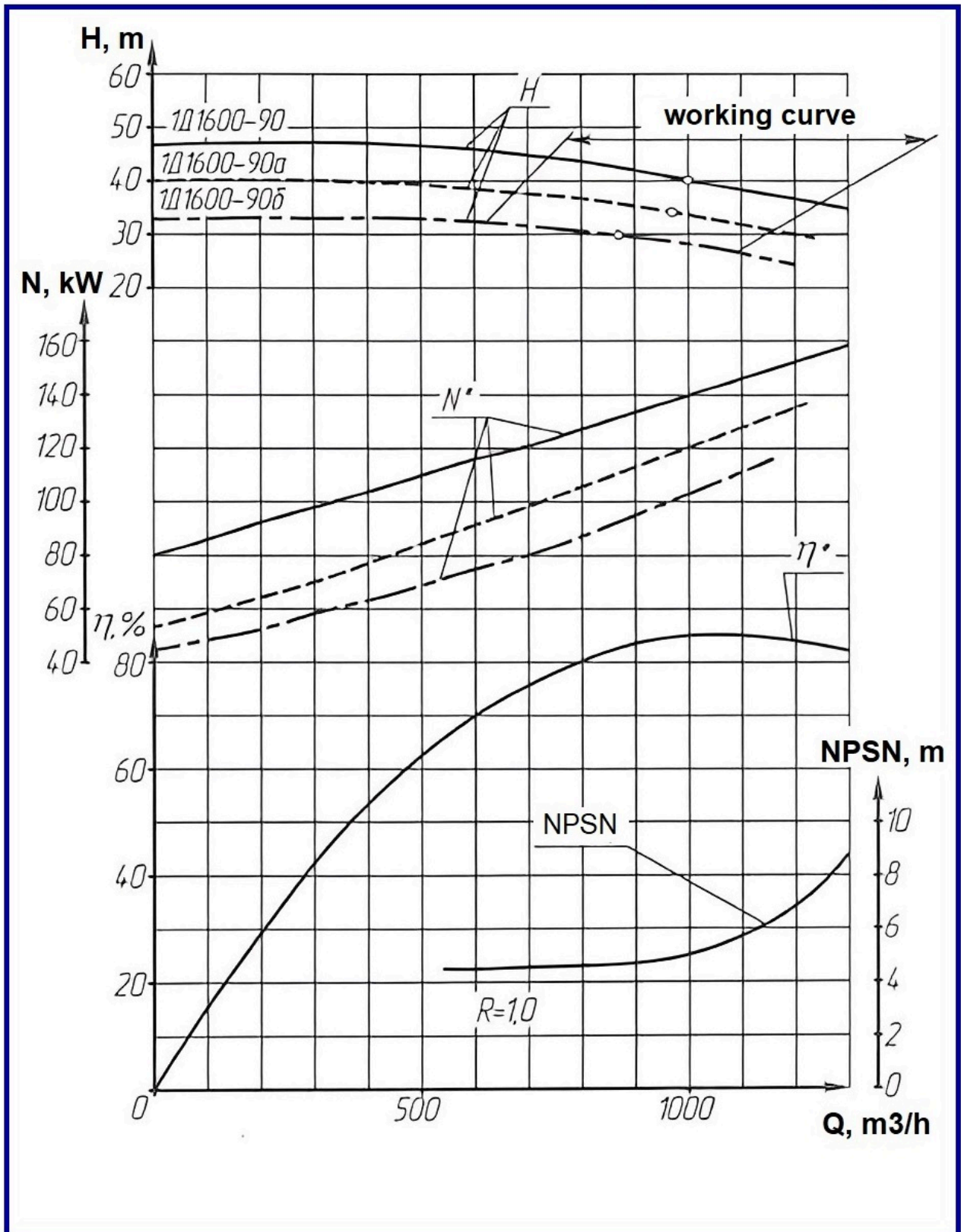
D, 1D SERIES

1D1250-125, 1500 rpm



D, 1D SERIES

1D1600-90, 1000 rpm



D, 1D SERIES

1D1600-90, 1500 rpm

