



QEEHUA[®]

CHEMICAL PUMP & FILTER
WITH ACID-ALKALI RESISTANCE
EXPERT IN R&D AND MANUFACTURING

BTS
ENGINEERING

<https://prom-nasos.pro>

<https://bts.net.ua>

<https://prom-nasos.com.ua>

+38 095 656-37-57

+38 067 360-71-01

+38 063 362-12-31

info@prom-nasos.pro

Magnetic Pump

Model: QHX



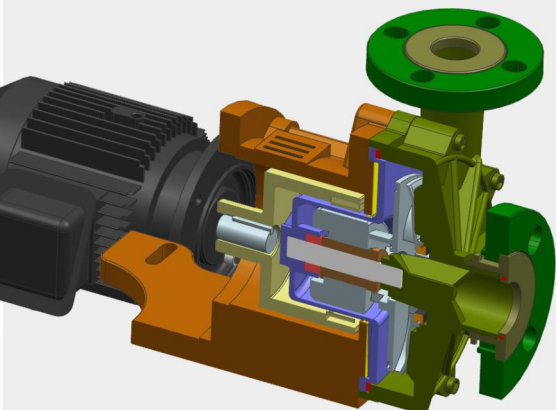
Magnetic pump 【QHX series】

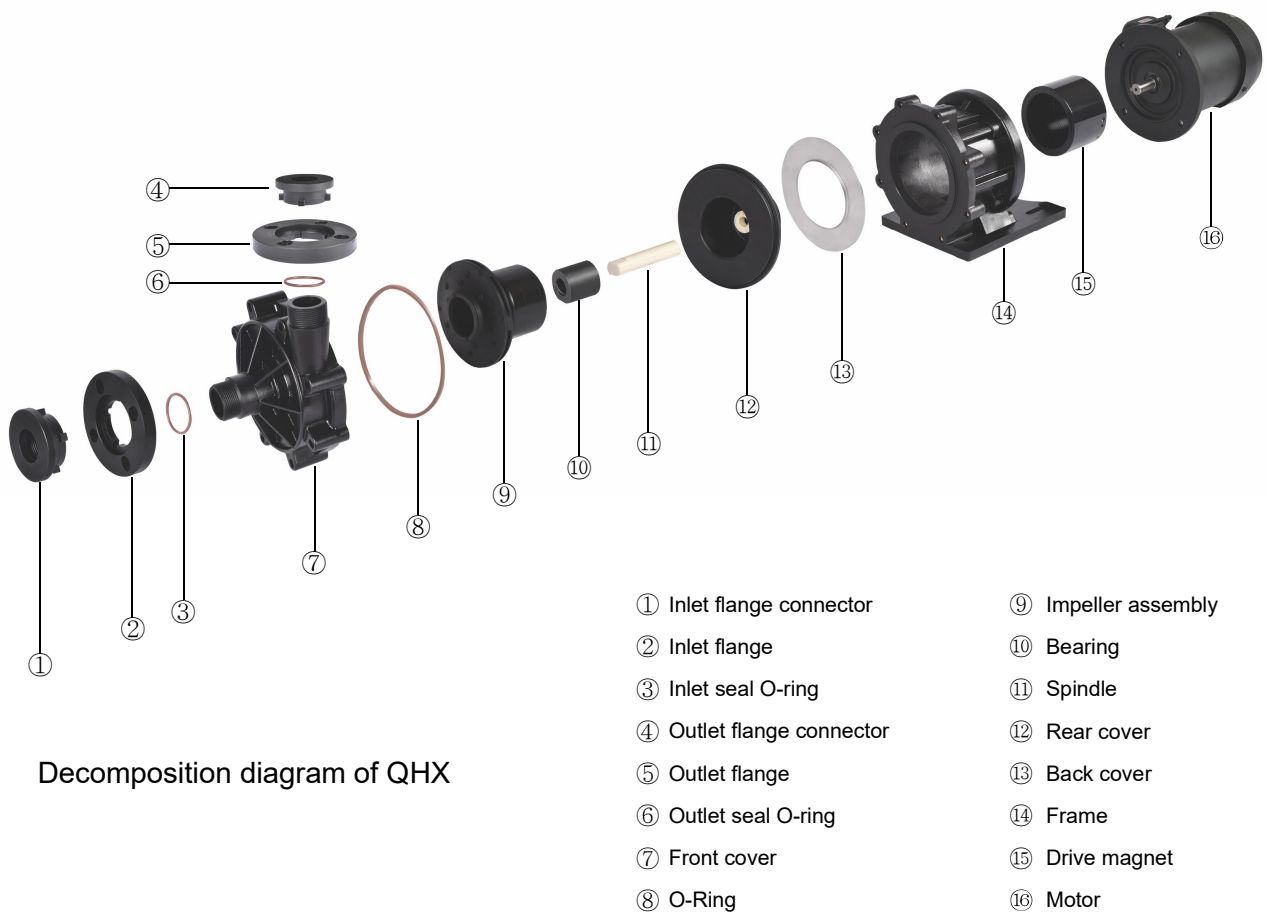
Product characteristics

1. The magnetic pump adopts the non-shaft-seal design, and the pump is completely sealed without leakage;
2. Equipped with anti idling device, so that the magnetic pump will not be damaged in case of no water idling for a long time, and improve the durability of the product;
3. The new design of flow passage can minimize the loss of products and improve the use efficiency
- 4 The applicable temperature shall be determined according to different chemical properties: GFRPP - below 80 ℃, CFRPP - below 80 ℃, PVDF - below 100 ℃, CFRETFE - below 150 ℃ .

Product superiority

1. A variety of connection modes of front cover inlet and outlet are available;
2. The front and rear covers adopt convex point structure and flat gasket sealing ring to ensure excellent sealing effect;
3. Impeller deflection is lower than 0.2mm;
4. Passive magnets and plastic shells are injection molded at one time to ensure that there is no penetration forever;
5. The shaft core is made of 99% alumina and SSIC material;
6. The gasket of the back cover is made of SUS304 material to enhance its temperature resistance and pressure resistance;
7. The connection between the motor and the pump head is a plastic injection molding integrated structure, which can prevent the corrosion of the connection caused by the leakage of acid and alkali gas and liquid;
8. The surface of drive magnet adopts resin paint baking, with better corrosion resistance. After dynamic balance test, the vibration of drive magnet is lower than 2.0mm/s;
9. The motor adopts international brand, with stable performance and ultra-quiet operation.





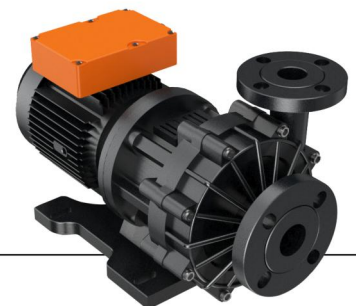
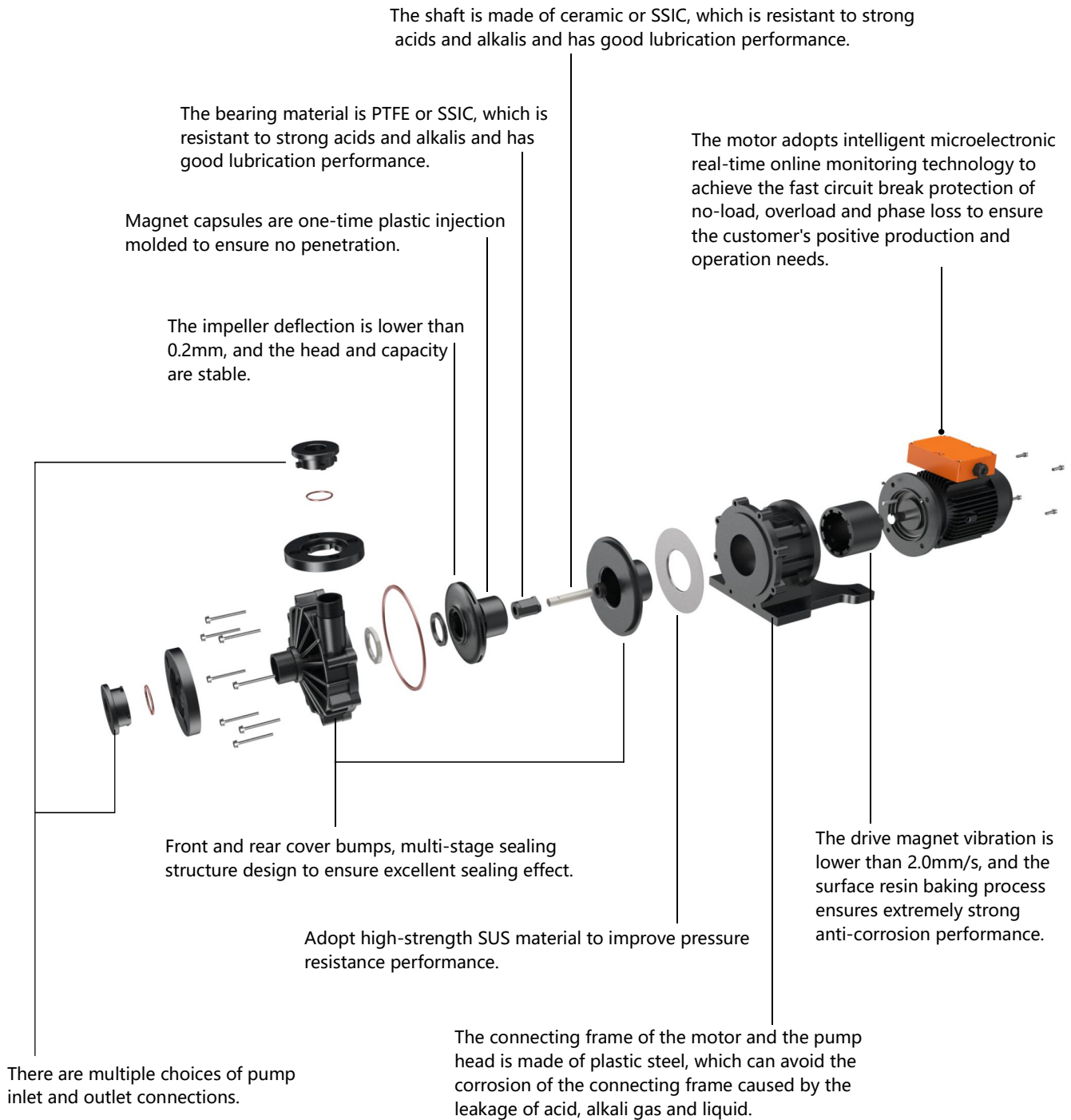
Model description

QHX--F--54--3--C--C--V--5--V38--A

① ② ③ ④ ⑤ ⑥ ⑦ ⑧ ⑨ ⑩

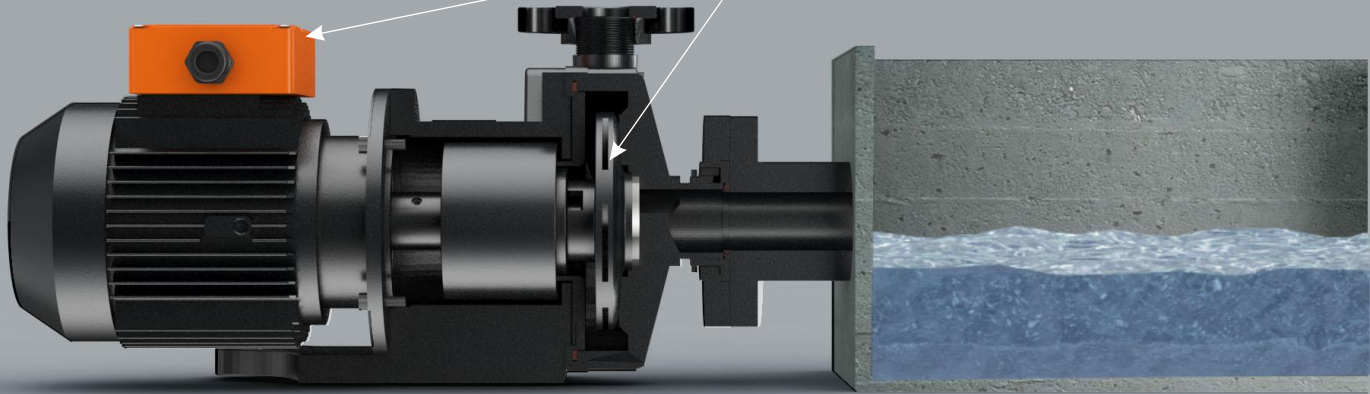
- ① Model No.: QHX
- ② Pump material: F-GFRPP; C-CFRPP; P-PVDF; E-CFRETFE
- ③ Inlet and outlet diameter: 25-25x25mm; 44-40x40mm; 54- 50x40mm; 65-65x50mm; 66-65x65mm;
- ④ Horsepower:0-1/2HP; 1-1HP; 2-2HP; 3-3HP; 5-5HP
- ⑤ Pump shaft material: C-ceramic; S-SSIC
- ⑥ Bearing material: C- graphite; S- SSIC; P- PTFE
- ⑦ O-Ring: E-EP DM; V-VITO N(FKM)
- ⑧ Frequency: 5-50Hz; 6- 60Hz
- ⑨ Voltage: V38-30/220V/380V; V41-30/280V/415V; V44-30/240V/440V
- ⑩ Specific gravity of liquid medicine: 50Hz- -A-1.2 / B-1.5 / C-2.0; 60Hz- -A-1.2 / B-1.5 / C-2.0

Magnetic pumps performance advantage exploded view



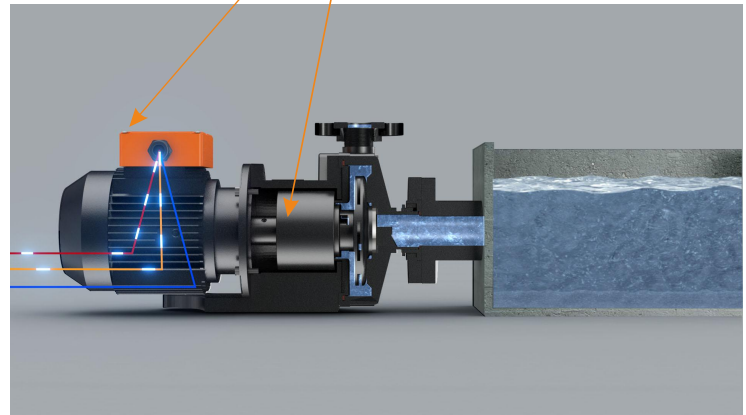
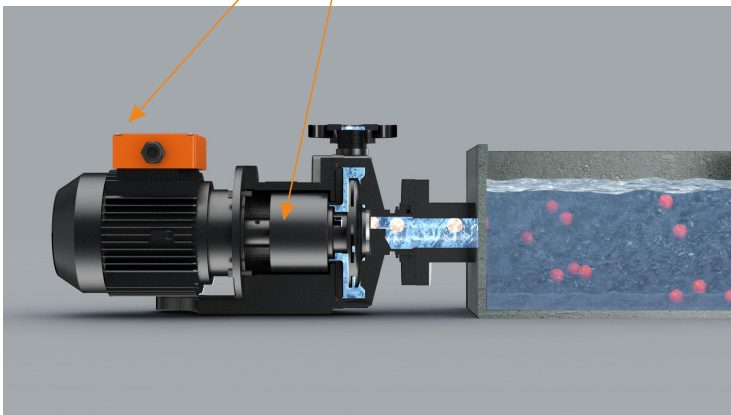
Let's make the world love Chinese pumps!

The magnetic pump is equipped with a microelectronic protector, and adopts intelligent microelectronic real-time online monitoring technology to achieve fast circuit breaking protection of liquid shortage and no load.



The magnetic pump is equipped with a microelectronic protector, using intelligent microelectronic real-time online monitoring technology, when the pump sucks debris, it realizes overload fast circuit breaking protection.

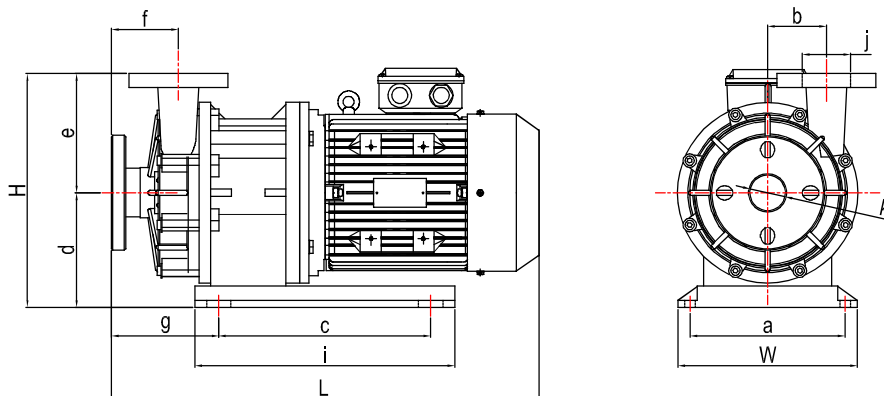
The magnetic pump is equipped with a microelectronic protector, using intelligent microelectronic real-time online monitoring technology, when the pump is phase loss, to achieve.



Product specification

Model	Inlet and outlet diameter (mm)	Max.Head(m)		Max.Capacity(L/min)		Power(HP)	Weight (kg)
		50Hz	60Hz	50Hz	60Hz		
QHX-250	25/25	14.8	13.13	95	70	0.5	14.5
QHX-251	25/25	19.97	20.56	125	125	1	19.1
QHX-252	25/25	29.67	29.85	148	146	2	22.5
QHX-440	40/40	11.13	10.54	236	231	0.5	13.3
QHX-441	40/40	17	14.56	283	275	1	19
QHX-542	50/40	20.39	21.58	369	359	2	25.7
QHX-542H	50/40	24.81	26.39	316	316	2	25.7
QHX-543	50/40	26.24	26.82	474	416	3	27.9
QHX-543H	50/40	33.31	33.98	348	374	3	27.9
QHX-545	50/40	36.4	37.65	450	494	5	38.6
QHX-552	50/50	19.49	18.58	467	430	2	26.5
QHX-553	50/50	23.14	23.69	533	529	3	28
QHX-555	50/50	32.21	34.34	572	600	5	34.4
QHX-652	65/50	15.23	14.35	536	483	2	27.4
QHX-653	65/50	18.25	17.41	594	553	3	29.6
QHX-655	65/50	25.49	26.86	702	707	5	39
QHX-662	65/65	10.76	10.92	718	694	2	27.7
QHX-663	65/65	13.71	13.03	783	710	3	29.2
QHX-665	65/65	20.20	19.57	1101	1067	5	39.2

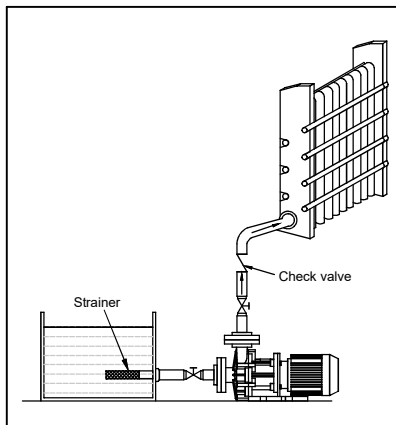
Size specification



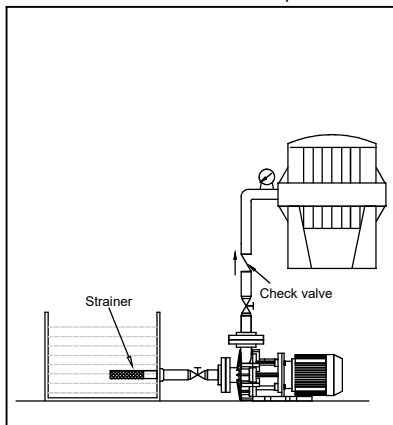
Model	L	H	W	a	b	c	d	e	f	g	i	j	k
QHX-250	442	257	190	146	68	132	117	140	90	168	210	∅20.0	∅20.0
QHX-251	489	257	192	127	68	131	117	140	90	163	214	∅20.0	∅20.0
QHX-252	529	282	260	208	86	200	120	162	88	147	266	∅20.0	∅20.0
QHX-440	443	230	155	130	55	158	98	132	86	165	205	∅36.5	∅36.5
QHX-441	504	257	194	128	72	135	113	144	105	177	219	∅36.5	∅36.5
QHX-542	554	286	261	207.5	80	200	120.5	165.5	96.5	160	275	∅36.5	∅44.0
QHX-542H	554	286	261	207.5	80	200	120.5	165.5	96.5	160	275	∅36.5	∅44.0
QHX-543	554	286	261	207.5	80	200	120.5	165.5	96.5	160	275	∅36.5	∅44.0
QHX-543H	554	286	261	207.5	80	200	120.5	165.5	96.5	160	275	∅36.5	∅44.0
QHX-545	613	322	250	216	80	295	160	162	98	165	360	∅36.5	∅44.0
QHX-552	554	283	261	207.5	80	200	120.5	162.5	95	160	275	∅44.0	∅44.0
QHX-553	554	283	261	207.5	80	200	120.5	162.5	95	160	275	∅44.0	∅44.0
QHX-555	613	322	250	216	80	295	160	162	98	165	360	∅44.0	∅44.0
QHX-652	562	333	250	216	80	295	158	175	98	168	360	∅44.0	∅65.5
QHX-653	562	333	250	216	80	295	158	175	98	168	360	∅44.0	∅65.5
QHX-655	613	333	250	216	80	295	158	175	98	168	360	∅44.0	∅65.5
QHX-662	550	330	250	216	80	295	160	170	98	168	360	∅65.5	∅65.5
QHX-663	550	330	250	216	80	295	160	170	98	168	360	∅65.5	∅65.5
QHX-665	630	333	250	216	80	295	158	175	98	177	360	∅65.5	∅65.5

Installation diagram

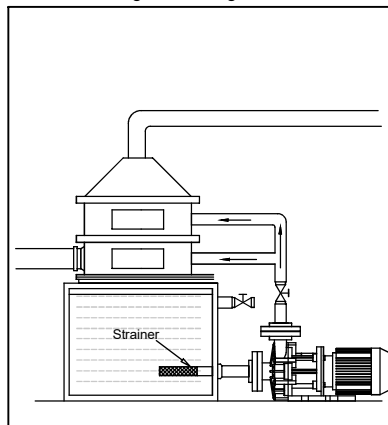
Used in heat exchanger



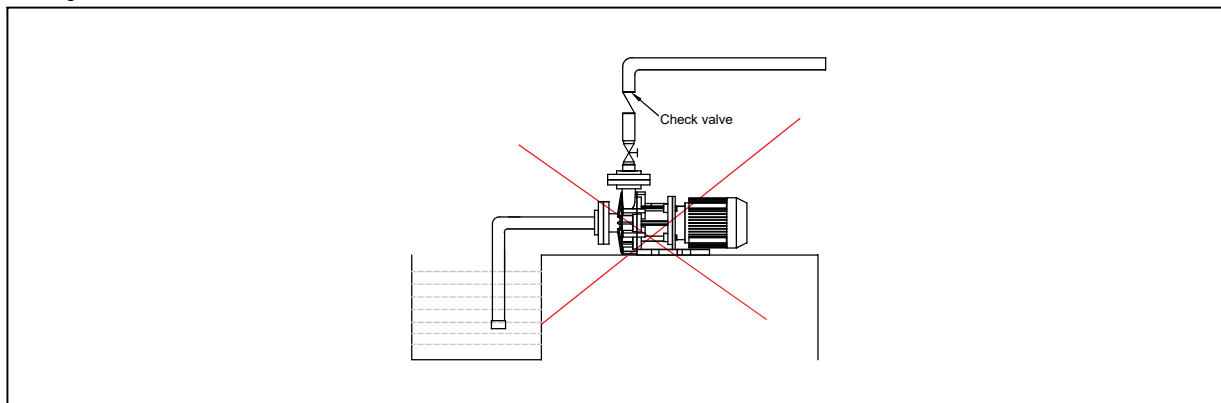
Used in reaction tank or filter compressor



Used in waste gas cleaning tower



Warning: incorrect use



Precautions for safe operation

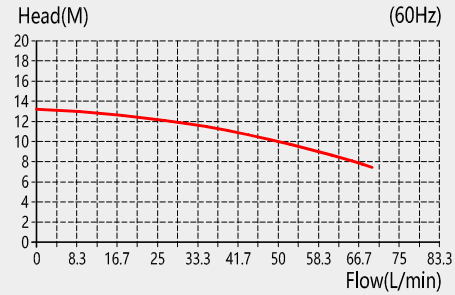
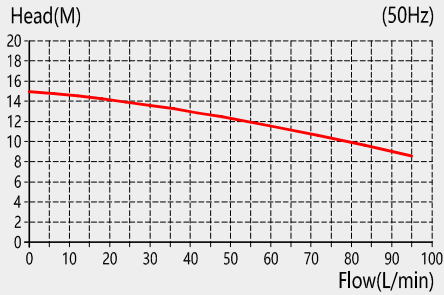
1. Safety warning!

- ① Running without cutting off the power will cause electric shock!
- ② Do not start the pump without connecting the ground wire and leakage protector!
- ③ Electrician operation should be carried out by professional personnel!
- ④ When operating the pump, please wear protective equipment to prevent serious injury caused by chemical solution!
- ⑤ Operations related to toxic liquids may cause poisoning!
- ⑥ Use the pump in strict accordance with the instructions and scope of use!
- ⑦ During operation, the surface temperature of motor and pump is very high, do not touch directly!
- ⑧ It is forbidden to transform the pump without permission, otherwise serious accidents will be caused. If the pump is modified without permission or in accordance with the operating instructions, the company will not bear any loss caused by the user!
- ⑨ There is a strong magnet in the magnetic drive pump. Its strong magnetic field will cause obvious damage to the person wearing the electronic device (i.e. electronic pacemaker, etc.)!

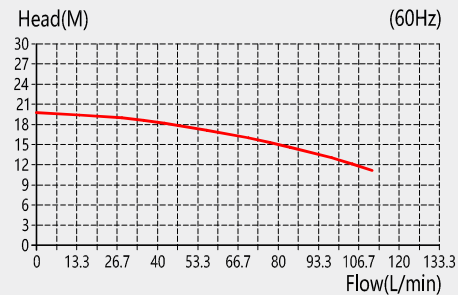
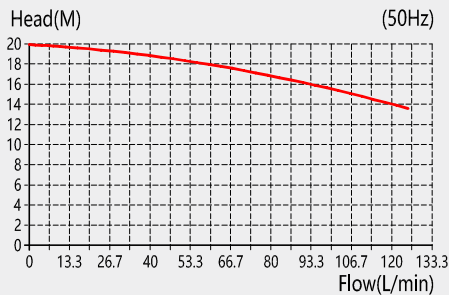
2. Important note!

- ① No idling of the pump. The idling of the pump can make the parts inside the pump heat up by friction, which will damage the pump. Pump operation with suction valve fully closed is also considered as idling.
- ② In the process of operation, when dangerous signals and abnormal conditions are found, the operation shall be terminated immediately, and it shall be started after the exception is eliminated.
- ③ The operation and use of the pump must be carried out by qualified operators.
- ④ The pump is only allowed to be used under the specified voltage, otherwise the pump will be damaged or fire will be caused.
- ⑤ The use place of the pump shall be equipped with protective measures to prevent liquid splashing or leakage.
- ⑥ Operations related to toxic liquids may cause poisoning, so it is necessary to ensure adequate ventilation at the operation site.
- ⑦ Do not scrape, damage, squeeze or stretch the cable with force. The use of damaged cables is likely to cause fire or electric shock.
- ⑧ The covered pump is easy to cause fire or mechanical failure due to internal heat accumulation during operation.
- ⑨ When a pump is under maintenance, pay attention to avoid other operators turning on the power supply switch due to mistakes. It is better to place a warning sign beside the power supply switch to inform that the pump is under maintenance.
- ⑩ The liquid from the pump may be highly toxic and harmful chemicals, which must be drained to a special container for storage.

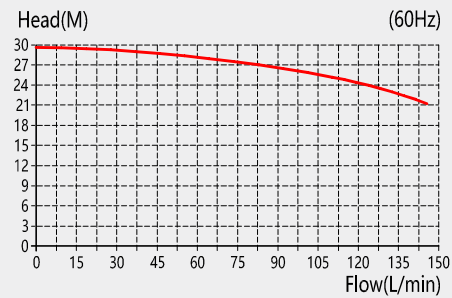
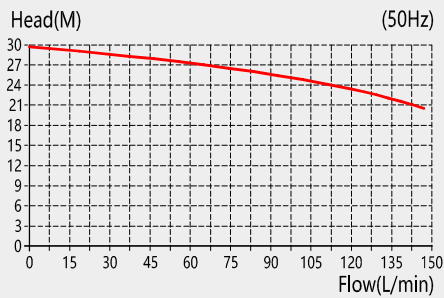
QHX-250 Performance curve



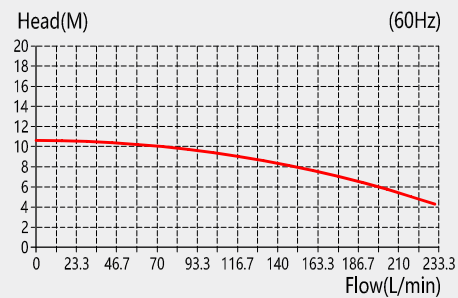
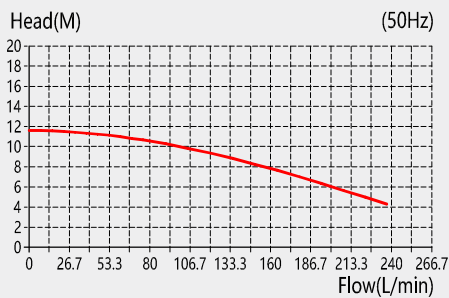
QHX-251 Performance curve



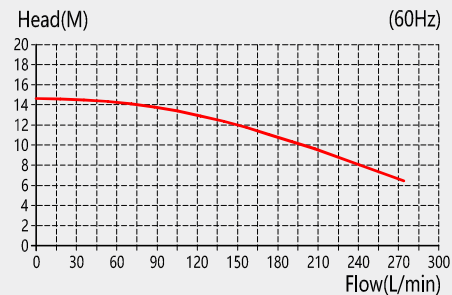
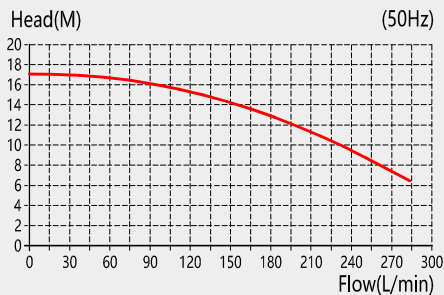
QHX-252 Performance curve



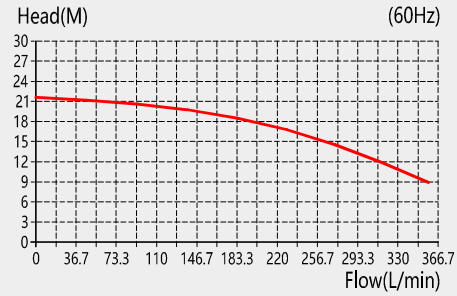
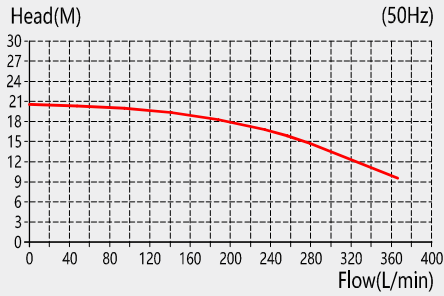
QHX-440 Performance curve



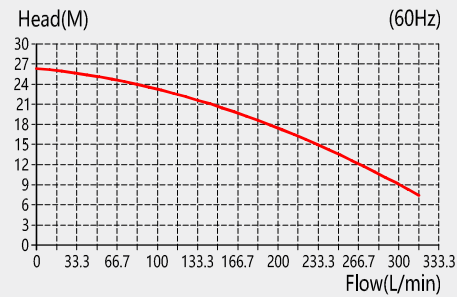
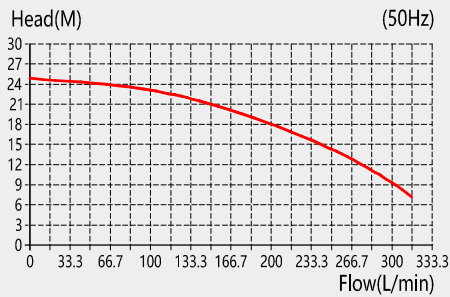
QHX-441 Performance curve



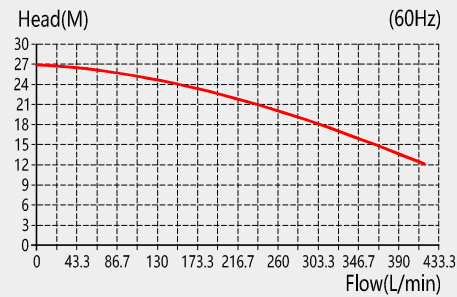
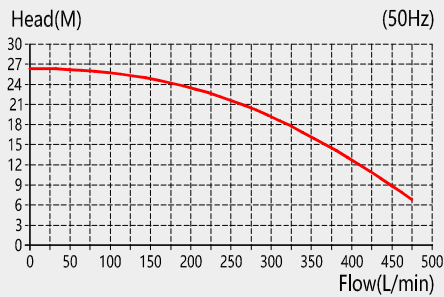
QHX-542 Performance curve



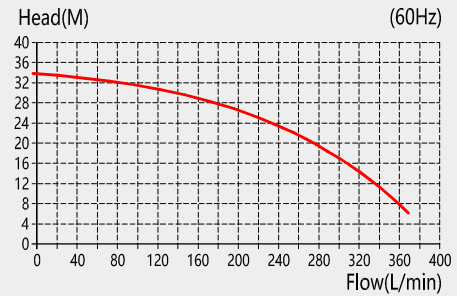
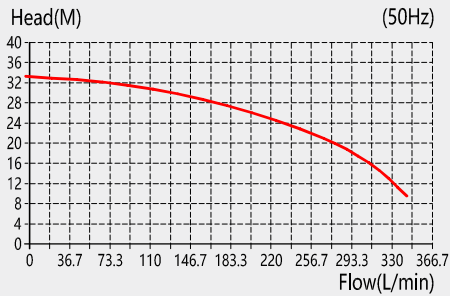
QHX-542H Performance curve



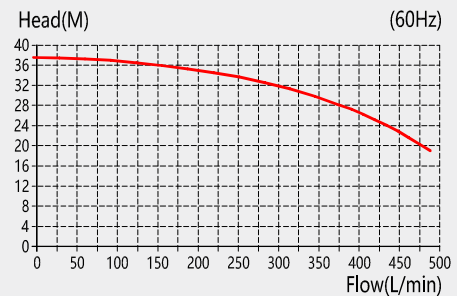
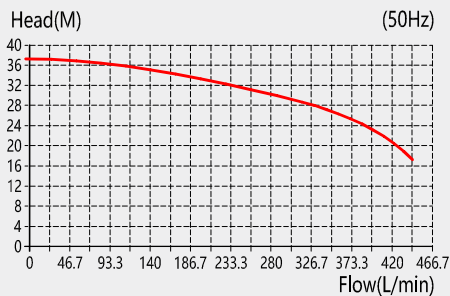
QHX-543 Performance curve



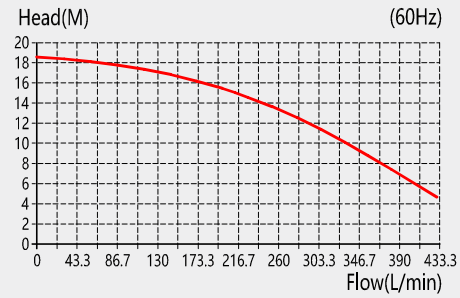
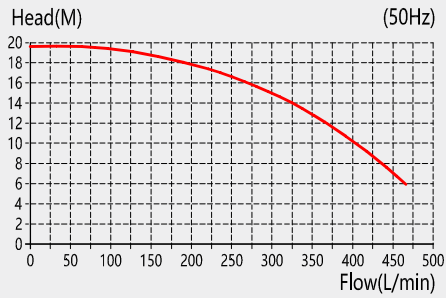
QHX-543H Performance curve



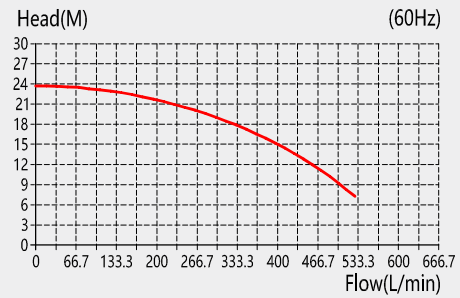
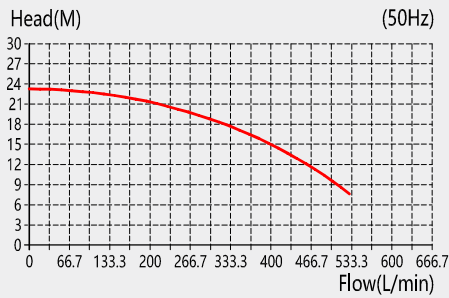
QHX-545 Performance curve



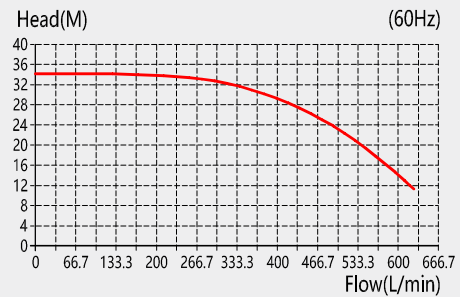
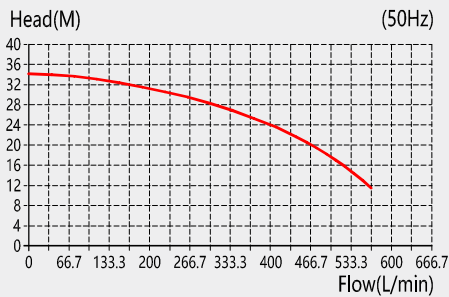
QHX-552 Performance curve



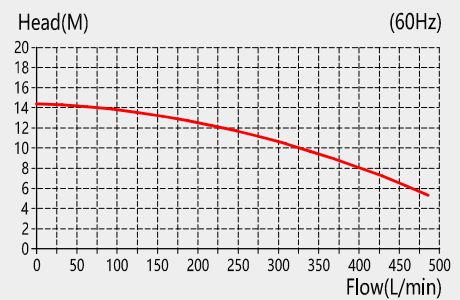
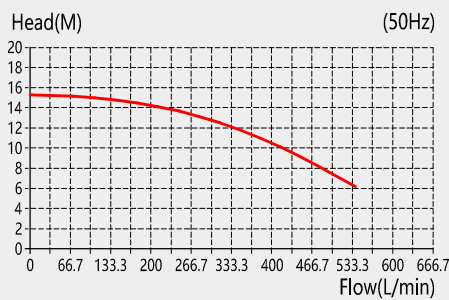
QHX-553 Performance curve



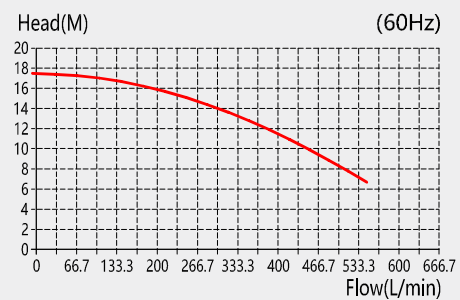
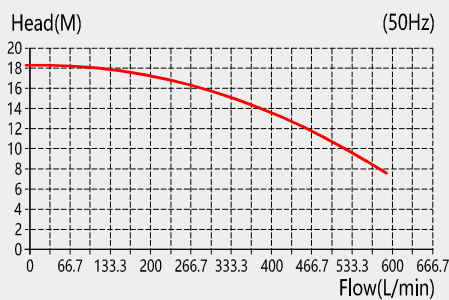
QHX-555 Performance curve



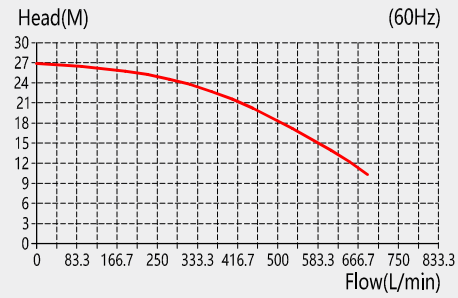
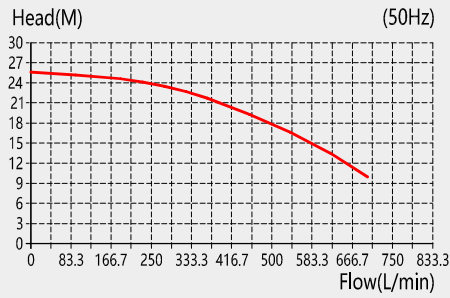
QHX-652 Performance curve



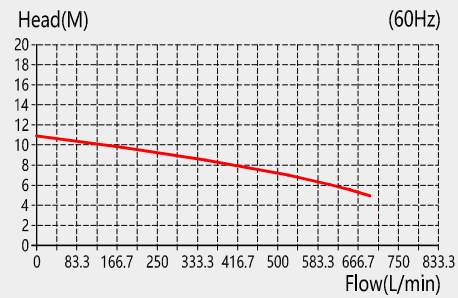
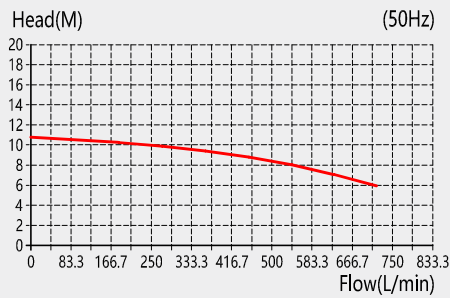
QHX-653 Performance curve



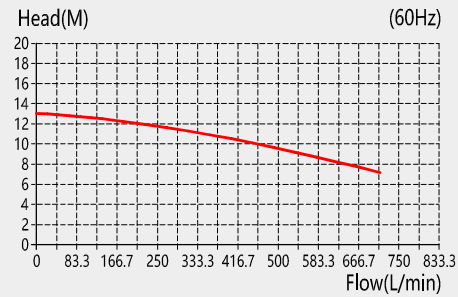
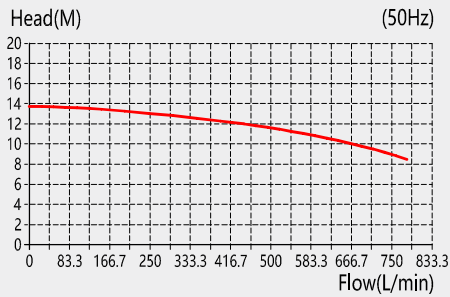
QHX-655 Performance curve



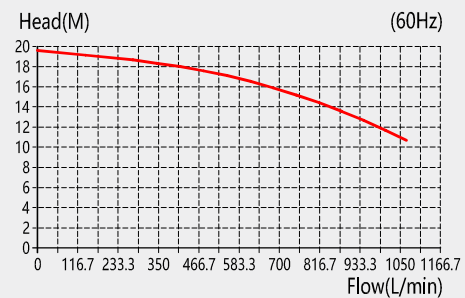
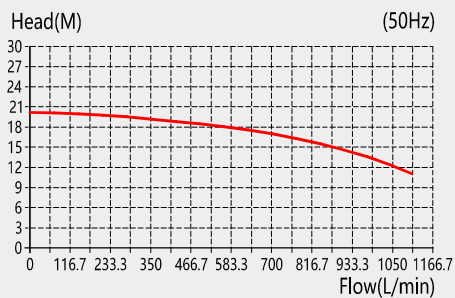
QHX-662 Performance curve



QHX-663 Performance curve



QHX-665 Performance curve



1. High cost performance:

Independent production, stable quality and controllable cost.

2. Excellent product performance:

Corrosion resistance, idling resistance, no leakage, low noise, high efficiency, surface corrosion resistance, durable.

3. Advanced product technology:

Cooperate with colleges and universities to carry out production, learning and research activities, master cutting-edge technology, and constantly make breakthroughs in the direction of low energy consumption and high efficiency. At present, the unique technology includes: 4P motor magnetic pump addresses the problem of rapid temperature rise of liquid medicine, and intelligent monitoring addresses the problem of idling.

4. Continuous upgrading of materials:

Imported CFRETFE material is resistant to strong acid, strong alkali and high temperature.

5. Rich product categories:

It can be upgraded to replace all kinds of old equipment.

6. Strong qualification:

Patented technology, CE, SGS quality certification of European Union, government designated supplier



**Magnetic
Pump
QHX**