



Every Day We are IN your life!

BTS
ENGINEERING

<https://prom-nasos.pro>

<https://bts.net.ua>

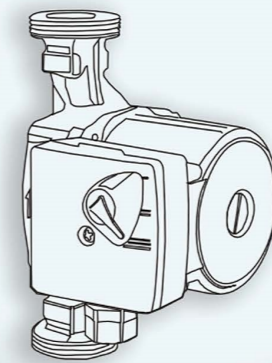
<https://prom-nasos.com.ua>

+38 095 656-37-57,

+38 067 360-71-01,

+38 063 362-12-31,

info@prom-nasos.pro



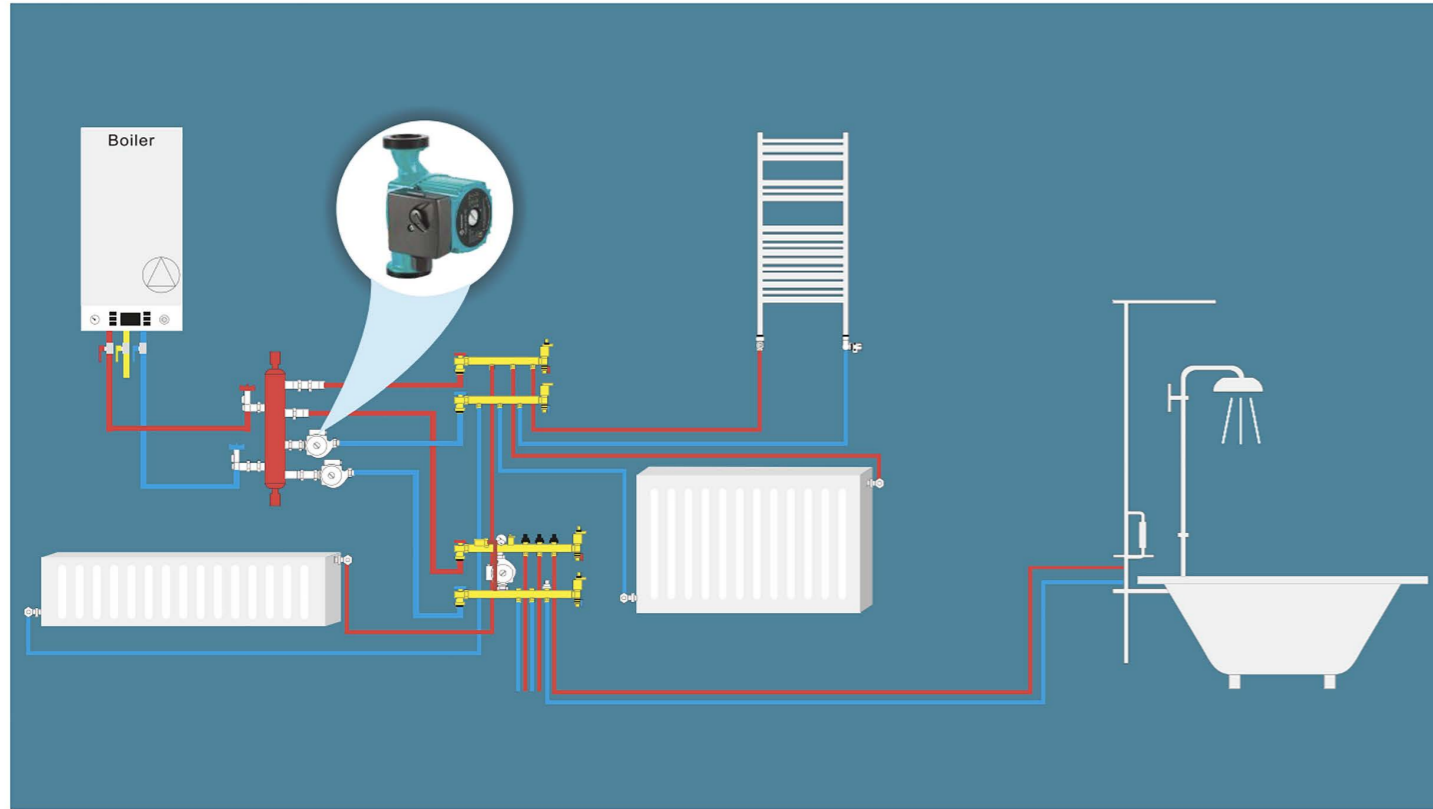
● **Booster Pump Series** ● **Circulating Pump Series** ● **Intelligent Pump Series** ●

CE ISO 9001



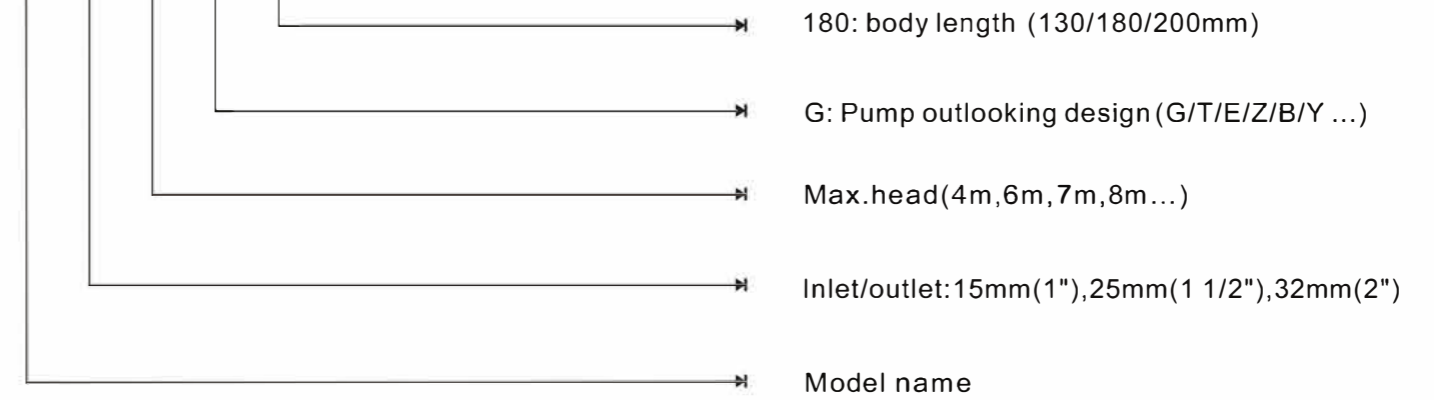
Table Of Contents

Scenario Application		HRS25/12-180	20	HRS600EA-DN40	39
BOOSTER PUMP SERIES	10	HRS25/7-130			
01	HRS20/12Z			HRS25/15-180	21
		11	HRS25/7-180		HRS25/4EAY
					41
02	HRS12/9			HRS25/6GF HRS40/8GF	22
		12	HRS32/7-180		HRS25/8EAX
					43
03	HRS12/10			HGF370 HGR550-DN40	23
		13	HRS 15/8-180		Scenario Application
					45
CIRCULATING PUMP SERIES					
04	HRS15/4-130 HRS15/6-130	14	HRS25/8-180		Summary
					25
					HPF204 HPF204H
					46
05	HRS20/4-130 HRS20/6-130	15	HRS32/8-180		INTELLIGENT PUMP SERIES
					Scenario Application
					27
					HGZ15-45EA-A HGZ15-45EA-B
					47
06	HRS25/4-130 HRS25/6-130	16	HRS25/8G-180		HRS12/1.2EM
					28
					HGZ15-35EA-A HGZ15-35EA-B
					49
07	HRS25/4-180 HRS25/6-180	17	HRS32/8G-180		HRS15/4EA HRS15/4EAB
					29
					HGZ15-20EA
					51
08	HRS32/4-180 HRS32/6-180	18	HRS20/11-180		HRS25/8EA HRS25/10EA
					33
					World Map
					52
09	HRS15/7-130	19	HRS20/12-180		HRS15/4EAD HRS15/5EAD
					35



MODEL EXPLANATION:

HRS25 / 6 - G 180



- Example:RS25/6G-180 is small circulation pump with cast-iron body, 25inlet/outlet,6m head, 180mm body length

Our pump has several different designs for customer chose. Each design is only the different of outlooking, no affection on performance and quality. All spare parts and material are the same. The popular model types are: G type,T type,E type.

OPERATION CONDITION:

1. Apply to heating system
2. Max. system pressure:10bar /Circulation Pump; 6bar/Booster Pump
3. Operation condition:
 - Ambient Temperature:0°C~40°C
 - Ambient Humidity:95%
 - Liquid Tempreture:-10°C~+110°C/Circulation Pump; -10°C~+95°C/Booster Pump
 - Ambient temperature must be lower than liquid temperature, in order to avoid condensate water produced in the interior of stator.
4. Liquid : Clean, non-coorosive and non-explosive liquids, without any particle , fiber or mineral oil. Water/glycol mixtures max. mixing ratio: 1:1
5. Dry running no more than 10s.





HRS20/12Z



HRS20/12ZS

Applications

Low noise automatic booster pump, suitable for cold and hot water pressurization in small and medium-sized apartment, such as: water supply low pressure in roof tank, low pressure of solar water outlet, gas water heater won't turn on, low tap water pressure etc.

Operating conditions

Maximum fluid temperature up to +95°C
Water/glycol mixtures max. mixing ratio 1:1
Max. working pressure 6bar

Motor and Pump

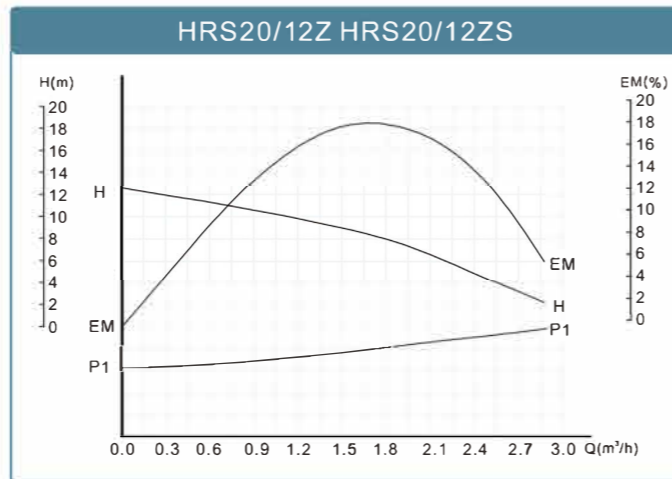
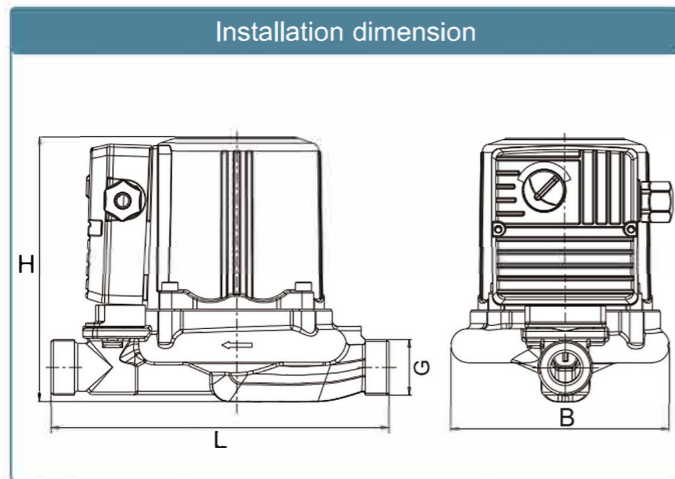
Copper winding
Built-in thermal protector
Ceramic shaft
Ceramic bearing
PP impeller
Male tab connection or with cable and plug
Supply brass connector (1" to 3/4") for each unit
Built-in brass flow meter
Degree of protection IP44
Insulation class F

Options on request

Different cable length and plug
Voltage and frequency 50Hz or 60Hz

Warranty: 1 year

(According to our general sales conditions).



Technical Parameter

Model	Power (W)	Max. Flow (m ³ /h)	Max. Head (m)	Voltage			Pump housing design			Dimension (mm)				Weight (Kg)
				220V/ 50Hz	220V/ 60Hz	127V/ 60Hz	G type	T type	E type	L	B	H	G	
HRS20/12Z	275	3.1	12	★	★	★	★	★	★	200	130	156	1"	4.5
HRS20/12ZS							★	★	★	200	130	156	1"	4.3



HRS12/9G



HRS12/9GP



HRS12/9GS



HRS12/9GB

Applications

Low noise automatic booster pump, suitable for cold and hot water pressurization in small and medium-sized apartment, such as: water supply low pressure in roof tank, low pressure of solar water outlet, gas water heater won't turn on, low tap water pressure etc.

Operating conditions

Maximum fluid temperature up to +95°C
Water/glycol mixtures max. mixing ratio 1:1
Max. working pressure 6bar

Motor and Pump

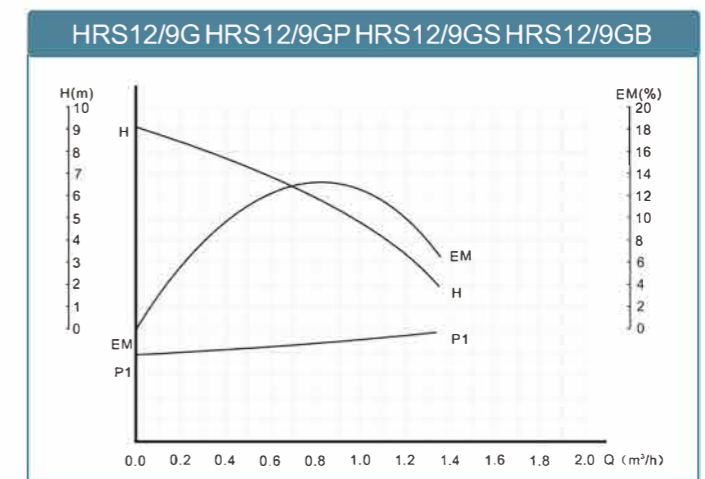
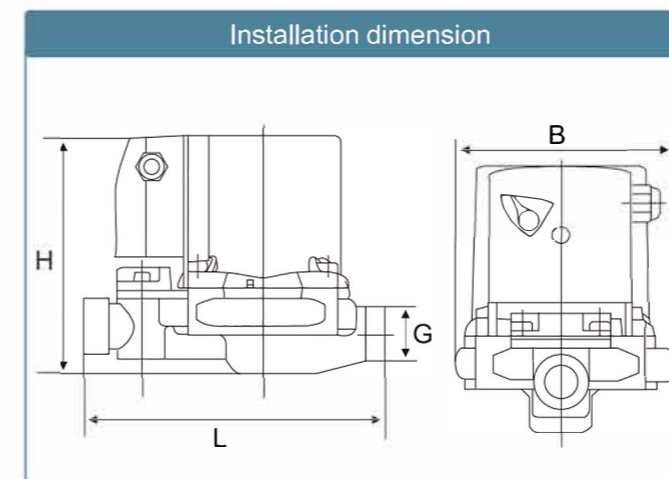
Copper winding
Built-in thermal protector
Ceramic shaft
Ceramic bearing
PP impeller
Male tab connection or with cable and plug
Supply brass connector (3/4" to 1/2") for each unit
Built-in brass flow meter
Degree of protection IP44
Insulation class F

Options on request

Different cable length and plug
Voltage and frequency 50Hz or 60Hz

Warranty: 1 year

(According to our general sales conditions).



Technical Parameter

Model	Power (W)	Max. Flow (m ³ /h)	Max. Head (m)	Voltage			Pump housing design			Dimension (mm)				Weight (Kg)
				220V/ 50Hz	220V/ 60Hz	127V/ 60Hz	G type	T type	E type	L	B	H	G	
HRS12/9G							★	★	★					2.4
HRS12/9GP	105	1.38	9	★	★	★	★	★	★	160	105	125	3/4"	2.2
HRS12/9GS							★	★	★					2.4
HRS12/9GB							★	★	★					2.6



HRS12/10G



HRS12/10GP



HRS12/10GS



HRS12/10GB

Applications

Low noise automatic booster pump, suitable for cold and hot water pressurization in small and medium-sized apartment, such as: water supply low pressure in roof tank, low pressure of solar water outlet, gas water heater won't turn on, low tap water pressure etc.

Operating conditions

Maximum fluid temperature up to +95°C
Water/glycol mixtures max. mixing ratio 1:1
Max. working pressure 6bar

Motor and Pump

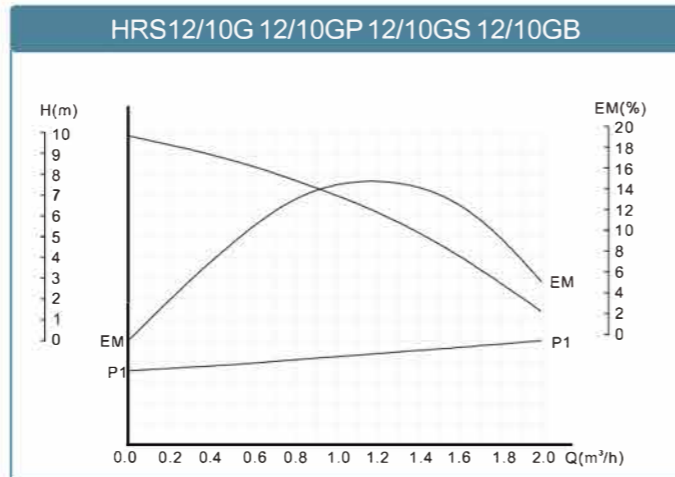
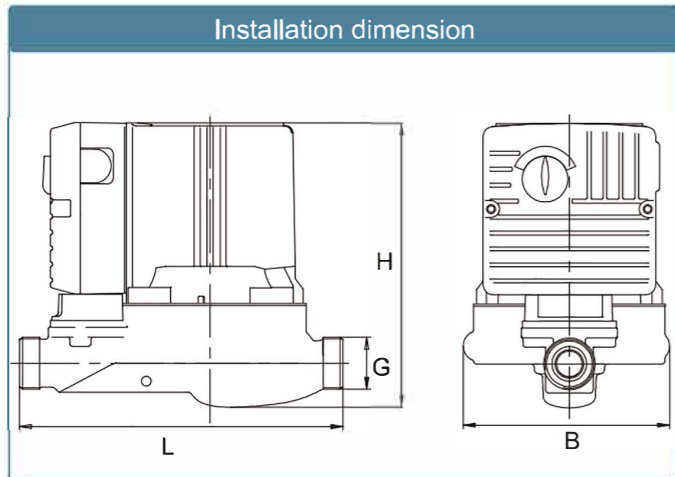
Copper winding
Built-in thermal protector
Ceramic shaft
Ceramic bearing
PP impeller
Male tab connection or with cable and plug
Supply brass connector (3/4" to 1/2") for each unit
Built-in brass flow meter
Degree of protection IP44
Insulation class F

Options on request

Different cable length and plug
Voltage and frequency 50Hz or 60Hz

Warranty: 1 year

(According to our general sales conditions).



Technical Parameter

Model	Power	Max. Flow	Max. Head	Voltage			Pump housing design			Dimension (mm)				Weight (Kg)	
	(W)	(m³/h)	(m)	220V/50Hz	220V/60Hz	127V/60Hz	G type	T type	E type	L	B	H	G		
HRS12/10G	150	1.8	10	★	★	★	★	★	★	162	103.5	142	3/4"	2.8	
HRS12/10GP							★	★	★						2.6
HRS12/10GS							★	★	★						2.8
HRS12/10GB							★	★	★						3.0



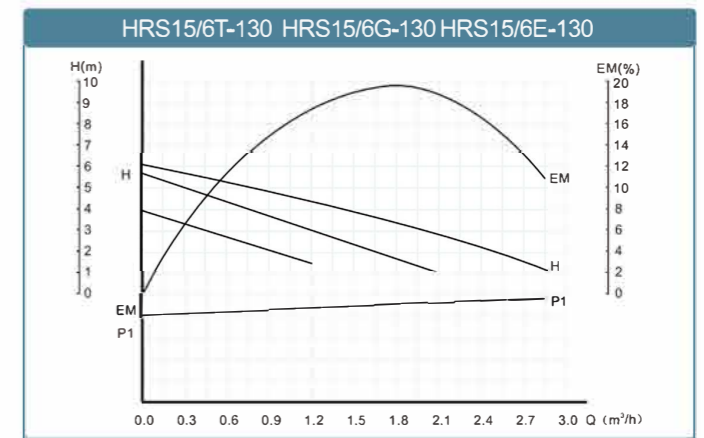
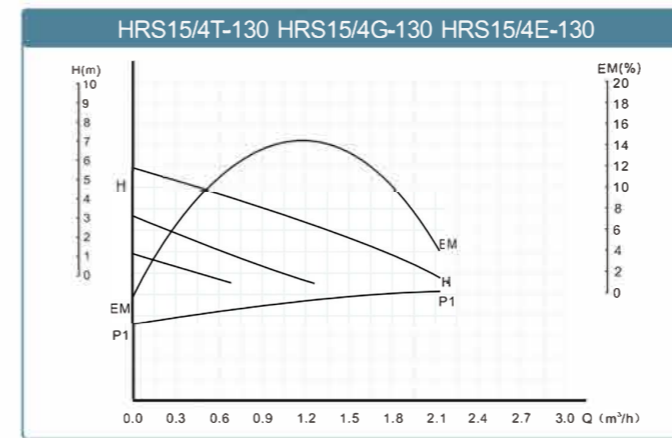
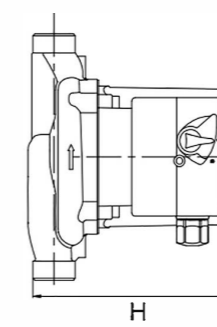
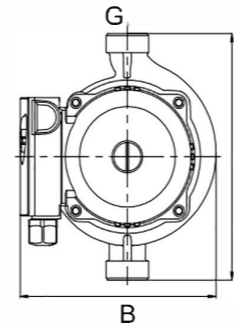
HRS15/4G-130
HRS15/6G-130



HRS15/4T-130
HRS15/6T-130



HRS15/4E-130
HRS15/6E-130



Technical Parameter

Model	Power	Max. Flow	Max. Head	Voltage			Pump housing design			Dimension (mm)				Weight (Kg)
	(W)	(m³/h)	(m)	220V/50Hz	220V/60Hz	127V/60Hz	G type	T type	E type	L	B	H	G	
HRS15/4T-130	72/53/38	2.3/1.7/0.8	4.5/4/3	★	★	★	★	★	★	130	127	133	1"	2.1
HRS15/4G-130							★	★	★	130	127	133	1"	2.2
HRS15/4E-130							★	★	★	130	127	133	1"	2.2
HRS15/6T-130							★	★	★	130	127	133	1"	2.3
HRS15/6G-130							★	★	★	130	127	133	1"	2.3
HRS15/6E-130	★	★	★	130	127	133	1"	2.4						



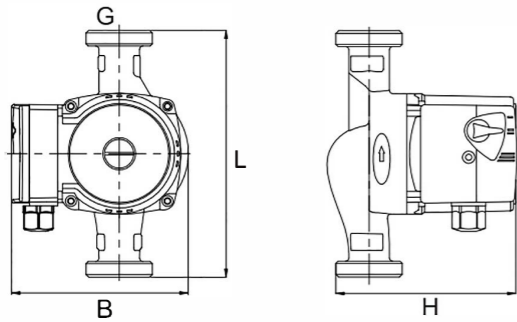
HRS20/4T-130
HRS20/6T-130



HRS20/4E-130
HRS20/6E-130



HRS20/4G-130
HRS20/6G-130



Applications

For heating system, mansions of city, villa of suburb house
To match with industrial equipment, supply water in cycle for cooling air-condition, boiler and solar energy,
To supply hot water and keep warm in cycle

Operating conditions

Maximum fluid temperature up to +110°C

Motor and Pump

- Copper winding
- Built-in thermal protector
- Ceramic shaft
- Ceramic bearing
- PP impeller
- Male tab connection or with cable and plug

Options on request

- Different cable length and plug
- Supply brass or iron connector(1 1/2" to 1")for each unit
- Voltage and frequency 50Hz or 60Hz

Warranty: 1 year

(According to our general sales conditions).



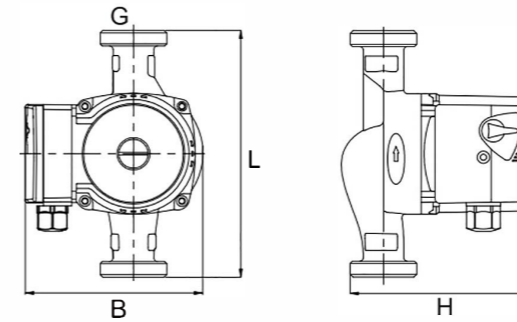
HRS25/4T-130
HRS25/6T-130



HRS25/4E-130
HRS25/6E-130



HRS25/4G-130
HRS25/6G-130



Applications

For heating system, mansions of city, villa of suburb house
To match with industrial equipment, supply water in cycle for cooling air-condition, boiler and solar energy,
To supply hot water and keep warm in cycle

Operating conditions

Maximum fluid temperature up to +110°C

Motor and Pump

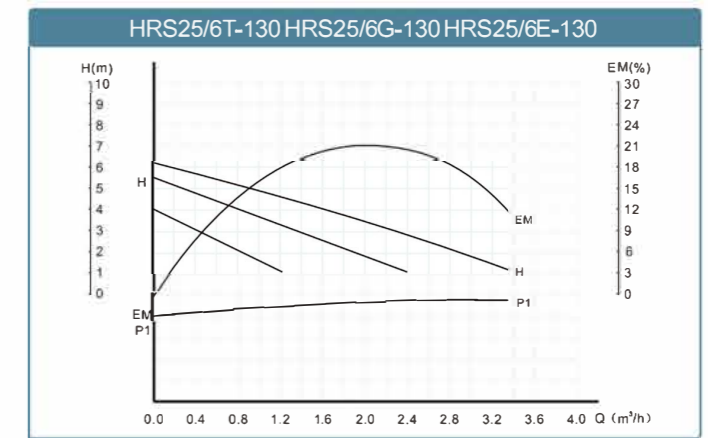
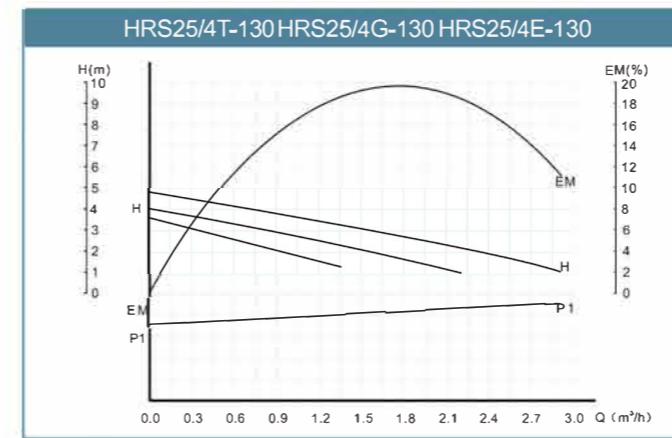
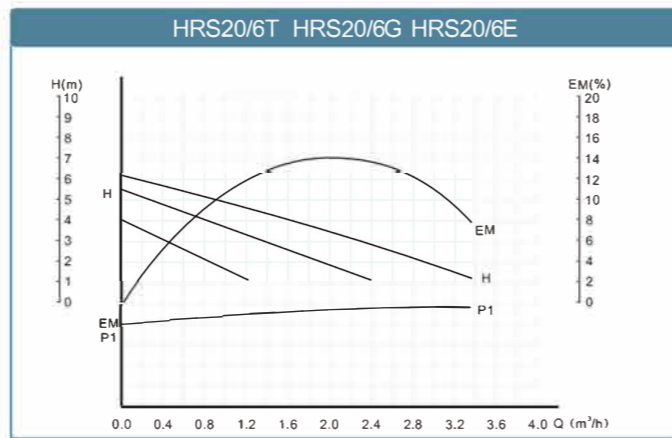
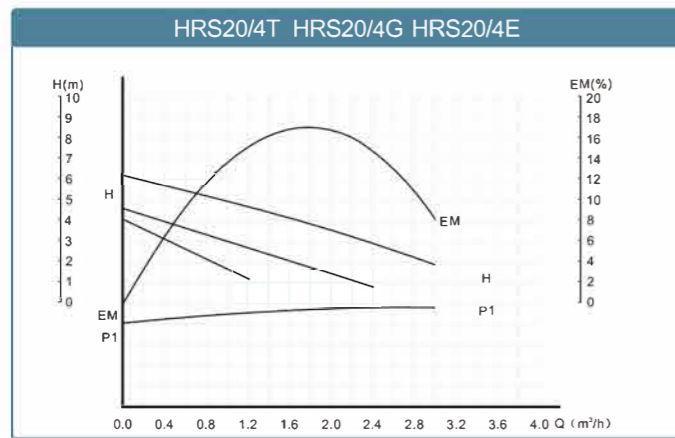
- Copper winding
- Built-in thermal protector
- Ceramic shaft
- Ceramic bearing
- PP impeller
- Male tab connection or with cable and plug

Options on request

- Different cable length and plug
- Supply brass or iron connector(1 1/2" to 1")for each unit
- Voltage and frequency 50Hz or 60Hz

Warranty: 1 year

(According to our general sales conditions).



Technical Parameter

Model	Power (W)	Max.Flow (m³/h)	Max.Head (m)	Voltage			Pump housing design			Dimension(mm)				Weight (Kg)
				220V/50Hz	220V/60Hz	127V/60Hz	G type	T type	E type	L	B	H	G	
HRS20/4T-130							★			130	127	133	1 1/4"	2.2
HRS20/4G-130	72/53/38	2.3/1.7/0.8	4.5/4/3	★	★	★	★			130	127	133	1 1/4"	2.2
HRS20/4E-130							★			130	127	133	1 1/4"	2.2
HRS20/6T-130							★			130	127	133	1 1/4"	2.4
HRS20/6G-130	93/67/46	3.3/2.3/1.3	6/5/3	★	★	★	★			130	127	133	1 1/4"	2.4
HRS20/6E-130							★			130	127	133	1 1/4"	2.4

Technical Parameter

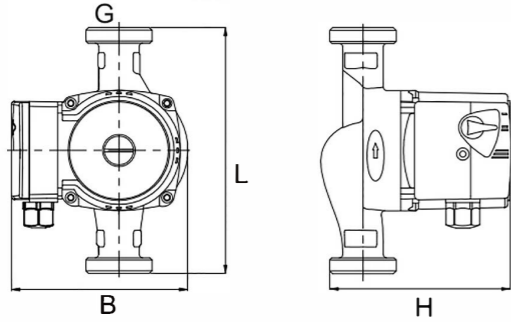
Model	Power (W)	Max.Flow (m³/h)	Max.Head (m)	Voltage			Pump housing design			Dimension(mm)				Weight (Kg)
				220V/50Hz	220V/60Hz	127V/60Hz	G type	T type	E type	L	B	H	G	
HRS25/4T-130							★	★		130	127	133	1 1/2"	2.3
HRS25/4G-130	72/53/38	2.9/2.1/1.3	4.5/4/3	★	★	★	★	★		130	127	133	1 1/2"	2.3
HRS25/4E-130							★	★		130	127	133	1 1/2"	2.3
HRS25/6T-130							★	★		130	127	133	1 1/2"	2.4
HRS25/6G-130	93/67/46	3.3/2.3/1.3	6/5/3	★	★	★	★	★		130	127	133	1 1/2"	2.4
HRS25/6E-130							★	★		130	127	133	1 1/2"	2.4



HRS25/4T-180
HRS25/6T-180

HRS25/4G-180
HRS25/6G-180

HRS25/4E-180
HRS25/6E-180



Applications

For heating system, mansions of city, villa of suburb house
To match with industrial equipment, supply water in cycle for cooling air-condition, boiler and solar energy,
To supply hot water and keep warm in cycle

Operating conditions

Maximum fluid temperature up to +110°C

Motor and Pump

- Copper winding
- Built-in thermal protector
- Ceramic shaft
- Ceramic bearing
- PP impeller
- Male tab connection or with cable and plug

Options on request

- Different cable length and plug
- Supply brass or iron connector(1 1/2" to 1")for each unit
- Voltage and frequency 50Hz or 60Hz

Warranty: 1 year

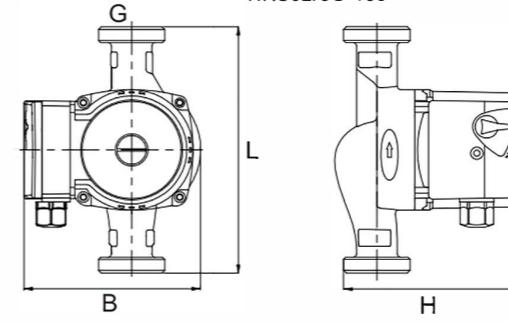
(According to our general sales conditions).



HRS32/4T-180
HRS32/6T-180

HRS32/4E-180
HRS32/6E-180

HRS32/4G-180
HRS32/6G-180



Applications

For heating system, mansions of city, villa of suburb house
To match with industrial equipment, supply water in cycle for cooling air-condition, boiler and solar energy,
To supply hot water and keep warm in cycle

Operating conditions

Maximum fluid temperature up to +110°C

Motor and Pump

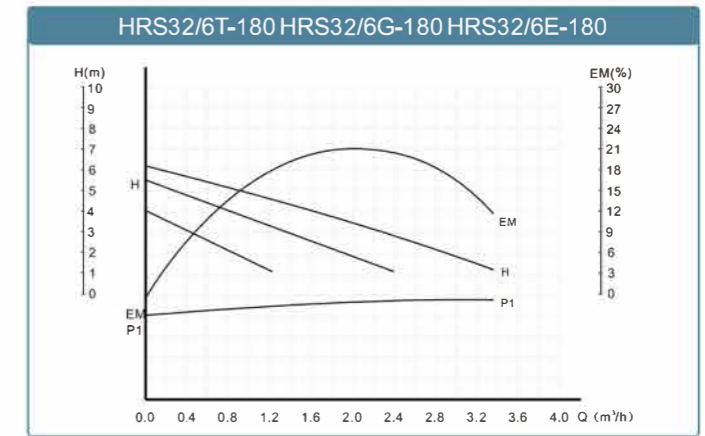
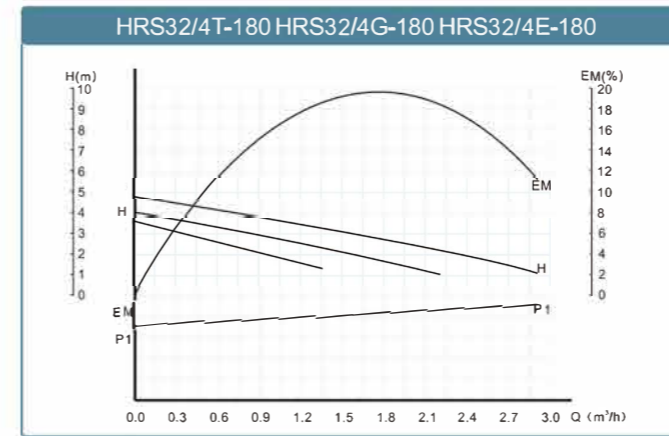
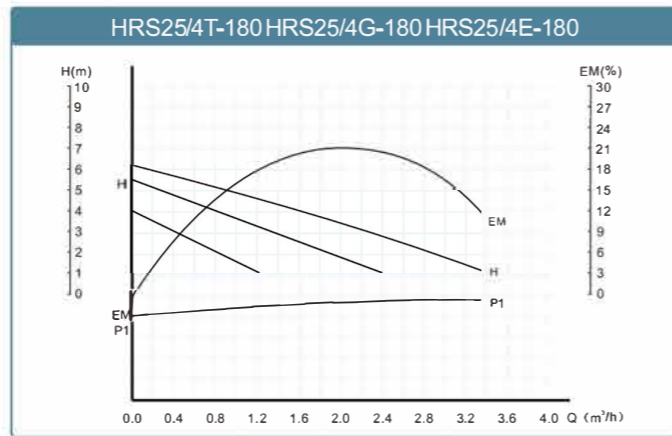
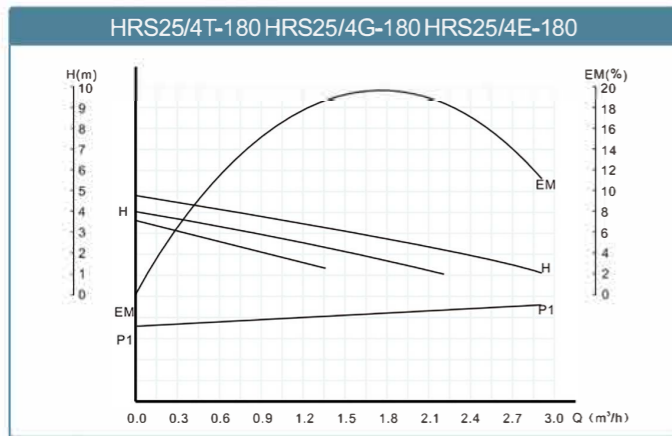
- Copper winding
- Built-in thermal protector
- Ceramic shaft
- Ceramic bearing
- PP impeller
- Male tab connection or with cable and plug

Options on request

- Different cable length and plug
- Supply brass or iron connector(2" to 1 1/4")for each unit
- Voltage and frequency 50Hz or 60Hz

Warranty: 1 year

(According to our general sales conditions).



Technical Parameter

Model	Power (W)	Max. Flow (m³/h)	Max. Head (m)	Voltage			Pump housing design			Dimension (mm)				Weight (Kg)
				220V/50Hz	220V/60Hz	127V/60Hz	G type	T type	E type	L	B	H	G	
HRS25/4T-180							★	★		180	127	133	1 1/2"	2.4
HRS25/4G-180	72/53/38	3.4/2.3/1.3	4.5/4/3	★	★	★	★	★		180	127	133	1 1/2"	2.4
HRS25/4E-180							★	★		180	127	133	1 1/2"	2.4
HRS25/6T-180							★	★		180	127	133	1 1/2"	2.5
HRS25/6G-180	93/67/46	3.9/2.9/1.6	6/5/3	★	★	★	★	★		180	127	133	1 1/2"	2.5
HRS25/6E-180							★	★		180	127	133	1 1/2"	2.5

Technical Parameter

Model	Power (W)	Max. Flow (m³/h)	Max. Head (m)	Voltage			Pump housing design			Dimension (mm)				Weight (Kg)
				220V/50Hz	220V/60Hz	127V/60Hz	G type	T type	E type	L	B	H	G	
HRS32/4T-180							★	★		180	127	133	2"	2.6
HRS32/4G-180	72/53/38	3.4/2.3/1.3	4.5/4/3	★	★	★	★	★		180	127	133	2"	2.6
HRS32/4E-180							★	★		180	127	133	2"	2.6
HRS32/6T-180							★	★		180	127	133	2"	2.7
HRS32/6G-180	93/67/46	3.9/2.9/1.6	6/5/3	★	★	★	★	★		180	127	133	2"	2.7
HRS32/6E-180							★	★		180	127	133	2"	2.7



HRS15/7T-130



HRS15/7G-130

Applications

For heating system, mansions of city, villa of suburb house
To match with industrial equipment, supply water in cycle for cooling air-condition, boiler and solar energy,
To supply hot water and keep warm in cycle

Operating conditions

Maximum fluid temperature up to +110°C

Motor and Pump

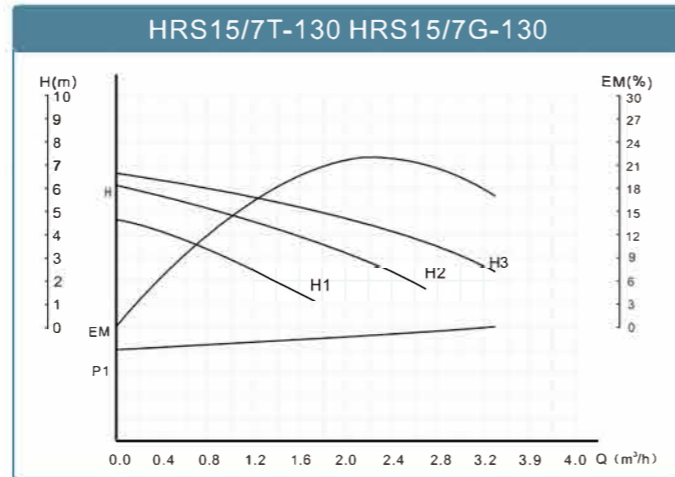
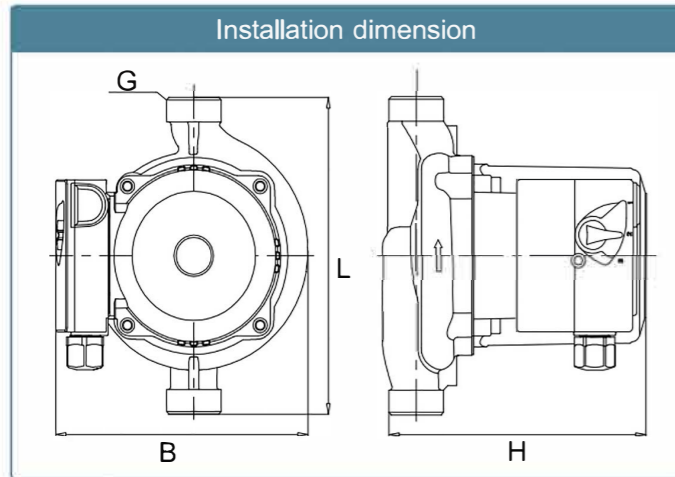
- Copper winding
- Built-in thermal protector
- Ceramic shaft
- Ceramic bearing
- PP impeller
- Male tab connection or with cable and plug

Options on request

- Different cable length and plug
- Supply brass or iron connector(1" to 3/4")for each unit
- Voltage and frequency 50Hz or 60Hz

Warranty: 1 year

(According to our general sales conditions).



Technical Parameter

Model	Power	Max.Flow	Max.Head	Voltage			Pump housing design			Dimension(mm)				Weight (Kg)
	(W)	(m³/h)	(m)	220V/50Hz	220V/60Hz	127V/60Hz	G type	T type	E type	L	B	H	G	
HRS15/7T-130	135/93/67	3.3/2.7/1.3	7/6.5/4.5	★	★	★	★	★	★	130	123	145	1"	2.6
HRS15/7G-130	135/93/67	3.3/2.7/1.3	7/6.5/4.5	★	★	★	★	★	★	130	123	145	1"	2.6



HRS25/7T-130



HRS25/7G-130

Applications

For heating system, mansions of city, villa of suburb house
To match with industrial equipment, supply water in cycle for cooling air-condition, boiler and solar energy,
To supply hot water and keep warm in cycle

Operating conditions

Maximum fluid temperature up to +110°C

Motor and Pump

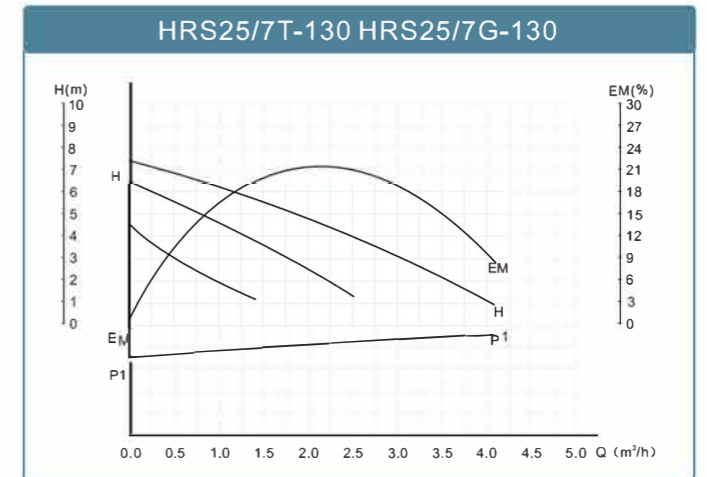
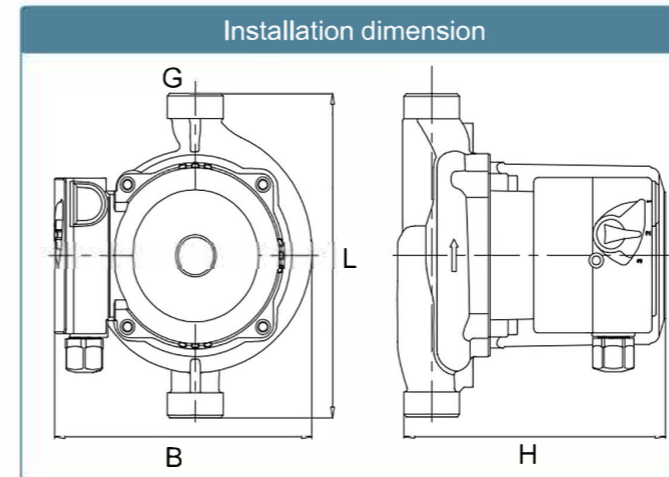
- Copper winding
- Built-in thermal protector
- Ceramic shaft
- Ceramic bearing
- PP impeller
- Male tab connection or with cable and plug

Options on request

- Different cable length and plug
- Supply brass or iron connector(1 1/2" to 1")for each unit
- Voltage and frequency 50Hz or 60Hz

Warranty: 1 year

(According to our general sales conditions).



Technical Parameter

Model	Power	Max.Flow	Max.Head	Voltage			Pump housing design			Dimension(mm)				Weight (Kg)
	(W)	(m³/h)	(m)	220V/50Hz	220V/60Hz	127V/60Hz	G type	T type	E type	L	B	H	G	
HRS25/7T-130	135/93/67	3.8/3.0/1.9	7/6.5/4.5	★	★	★	★	★	★	130	123	145	1 1/2"	2.8
HRS25/7G-130	135/93/67	3.8/3.0/1.9	7/6.5/4.5	★	★	★	★	★	★	130	123	145	1 1/2"	2.8



HRS25/7T-180



HRS25/7G-180

Applications

For heating system, mansions of city, villa of suburb house
To match with industrial equipment, supply water in cycle for cooling air-condition, boiler and solar energy,
To supply hot water and keep warm in cycle

Operating conditions

Maximum fluid temperature up to +110°C

Motor and Pump

- Copper winding
- Built-in thermal protector
- Ceramic shaft
- Ceramic bearing
- PP impeller
- Male tab connection or with cable and plug

Options on request

- Different cable length and plug
- Supply brass or iron connector(1 1/2" to 1")for each unit
- Voltage and frequency 50Hz or 60Hz

Warranty: 1 year

(According to our general sales conditions).



HRS32/7T-180



HRS32/7G-180

Applications

For heating system, mansions of city, villa of suburb house
To match with industrial equipment, supply water in cycle for cooling air-condition, boiler and solar energy,
To supply hot water and keep warm in cycle

Operating conditions

Maximum fluid temperature up to +110°C

Motor and Pump

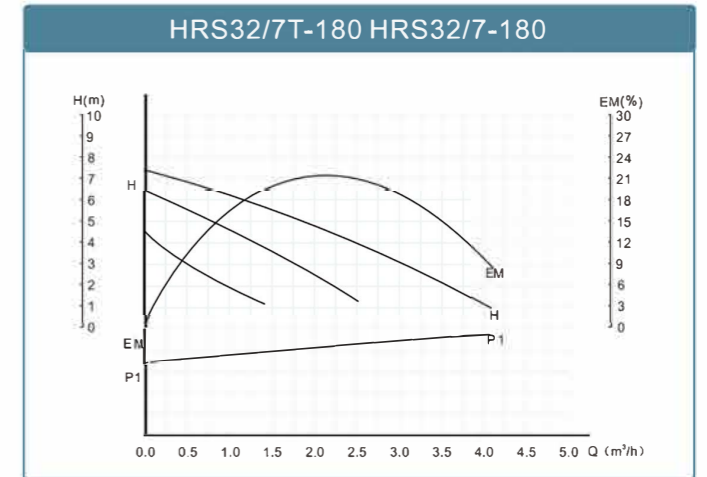
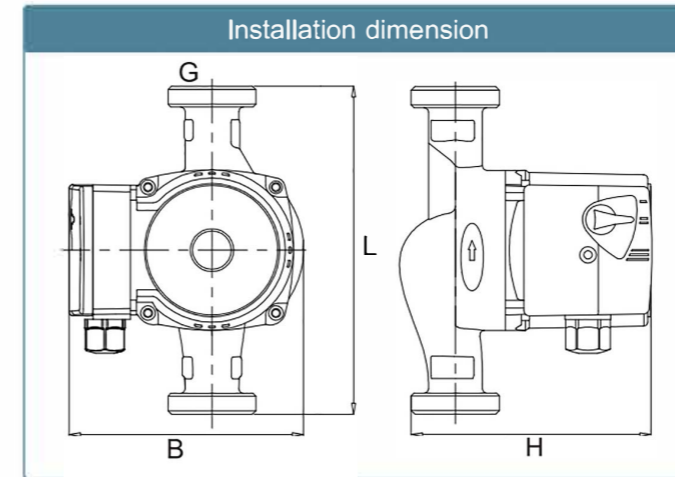
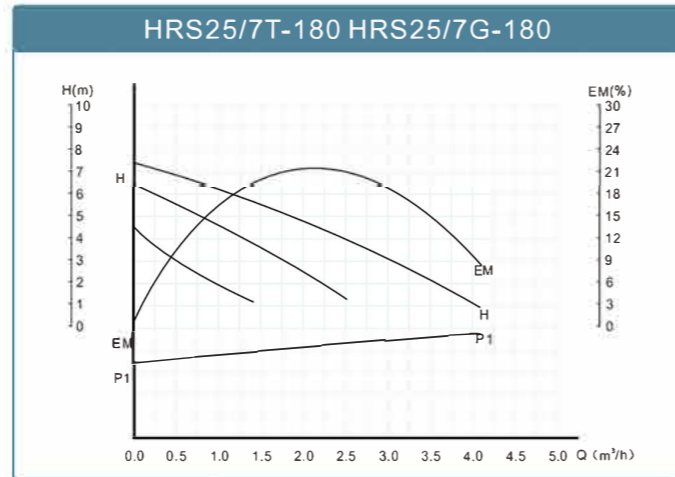
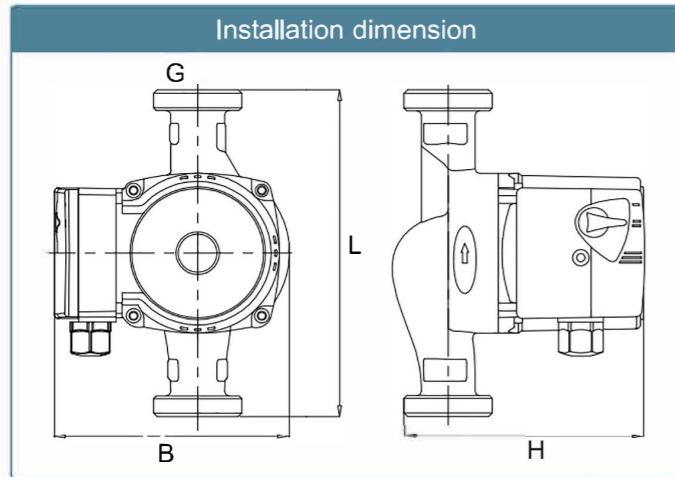
- Copper winding
- Built-in thermal protector
- Ceramic shaft
- Ceramic bearing
- PP impeller
- Male tab connection or with cable and plug

Options on request

- Different cable length and plug
- Supply brass or iron connector(2" to 1 1/4")for each unit
- Voltage and frequency 50Hz or 60Hz

Warranty: 1 year

(According to our general sales conditions).



Technical Parameter

Model	Power (W)	Max.Flow (m³/h)	Max.Head (m)	Voltage			Pump housing design			Dimension(mm)				Weight (Kg)
				220V/50Hz	220V/60Hz	127V/60Hz	G type	T type	E type	L	B	H	G	
HRS25/7T-180	135/93/67	4.1/3.2/2.1	7/6.5/4.5	★	★	★	★	★		180	123	145	1 1/2"	3.0
HRS25/7G-180							★	★		180	123	145	1 1/2"	3.0

Technical Parameter

Model	Power (W)	Max.Flow (m³/h)	Max.Head (m)	Voltage			Pump housing design			Dimension(mm)				Weight (Kg)
				220V/50Hz	220V/60Hz	127V/60Hz	G type	T type	E type	L	B	H	G	
HRS32/7T-180	135/93/67	4.2/3.4/2.2	7/6.5/4.5	★	★	★	★	★		180	123	145	2"	3.2
HRS32/7G-180							★	★		180	123	145	2"	3.2

Applications

For heating system, mansions of city, villa of suburb house
To match with industrial equipment, supply water in cycle for cooling air-condition, boiler and solar energy,
To supply hot water and keep warm in cycle

Operating conditions

Maximum fluid temperature up to +110°C

Motor and Pump

- Copper winding
- Built-in thermal protector
- Ceramic shaft
- Ceramic bearing
- PP impeller
- Male tab connection or with cable and plug

Options on request

- Different cable length and plug
- Supply brass or iron connector(1" to 3/4")for each unit
- Voltage and frequency 50Hz or 60Hz

Warranty: 1 year

(According to our general sales conditions).



HRS15/8T-180



HRS15/8-180



HRS25/8T-180



HRS25/8-180

Applications

For heating system, mansions of city, villa of suburb house
To match with industrial equipment, supply water in cycle for cooling air-condition, boiler and solar energy,
To supply hot water and keep warm in cycle

Operating conditions

Maximum fluid temperature up to +110°C

Motor and Pump

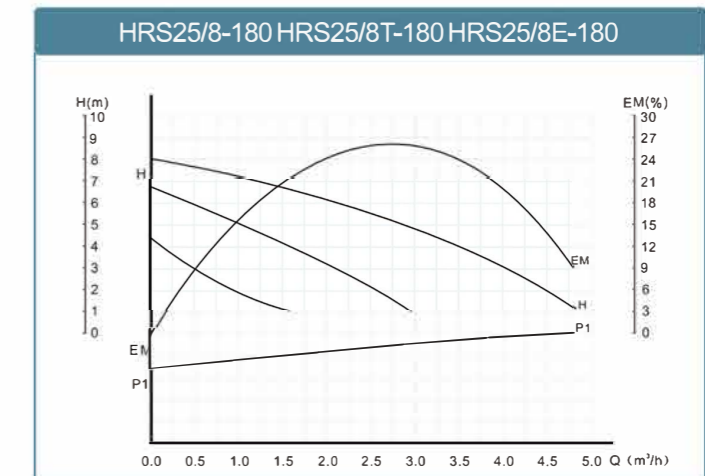
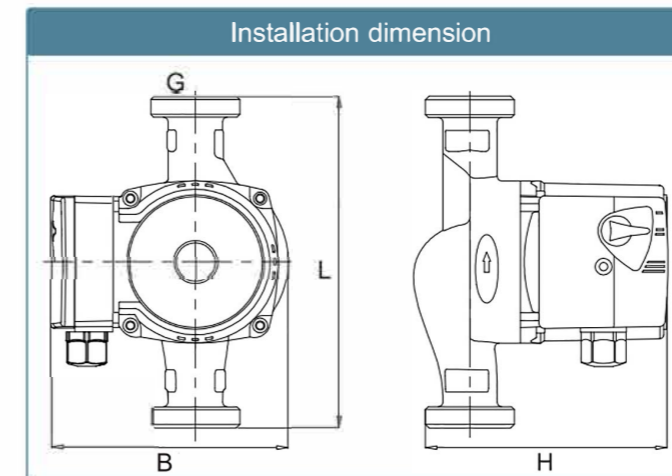
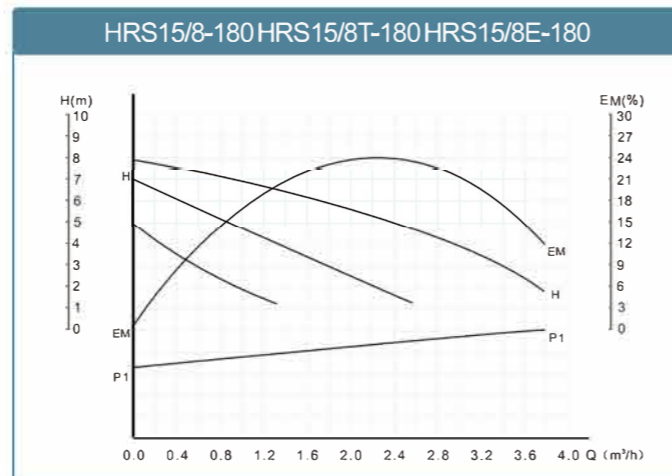
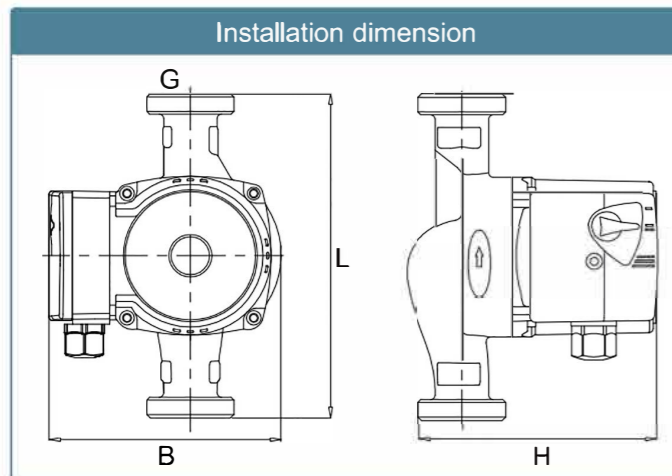
- Copper winding
- Built-in thermal protector
- Ceramic shaft
- Ceramic bearing
- PP impeller
- Male tab connection or with cable and plug

Options on request

- Different cable length and plug
- Supply brass or iron connector(1 1/2" to 1")for each unit
- Voltage and frequency 50Hz or 60Hz

Warranty: 1 year

(According to our general sales conditions).



Technical Parameter

Model	Power (W)	Max.Flow (m³/h)	Max.Head (m)	Voltage			Pumphousing design			Dimension(mm)				Weight (Kg)
				220V/50Hz	220V/60Hz	127V/60Hz	G type	T type	E type	L	B	H	G	
HRS15/8-180				★			★			180	127	159	1"	3.3
HRS15/8T-180	165/115/75	3.4/2.4/1.2	8/7/5	★	★	★	★			180	127	159	1"	3.3
HRS15/8E-180							★			180	127	159	1"	3.3

Technical Parameter

Model	Power (W)	Max.Flow (m³/h)	Max.Head (m)	Voltage			Pump housing design			Dimension(mm)				Weight (Kg)
				220V/50Hz	220V/60Hz	127V/60Hz	G type	T type	E type	L	B	H	G	
HRS25/8-180							★	★		180	127	159	1 1/2"	3.4
HRS25/8T-180	165/115/75	5.4/3.6/2	8/7/5	★	★	★	★			180	127	159	1 1/2"	3.4
HRS25/8E-180							★	★		180	127	159	1 1/2"	3.4

Applications

For heating system, mansions of city, villa of suburb house
To match with industrial equipment, supply water in cycle for cooling air-condition, boiler and solar energy,
To supply hot water and keep warm in cycle

Operating conditions

Maximum fluid temperature up to +110°C

Motor and Pump

- Copper winding
- Built-in thermal protector
- Ceramic shaft
- Ceramic bearing
- PP impeller
- Male tab connection or with cable and plug

Options on request

- Different cable length and plug
- Supply brass or iron connector(2" to 1 1/4")for each unit
- Voltage and frequency 50Hz or 60Hz

Warranty: 1 year

(According to our general sales conditions).



HRS32/8T-180



HRS32/8-180



HRS25/8GT-180



HRS25/8G-180



HRS25/8GE-180

Applications

For heating system, mansions of city, villa of suburb house
To match with industrial equipment, supply water in cycle for cooling air-condition, boiler and solar energy,
To supply hot water and keep warm in cycle

Operating conditions

Maximum fluid temperature up to +110°C

Motor and Pump

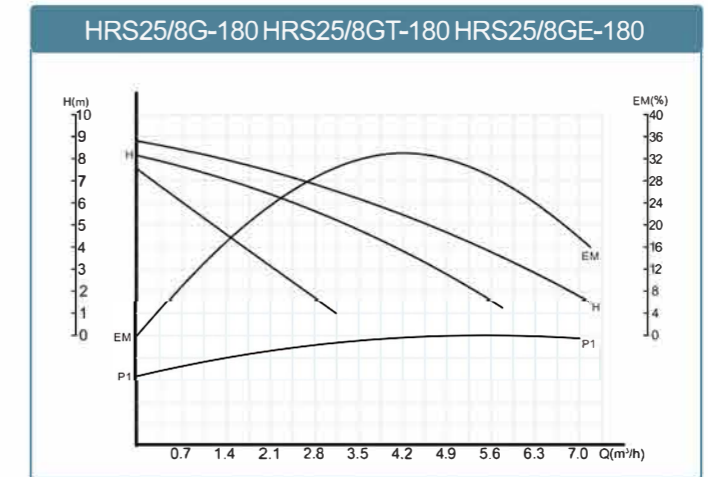
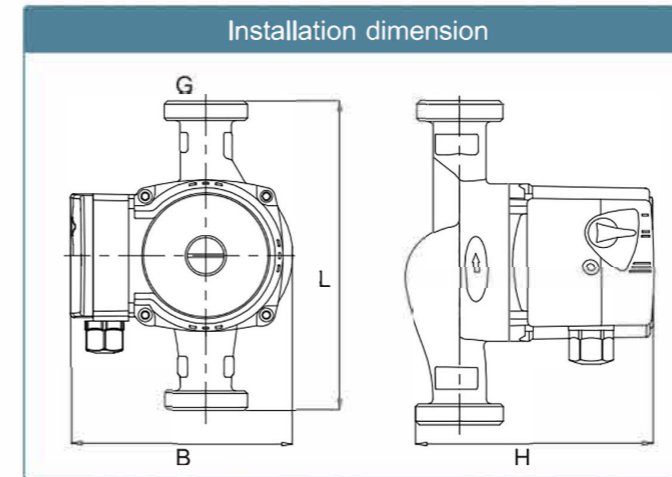
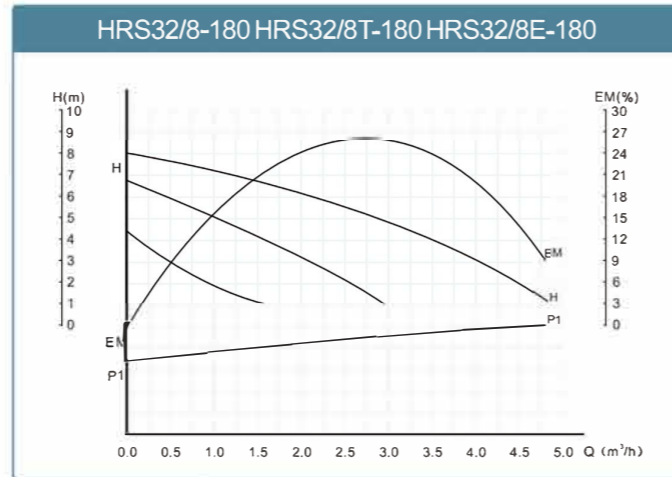
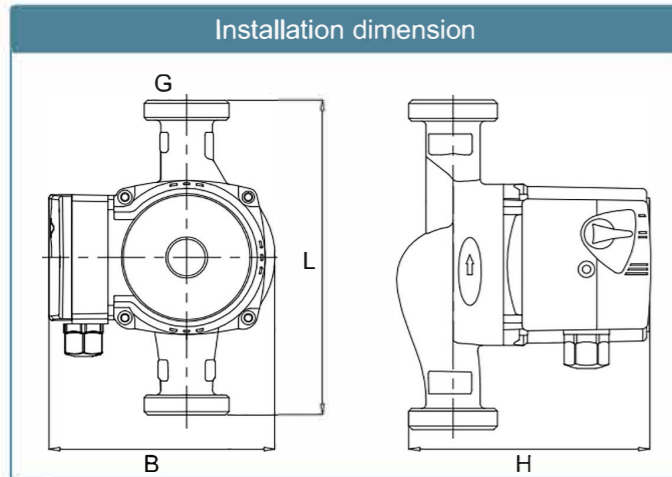
- Copper winding
- Built-in thermal protector
- Ceramic shaft
- Ceramic bearing
- PP impeller
- Male tab connection or with cable and plug

Options on request

- Different cable length and plug
- Supply brass or iron connector(1 1/2" to 1")for each unit
- Voltage and frequency 50Hz or 60Hz

Warranty: 1 year

(According to our general sales conditions).



Technical Parameter

Model	Power	Max.Flow	Max.Head	Voltage			Pump housing design			Dimension(mm)				Weight (Kg)
	(W)	(m³/h)	(m)	220V/50Hz	220V/60Hz	127V/60Hz	G type	T type	E type	L	B	H	G	
HRS32/8-180				★			★			180	127	159	2"	3.6
HRS32/8T-180	165/115/75	5.4/3.6/2	8/7/5	★	★	★	★			180	127	159	2"	3.6
HRS32/8E-180							★			180	127	159	2"	3.6

Technical Parameter

Model	Power	Max.Flow	Max.Head	Voltage			Pump housing design			Dimension(mm)				Weight (Kg)
	(W)	(m³/h)	(m)	220V/50Hz	220V/60Hz	127V/60Hz	G type	T type	E type	L	B	H	G	
HRS25/8G-180							★	★		180	134.5	158	1 1/2"	4.2
HRS25/8GT-180	182/170/145	6.9/5.7/2.7	8/7.5/6.5	★	★	★	★	★		180	134.5	158	1 1/2"	4.2
HRS25/8GE-180							★	★		180	134.5	158	1 1/2"	4.2

Applications

For heating system, mansions of city, villa of suburb house
To match with industrial equipment, supply water in cycle for cooling air-condition, boiler and solar energy,
To supply hot water and keep warm in cycle

Operating conditions

Maximum fluid temperature up to +110°C

Motor and Pump

- Copper winding
- Built-in thermal protector
- Ceramic shaft
- Ceramic bearing
- PP impeller
- Male tab connection or with cable and plug

Options on request

- Different cable length and plug
- Supply brass or iron connector(2" to 1 1/4")for each unit
- Voltage and frequency 50Hz or 60Hz

Warranty: 1 year

(According to our general sales conditions).



HRS32/8GT-180



HRS32/8G-180



HRS32/8GE-180



HRS20/11-180



HRS20/11T-180



HRS20/11E-180

Applications

For heating system, mansions of city, villa of suburb house
To match with industrial equipment, supply water in cycle for cooling air-condition, boiler and solar energy,
To supply hot water and keep warm in cycle

Operating conditions

Maximum fluid temperature up to +110°C

Motor and Pump

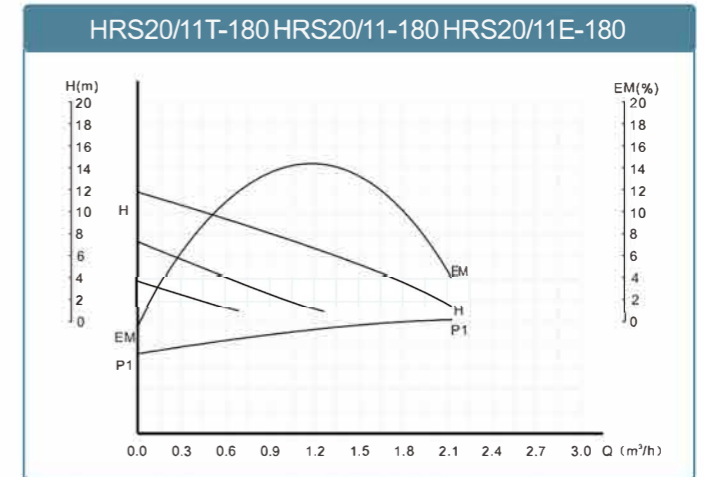
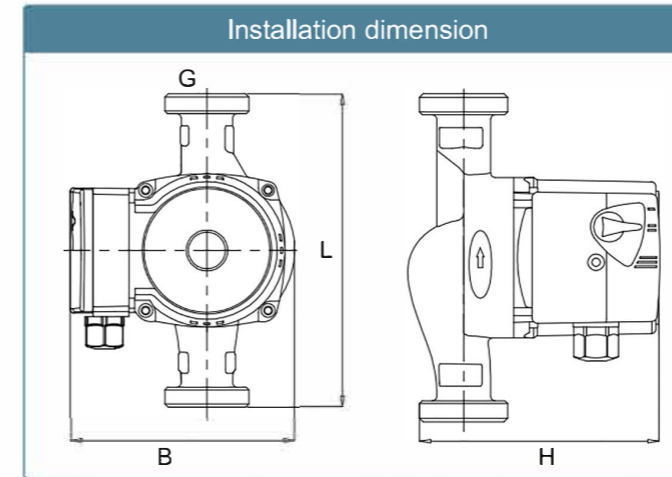
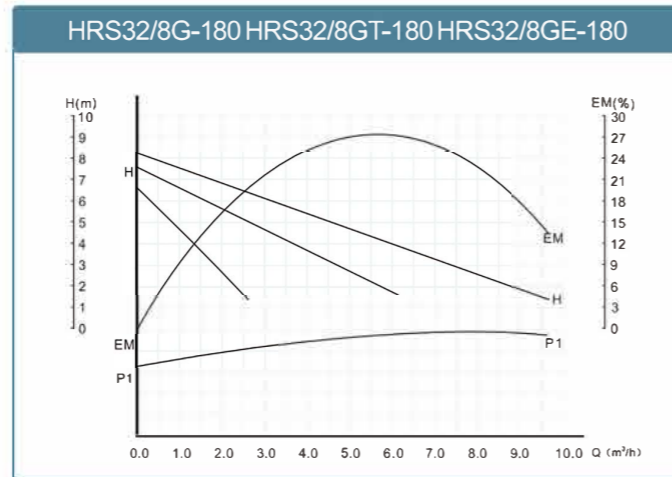
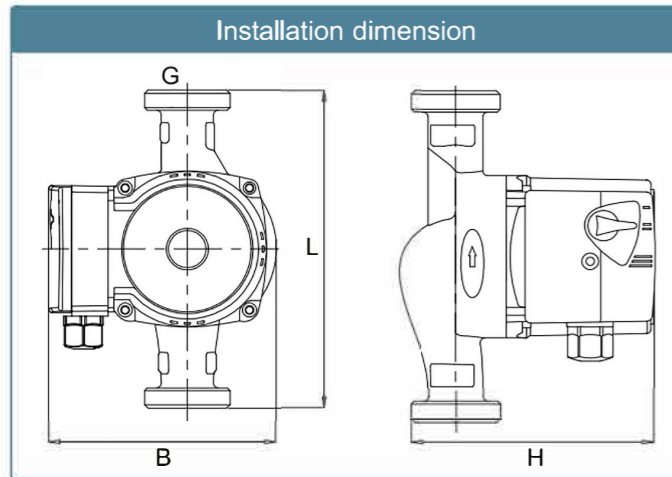
- Copper winding
- Built-in thermal protector
- Ceramic shaft
- Ceramic bearing
- PP impeller
- Male tab connection or with cable and plug

Options on request

- Different cable length and plug
- Supply brass or iron connector(1" to 3/4")for each unit
- Voltage and frequency 50Hz or 60Hz

Warranty: 1 year

(According to our general sales conditions).



Technical Parameter

Model	Power	Max.Flow	Max.Head	Voltage			Pump housing design			Dimension(mm)				Weight (Kg)
	(W)	(m³/h)	(m)	220V/50Hz	220V/60Hz	127V/60Hz	G type	T type	E type	L	B	H	G	
HRS32/8G-180							★	★		180	137	172	2"	4.8
HRS32/8GT-180	270/210/150	9.6/6.2/2.5	8/7.5/6.5	★	★	★	★	★		180	137	172	2"	4.8
HRS32/8GE-180							★	★		180	137	172	2"	4.8

Technical Parameter

Model	Power	Max.Flow	Max.Head	Voltage			Pump housing design			Dimension(mm)				Weight (Kg)
	(W)	(m³/h)	(m)	220V/50Hz	220V/60Hz	127V/60Hz	G type	T type	E type	L	B	H	G	
HRS20/11T-180							★	★		180	144	144	1"	4.0
HRS20/11-180	165/115/75	2.1/1.2/0.6	11/7/3.4	★	★	★	★	★		180	144	144	1"	4.0
HRS20/11E-180							★	★		180	144	144	1"	4.0



HRS20/12T-180



HRS20/12E-180



HRS20/12G-180

Applications

For heating system, mansions of city, villa of suburb house
To match with industrial equipment, supply water in cycle for cooling air-condition, boiler and solar energy,
To supply hot water and keep warm in cycle

Operating conditions

Maximum fluid temperature up to +110°C

Motor and Pump

- Copper winding
- Built-in thermal protector
- Ceramic shaft
- Ceramic bearing
- PP impeller
- Male tab connection or with cable and plug

Options on request

- Different cable length and plug
- Supply brass or iron connector(1" to 3/4")for each unit
- Voltage and frequency 50Hz or 60Hz

Warranty: 1 year

(According to our general sales conditions).



HRS25/12T-180



HRS25/12E-180



HRS25/12G-180

Applications

For heating system, mansions of city, villa of suburb house
To match with industrial equipment, supply water in cycle for cooling air-condition, boiler and solar energy,
To supply hot water and keep warm in cycle

Operating conditions

Maximum fluid temperature up to +110°C

Motor and Pump

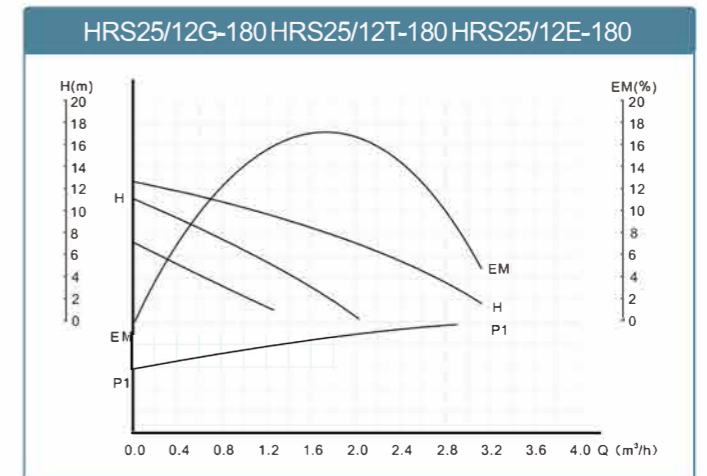
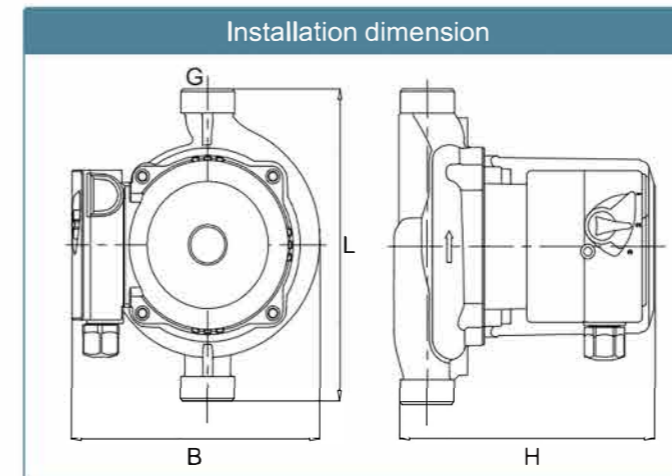
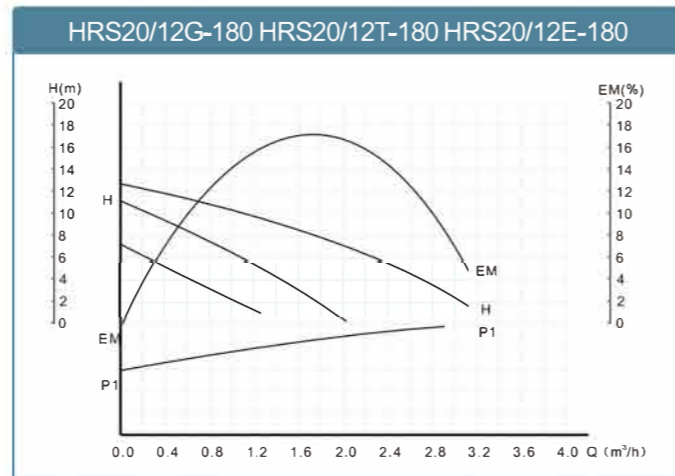
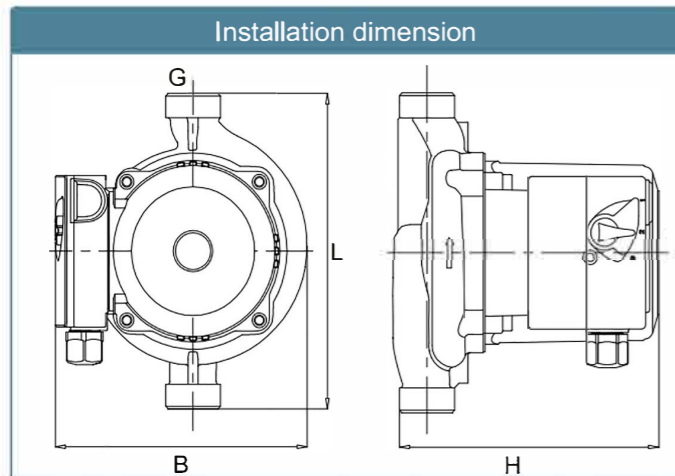
- Copper winding
- Built-in thermal protector
- Ceramic shaft
- Ceramic bearing
- PP impeller
- Male tab connection or with cable and plug

Options on request

- Different cable length and plug
- Supply brass or iron connector(1 1/2" to 1")for each unit
- Voltage and frequency 50Hz or 60Hz

Warranty: 1 year

(According to our general sales conditions).



Technical Parameter

Model	Power	Max.Flow	Max.Head	Voltage			Pump housing design			Dimension(mm)				Weight (Kg)
	(W)	(m³/h)	(m)	220V/50Hz	220V/60Hz	127V/60Hz	G type	T type	E type	L	B	H	G	
HRS20/12G-180				★	★	★	★	★		180	150	152	1"	4.4
HRS20/12T-180	245/220/145	3.1/1.9/1.3	12/11/7	★	★	★	★	★		180	150	152	1"	4.4
HRS20/12E-180							★	★		180	150	152	1"	4.4

Technical Parameter

Model	Power	Max.Flow	Max.Head	Voltage			Pump housing design			Dimension(mm)				Weight (Kg)
	(W)	(m³/h)	(m)	220V/50Hz	220V/60Hz	127V/60Hz	G type	T type	E type	L	B	H	G	
HRS25/12G-180							★			180	150	160	1 1/2"	4.5
HRS25/12T-180	245/220/145	3.7/2.2/1.3	12/11/7	★	★	★	★	★		180	150	160	1 1/2"	4.5
HRS25/12E-180							★			180	150	160	1 1/2"	4.5



HRS25/15T-180



HRS25/15G-180



HRS25/15E-180

Applications

For heating system, mansions of city, villa of suburb house
To match with industrial equipment, supply water in cycle for cooling air-condition, boiler and solar energy,
To supply hot water and keep warm in cycle

Operating conditions

Maximum fluid temperature up to +110°C

Motor and Pump

- Copper winding
- Built-in thermal protector
- Ceramic shaft
- Ceramic bearing
- PP impeller
- Male tab connection or with cable and plug

Options on request

- Different cable length and plug
- Supply brass or iron connector(1 1/2" to 1")for each unit
- Voltage and frequency 50Hz or 60Hz

Warranty: 1 year

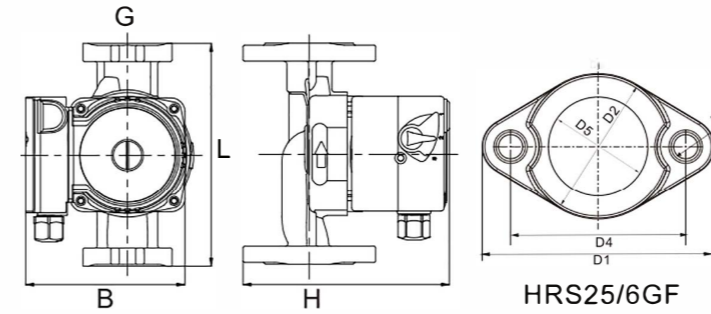
(According to our general sales conditions).



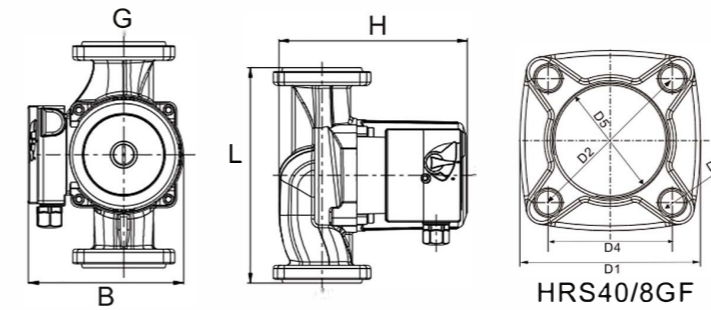
HRS25/6GF



HRS40/8GF



HRS25/6GF



HRS40/8GF

Applications

For heating system, mansions of city, villa of suburb house
To match with industrial equipment, supply water in cycle for cooling air-condition, boiler and solar energy,
To supply hot water and keep warm in cycle

Operating conditions

Maximum fluid temperature up to +110°C

Motor and Pump

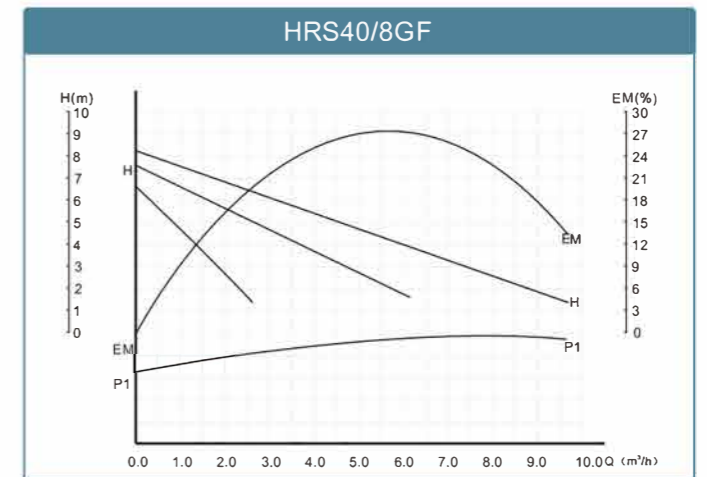
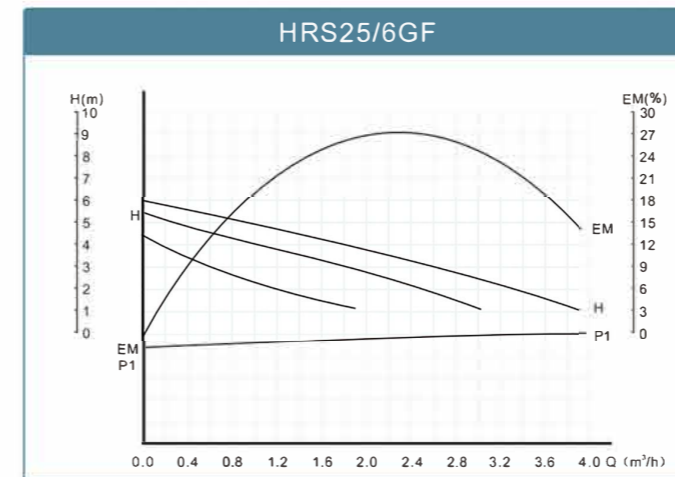
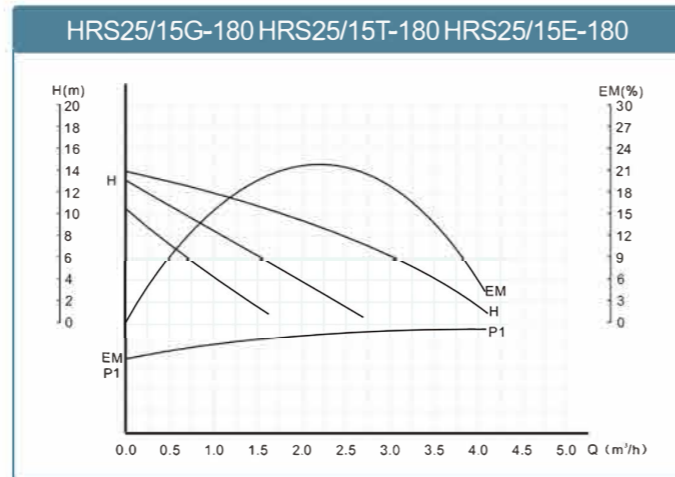
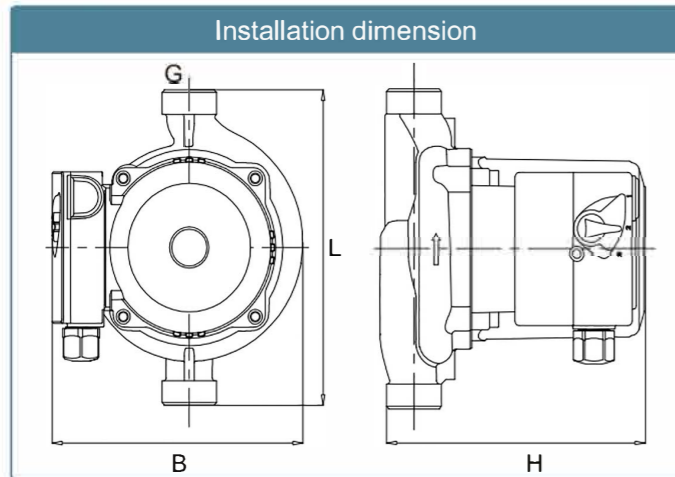
- Copper winding
- Built-in thermal protector
- Ceramic shaft
- Ceramic bearing
- PP impeller
- Supply iron flange for each unit

Options on request

- Different cable length and plug
- Voltage and frequency 50Hz or 60Hz

Warranty: 1 year

(According to our general sales conditions).



Technical Parameter

Model	Power (W)	Max.Flow (m³/h)	Max.Head (m)	Voltage			Pump housing design			Dimension(mm)				Weight (Kg)
				220V/50Hz	220V/60Hz	127V/60Hz	G type	T type	E type	L	B	H	G	
HRS25/15G-180							★	★		180	149	160	1 1/2"	5.3
HRS25/15T-180	270/210/150	4.1/2.8/1.7	14/13/10	★	★	★	★	★		180	149	160	1 1/2"	5.3
HRS25/15E-180							★	★		180	149	160	1 1/2"	5.3

Technical Parameter

Model	Power (W)	Max.Flow (m³/h)	Max.Head (m)	Voltage			PUMP Dimension(mm)				Flange Dimension(mm)				Weight (Kg)
				220V/50Hz	220V/60Hz	127V/60Hz	L	B	H	G	D1	D2	D3	D4	
HRS25/6GF	93/67/46	3.5/2.3/1.3	6/5/3	★	★	★	166	118	154	1 1/2"	106	67	13.5	80	3.0
HRS40/8GF	270/220/150	9.6/6.2/2.6	8/7.5/6.5	★	★	★	200	147	166	2"	93	90.5	12	64	5.9



Applications

For heating system, mansions of city, villa of suburb house
To match with industrial equipment, supply water in cycle for cooling air-condition, boiler and solar energy,
To supply hot water and keep warm in cycle

Operating conditions

Maximum fluid temperature up to +110°C

Motor and Pump

- Copper winding
- Built-in thermal protector
- Ceramic shaft
- Ceramic bearing
- PP impeller
- Supply iron flange for each unit

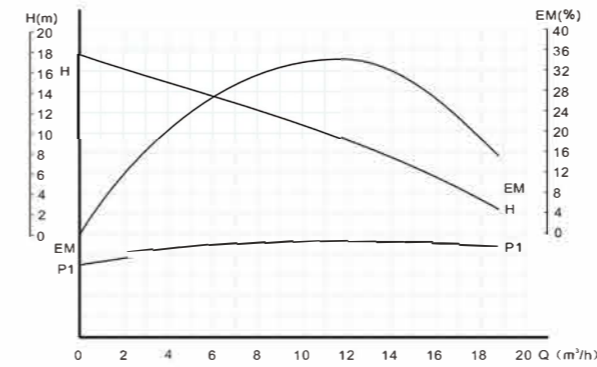
Options on request

- Different cable length and plug
- Voltage and frequency 50Hz or 60Hz

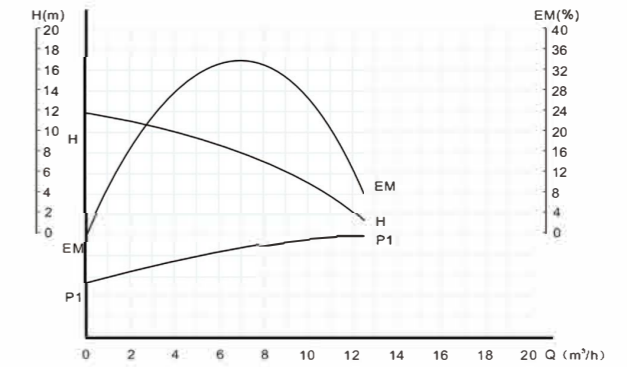
Warranty: 1 year

(According to our general sales conditions).

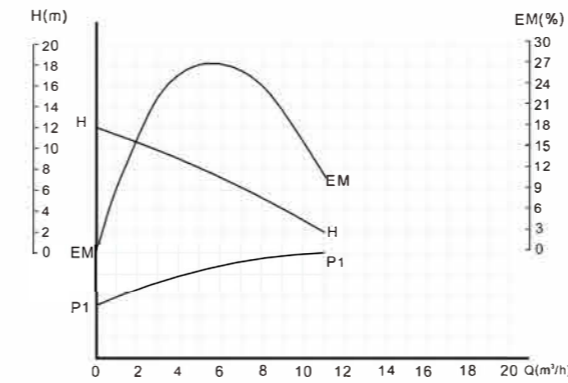
HGR750 HGR750-DN40 HGR750-DN50



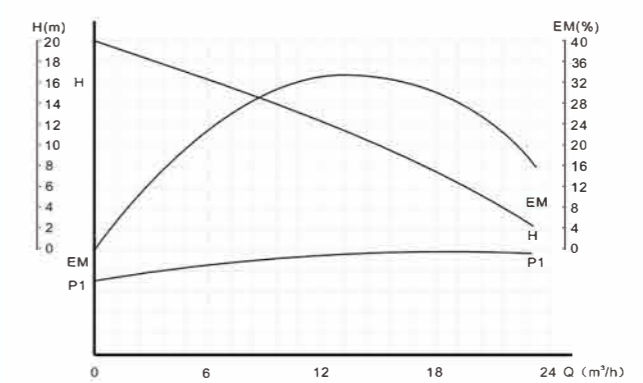
HGR550 HGR550-DN40 HGR550-DN50



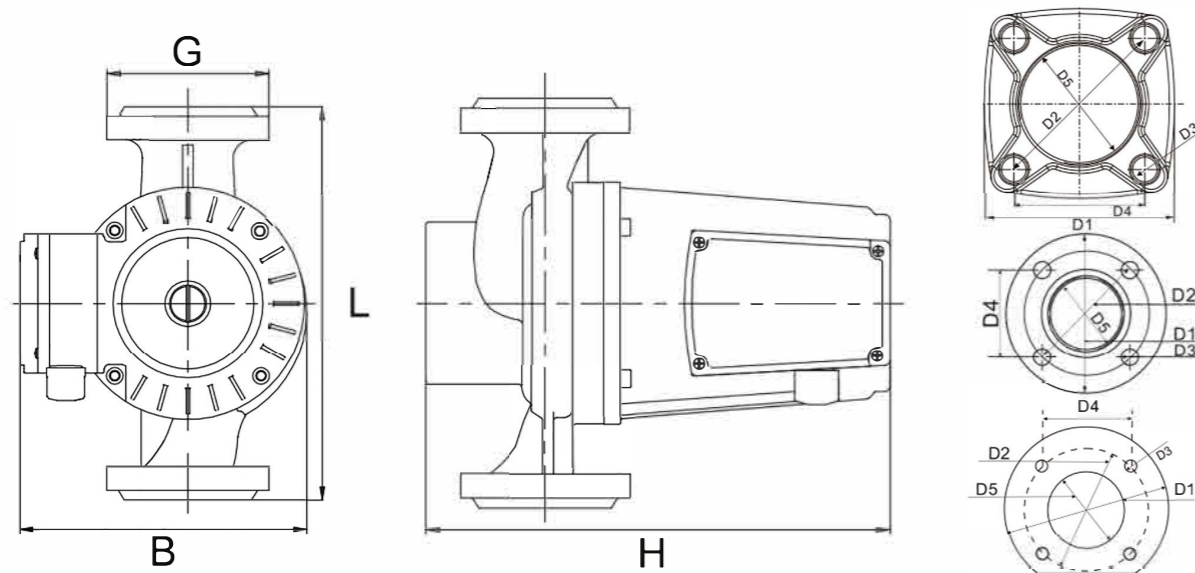
HGR370GF HGR370



HGR1100 HGR1100-DN40 HGR1100-DN50



HGR370GF HGR550 HGR750 HGR1100

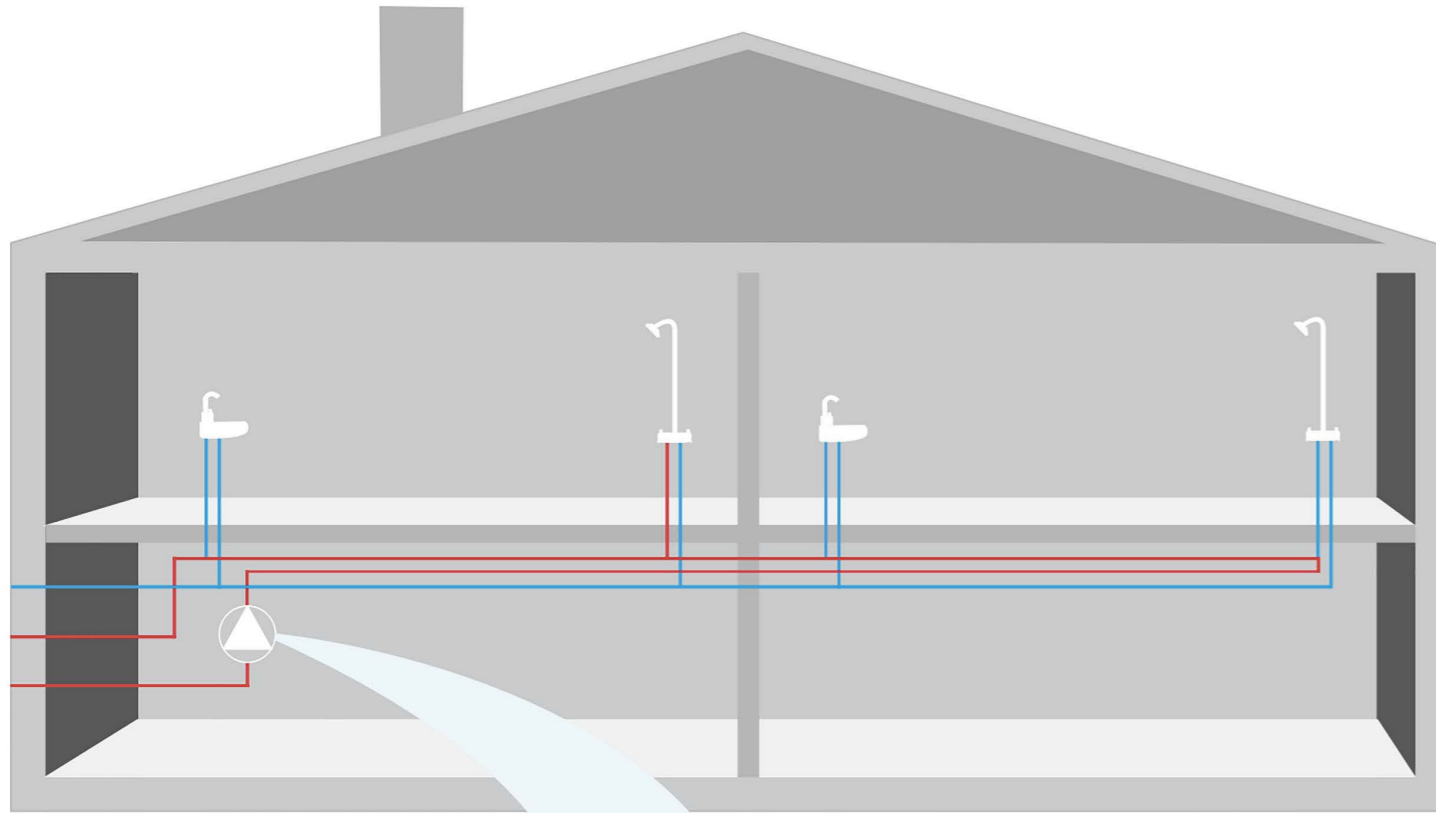


Model	Power (W)	Max. Flow (m³/h)	Max. Head (m)	Voltage			PUMP Dimension(mm)					Flange Dimension(mm)					Weight (Kg)		
				220V/50Hz	220V/60Hz	380V/50Hz	L	B	B1	H	G	D1	D2	D3	D4	D5			
HGF370	400	10.2	11	★	★	★	224	180	59.5	210	2"								9
HGR370GF	400	10.5	11	★	★	★	224	163	92	253	2"	93	90.5	12	64	57.2			11
HGR550	550	10.5	12	★	★	★	225	160	126	253	2"	128	99	12	70	57.2			14.5
HGR750	750	18.6	17	★	★	★	255	219	126	314	2"	128	99	12	70	57.2			24
HGR1100	1100	23.1	18	★	★	★	255	219	126	314	2"	128	99	12	70	57.2			25
HGR550-DN40	550	12	12	★	★	★	225	162	150	255	2"	150	100	12	77.8	57.2			16
HGR750-DN40	750	18.6	17	★	★	★	255	219	150	249	2"	150	100	12	77.8	57.2			25
HGR1100-DN40	1100	23.1	20	★	★	★	255	219	150	249	2"	150	100	12	77.8	57.2			25.5
HGR550-DN50	550	12	12	★	★	★	225	162	165	255	2"	165	110	12	88.4	57.2			16.5
HGR750-DN50	750	18.6	17	★	★	★	255	219	165	249	2"	165	110	12	88.4	57.2			26
HGR1100-DN50	1100	23.1	20	★	★	★	255	219	165	249	2"	165	110	12	88.4	57.2			27
HGR1500-DN65	1500	28	13	★	★	★	300	211	185	304	2.5"	165	145	18	102.5	72.5			28

Model	Power	Max.Flow	Max.Head	Voltage			Pump housing design			Body Length	Inlet/Outlet	Weight (Kg)
	(W)	(m³/h)	(m)	220V/50Hz	220V/60Hz	127V/60Hz	G type	T type	E type	(mm)		
HRS20/12Z	275	3.1	12	★	★	★	★	★	★	200	1"	4.5
HRS20/12ZS				4.3								
HRS12/9G				2.4								
HRS12/9GP	105	1.38	9	★	★	★	★	★	160	3/4"	2.2	
HRS12/9GS				2.4								
HRS12/9GB				2.6								
HRS12/10G	150	1.8	10	★	★	★	★	★	162	3/4"	2.8	
HRS12/10GP				2.6								
HRS12/10GS				2.8								
HRS12/10GB	150	1.8	10	★	★	★	★	★	162	3/4"	3.0	
HRS15/4T-130				2.1								
HRS15/4G-130				2.2								
HRS15/4E-130	72/53/38	2.3/1.7/0.8	4.5/4/3	★	★	★	★	★	130	1"	2.2	
HRS15/6T-130				2.2								
HRS15/6G-130				2.3								
HRS15/6E-130	93/67/46	2.6/2.0/1.2	6/5/3	★	★	★	★	★	130	1"	2.4	
HRS20/4T-130				2.4								
HRS20/4G-130				2.4								
HRS20/4E-130	72/53/38	2.3/1.7/0.8	4.5/4/3	★	★	★	★	★	130	1 1/4"	2.2	
HRS20/6T-130				2.2								
HRS20/6G-130				2.2								
HRS20/6E-130	93/67/46	3.3/2.3/1.3	6/5/3	★	★	★	★	★	130	1 1/4"	2.4	
HRS25/4T-130				2.4								
HRS25/4G-130				2.4								
HRS25/4E-130	72/53/38	2.9/2.1/1.3	4.5/4/3	★	★	★	★	★	130	1 1/2"	2.3	
HRS25/6T-130				2.3								
HRS25/6G-130				2.3								
HRS25/6E-130	93/67/46	3.3/2.3/1.3	6/5/3	★	★	★	★	★	130	1 1/2"	2.4	
HRS25/8T-180				2.4								
HRS25/8G-180				2.4								
HRS25/8E-180	72/53/38	3.4/2.3/1.3	4.5/4/3	★	★	★	★	★	180	1 1/2"	2.4	
HRS25/10T-180				2.4								
HRS25/10G-180				2.4								
HRS25/10E-180	93/67/46	3.9/2.9/1.6	6/5/3	★	★	★	★	★	180	1 1/2"	2.5	
HRS32/4T-180				2.5								
HRS32/4G-180				2.5								
HRS32/4E-180	72/53/38	3.4/2.3/1.3	4.5/4/3	★	★	★	★	★	180	2"	2.6	
HRS32/6T-180				2.6								
HRS32/6G-180				2.6								
HRS32/6E-180	93/67/46	3.9/2.9/1.6	6/5/3	★	★	★	★	★	180	2"	2.7	
HRS15/7T-130				2.7								
HRS15/7G-130				2.7								
HRS25/7T-130	135/93/67	3.3/2.7/1.3	7/6.5/4.5	★	★	★	★	★	130	1"	2.6	
HRS25/7G-130				2.6								
HRS25/7T-180				2.8								
HRS25/7G-180	135/93/67	3.8/3.0/1.9	7/6.5/4.5	★	★	★	★	★	130	1 1/2"	2.8	
HRS25/7T-180				2.8								
HRS32/7T-180				3.0								
HRS32/7G-180	135/93/67	4.1/3.2/2.1	7/6.5/4.5	★	★	★	★	★	180	1 1/2"	3.0	
HRS32/7T-180				3.0								
HRS32/7G-180				3.2								
HRS32/7E-180	135/93/67	4.2/3.4/2.2	7/6.5/4.5	★	★	★	★	★	180	2"	3.2	
HRS32/7E-180				3.2								
HRS32/7E-180				3.2								

Model	Power	Max.Flow	Max.Head	Voltage			Material of pump body			Body Length	Inlet/Outlet	Weight (Kg)
	(W)	(m³/h)	(m)	220V/50Hz	220V/60Hz	127V/60Hz	G type	T type	E type	(mm)		
HRS15/8-180	165/115/75	3.4/2.4/1.2	8/7/5	★	★	★	★			180	1"	3.3
HRS15/8T-180				3.3								
HRS15/8E-180				3.3								
HRS25/8-180	165/115/75	5.4/3.6/2	8/7/5	★	★	★	★	★		180	1 1/2"	3.4
HRS25/8T-180				3.4								
HRS25/8E-180				3.4								
HRS32/8-180	165/115/75	5.4/3.6/2	8/7/5	★	★	★	★			180	2"	3.6
HRS32/8T-180				3.6								
HRS32/8E-180				3.6								
HRS25/8G-180	182/170/145	6.9/5.7/2.7	8/7.5/6.5	★	★	★	★	★		180	1 1/2"	4.2
HRS25/8GT-180				4.2								
HRS25/8GE-180				4.2								
HRS32/8G-180	270/210/150	9.6/6.2/2.5	8/7.5/6.5	★	★	★	★	★		180	2"	4.8
HRS32/8GT-180				4.8								
HRS32/8GE-180				4.8								
HRS20/11T-180	165/115/75	2.1/1.2/0.6	11/7/3.4	★	★	★	★	★		180	1"	4.0
HRS20/11G-180				4.0								
HRS20/11E-180				4.0								
HRS20/12G-180	245/220/145	3.1/1.9/1.3	12/11/7	★	★	★	★	★		180	1"	4.4
HRS20/12T-180				4.4								
HRS20/12E-180				4.4								
HRS25/12G-180	245/220/145	3.7/2.2/1.3	12/11/7	★	★	★	★			180	1 1/2"	4.5
HRS25/12T-180				4.5								
HRS25/12E-180				4.5								
HRS25/15G-180	270/210/150	4.1/2.8/1.7	14/13/10	★	★	★	★	★		180	1 1/2"	5.3
HRS25/15T-180				5.3								
HRS25/15E-180				5.3								

Model	Power	Max.Flow	Max.Head	Voltage			PUMP Dimension(mm)					Flange Dimension(mm)					Weight (Kg)
	(W)	(m³/h)	(m)	220V/50Hz	220V/60Hz	380V/50Hz	L	B	B1	H	G	D1	D2	D3	D4	D5	
HGF370	400	10.2	11	★	★	★	224	180	59.5	210	2"						9
HGR370GF	400	10.5	11	★	★	★	224	163	92	253	2"	93	90.5	12	64	57.2	11
HGR550	550	10.5	12	★	★	★	225	160	126	253	2"	128	99	12	70	57.2	14.5
HGR750	750	18.6	17	★	★	★	255	219	126	314	2"	128	99	12	70	57.2	24
HGR1100	1100	23.1	18	★	★	★	255	219	126	314	2"	128	99	12	70	57.2	25
HGR550-DN40	550	12	12	★	★	★	225	162	150	255	2"	150	100	12	77.8	57.2	16
HGR750-DN40	750	18.6	17	★	★	★	255	219	150	249	2"	150	100	12	77.8	57.2	25
HGR1100-DN40	1100	23.1	20	★	★	★	255	219	150	249	2"	150	100	12	77.8	57.2	25.5
HGR550-DN50	550	12	12	★	★	★	225	162	165	255	2"	165	110	12	88.4	57.2	16.5
HGR750-DN50	750	18.6	17	★	★	★	255	219	165	249	2"	165	110	12	88.4	57.2	26
HGR1100-DN50	1100	23.1	20	★	★	★	255	219	165	249	2"	165	110	12	88.4	57.2	27
HGR1500-DN65	1500	28	13	★	★	★	300	211	185	304	2.5"	165	145	18	102.5	72.5	28



INTELLIGENT PUMP

Advantages

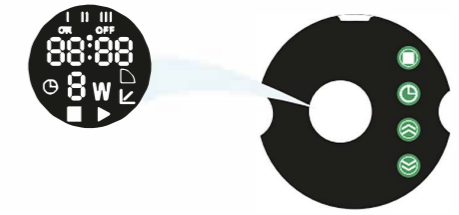
Economical
lower power consumption
(5w-9w)

Permanent magnet motor
easy for clean and replacement



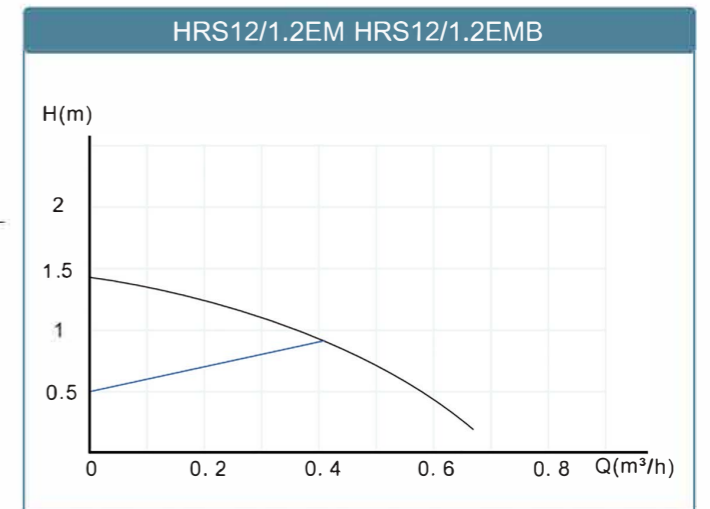
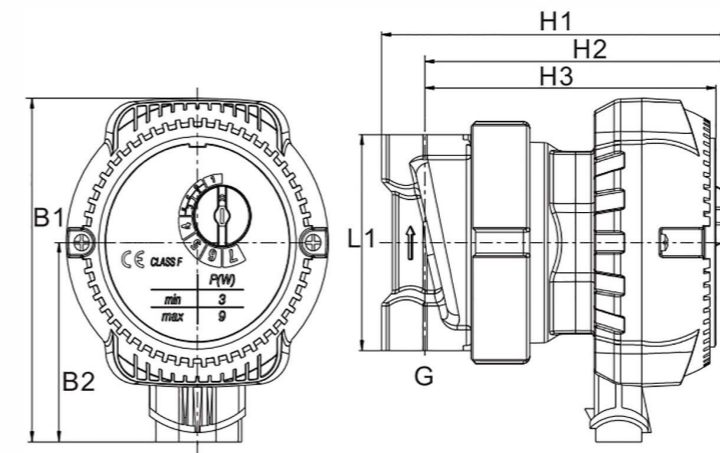
Time and Temperature
control system

Special construction
extremely silent



- Displayed during time setting, not displayed during normal operation, representing three time periods.
- Displayed during time and temperature setting, not displayed during normal operation, representing start and stop
- When setting, display the temperature and time by pressing the button; Display the working time and temperature when working.
- Display when under time and temperature control working mode.
- Display working power
- Stop working
- Manual working mode
- Pump working
- Auto working mode

INTELLIGENT PUMP



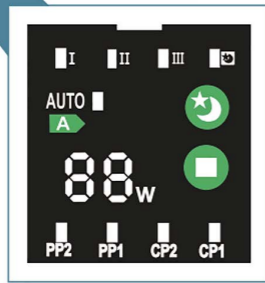
Working Rule:
 1. Start Temperature < Stop Temperature: When the pump senses that the water temp. is lower than the Setting start Temp. it will start to work until the temperature rises to the setting stop temperature. It will repeat this work when water temperature is lower.
 For example: Start Temp: 38°C, Stop Temp.: 42°C, water temp.: 15°C. The pump works until water temp. reaches 42°C. It will restart when the water temp. is lower than 38°C.

Technical Parameter

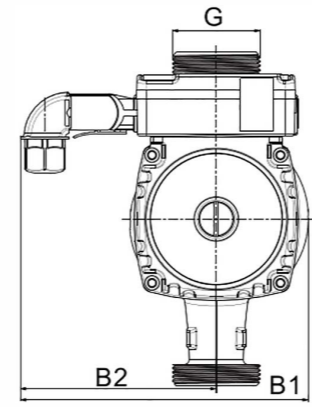
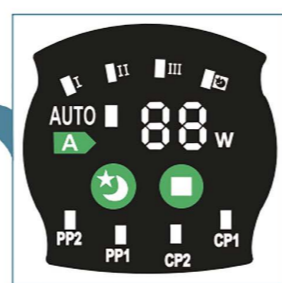
Model	Power	Max. Flow	Max. Head	Voltage		Material of pump body				Dimension (mm)						Weight (Kg)	
	(W)	(m³/h)	(m)	220V/50Hz	220V/60Hz	Cast Iron	Plastic	Brass	Stainless steel	B2	B1	B2	H2	H2	H3		H3
HRS12/1.2EM	9	0.6	1.2	★	★			★	★	72	103.5	60	113	99	94	1/2"	1.1
HRS12/1.2EMB										72	101	65	126	112			



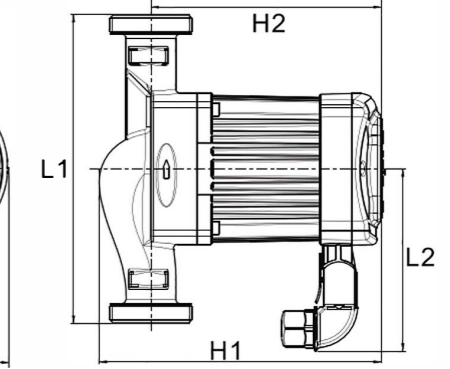
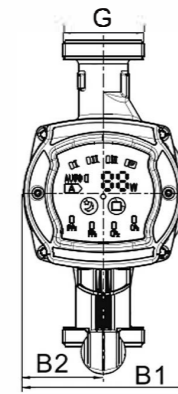
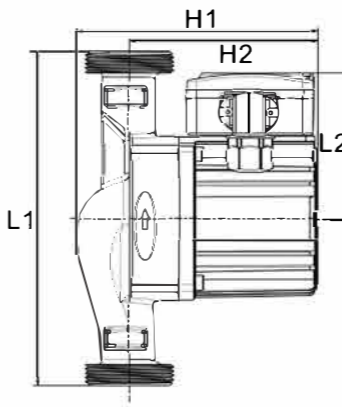
EA Series



EAB Series



HRS15/4EA



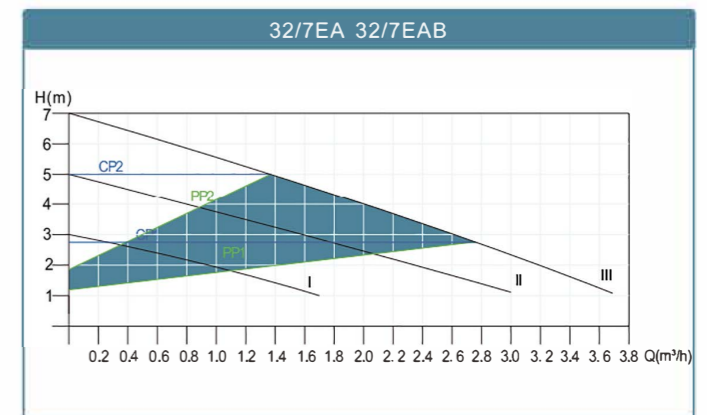
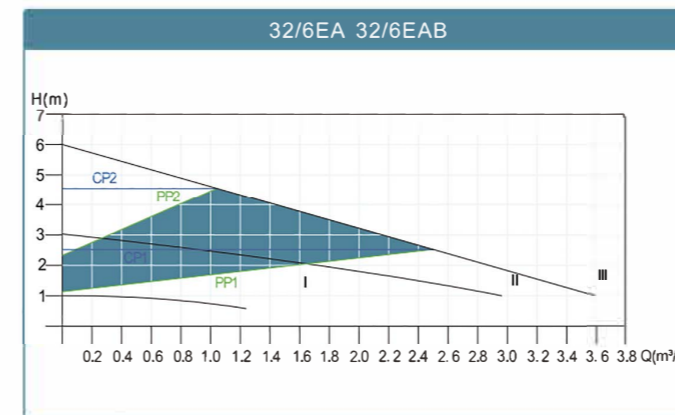
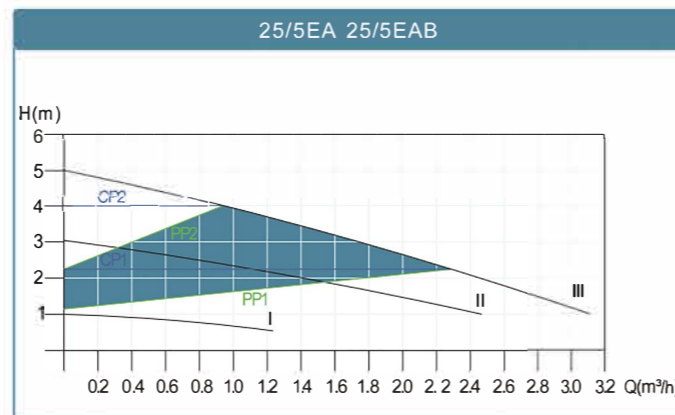
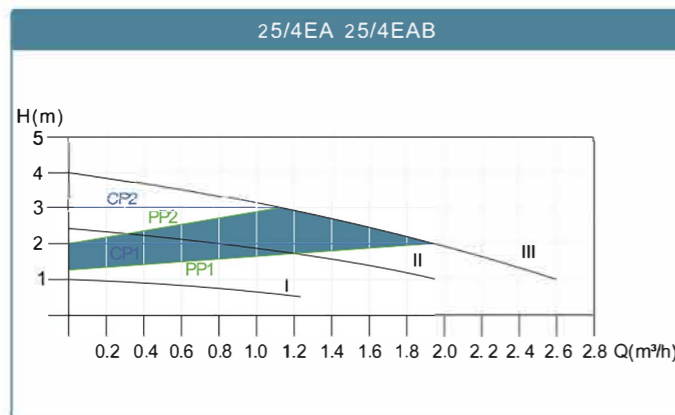
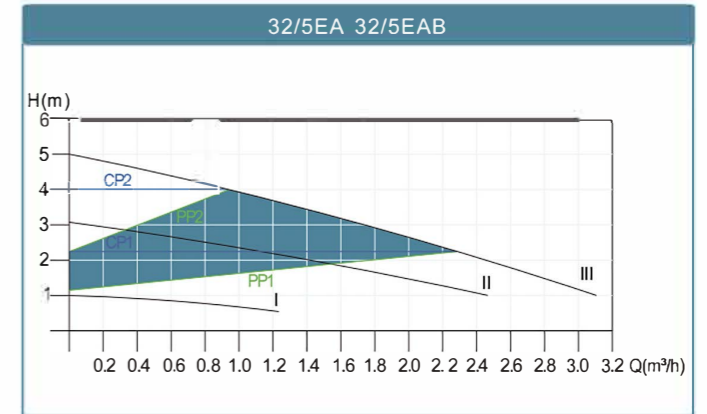
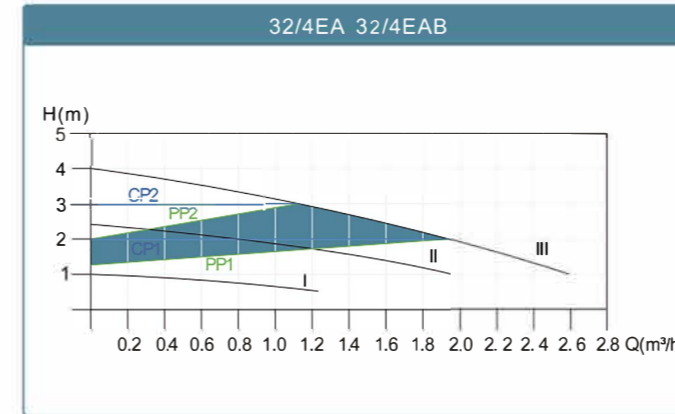
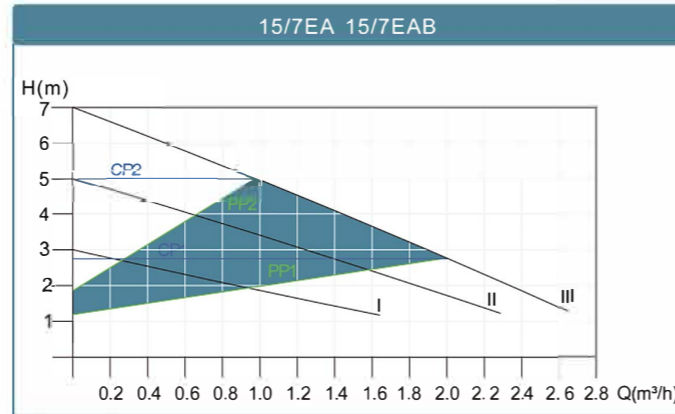
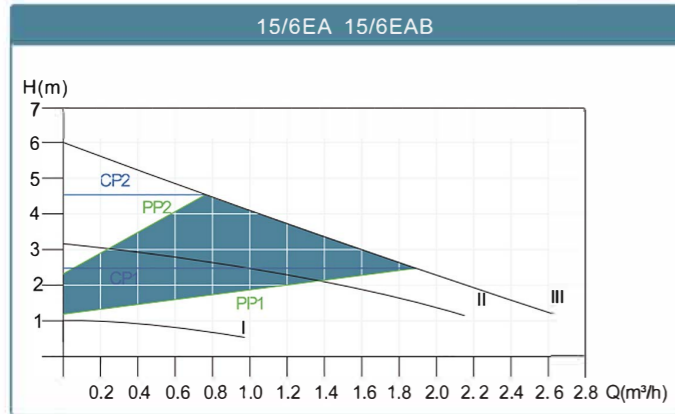
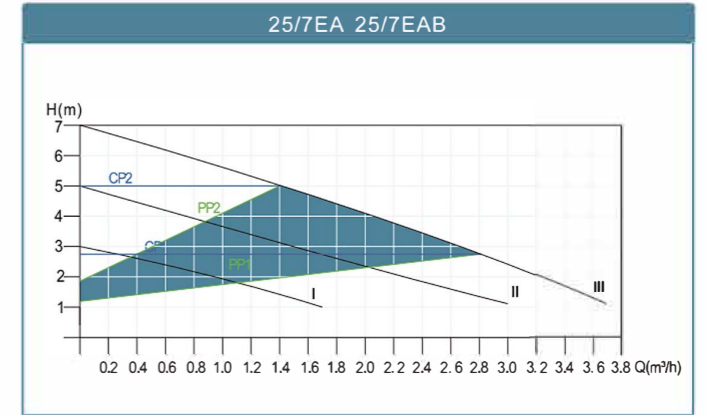
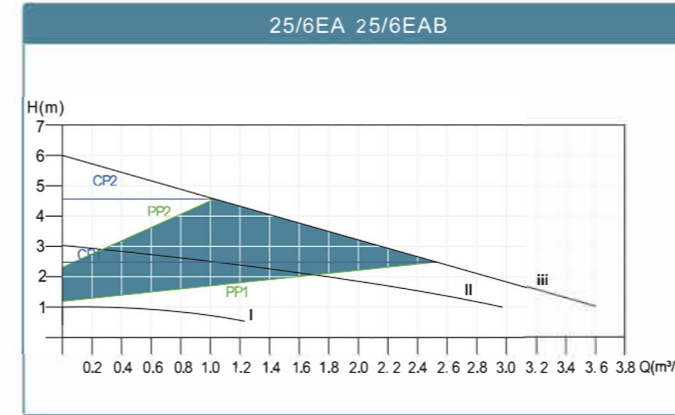
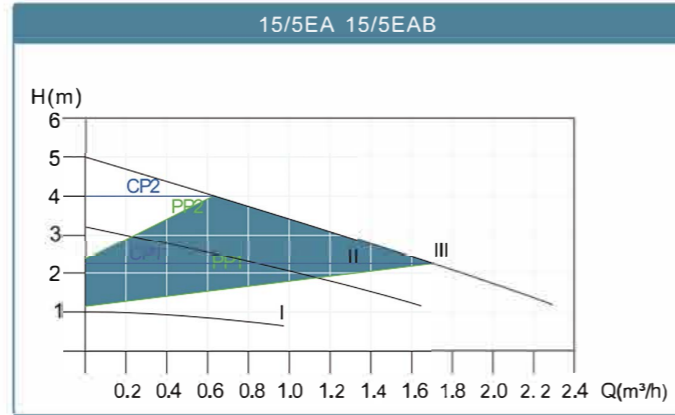
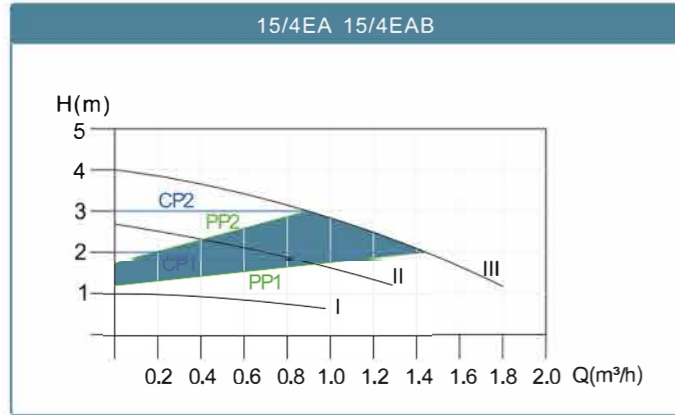
HRS15/4EAB

Setting	pump curve	Function
PP1	Lowest proportional-pressure curve	The duty point of the pump will move up or down on the lowest proportional-pressure curve, depending on heating demand. The head (pressure is reduced at falling heating demand and increased at rising heating demand)
PP2	Highest proportional-Pressure curve	The duty point of the pump will move up or down on the highest proportional-pressure curve, depending on heating demand. The head (pressure is reduced at falling heating demand and increased at rising heating demand)
CP1	Lowest constant-Pressure curve	The duty point of the pump will move out or in constant-pressure curve, depending on the heating demand. The head (pressure) is kept constant, irrespective of the heating demand.
CP2	Highest constant-Pressure curve	The duty point of the pump will move out or in constant-pressure curve, depending on the heating demand. The head (pressure) is kept constant, irrespective of the heating demand.
III	Speed III	Pump runs at a constant speed and consequently on a constant curve. In speed III, the pump is set to run on the Max. curve under all operating conditions. Quick venting of the pump can be obtained by setting the pump to speed III for a short period.
II	Speed II	Pump runs at a constant speed and consequently on a constant curve. In speed II, the pump is set to run on the Medium curve under all operating conditions.
I	Speed I	Pump runs at a constant speed and consequently on a constant curve. In speed I, the pump is set to run on the Min. curve under all operating conditions.
AUTO (EX-factory Setting)		Under "AUTO" mode, the power of pump automatically be up or down according to flow of system in certain condition.
night mode		Pump runs select to night mode, after one hour the power automatically down, after two hours, it will be down lowest between 5-10watt, after seven hours, the pump auto mode eliminate and recovery to original condition.

Technical Parameter

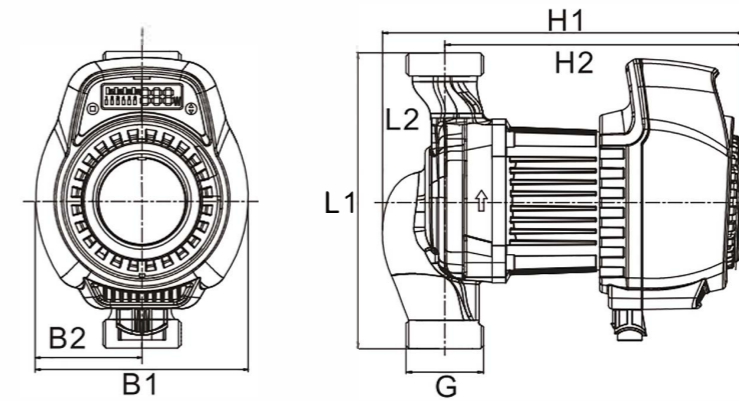
Model	Power (W)	Max.Flow (m ³ /h)	Max.Head (m)	Voltage 220V/50Hz	Mater of pump body				Dimension(mm)						Weight (Kg)		
					Cast Iron	Plastic	Brass	Stainless steel	L1		E2	B1	E2	H1		H2	G
									130	180							
HRS15/4EA		1.8			★		★	★	★		80	155	105	129	101	1"	2.1
HRS25/4EA	5~22	2.6	4	★	★		★		★	★	80	155	105	129	101	1 1/2"	2.3
HRS32/4EA		3			★				★		80	155	105	129	101	2"	2.4
HRS15/5EA		2.3			★		★	★	★		80	155	105	129	101	1"	2.1
HRS25/5EA	5~32	3.1	5	★	★		★		★	★	80	155	105	129	101	1 1/2"	2.3
HRS32/5EA		3.4			★				★		80	155	105	129	101	2"	2.4
HRS15/6EA		2.4			★		★	★	★		80	155	105	129	101	1"	2.1
HRS25/6EA	5~45	3.6	6	★	★		★		★	★	80	155	105	129	101	1 1/2"	2.3
HRS32/6EA		3.6			★				★		80	155	105	129	101	2"	2.4
HRS15/7EA		2.7			★		★	★	★		80	155	105	129	101	1"	2.1
HRS25/7EA	5~47	3.7	7	★	★		★		★	★	80	155	105	129	101	1 1/2"	2.3
HRS32/7EA		3.7			★				★		80	155	105	129	101	2"	2.4

Model	Power (W)	Max.Flow (m ³ /h)	Max.Head (m)	Voltage 220V/50Hz	Mater of pump body				Dimension(mm)						Weight (Kg)		
					Cast Iron	Plastic	Brass	Stainless steel	L1		L2	B1	H2	H2		H2	G
									130	180							
HRS15/4EAB		1.8			★		★	★	★		106	96	46	165	136	1"	2.1
HRS25/4EAB	5~22	2.6	4	★	★		★		★	★	106	96	46	165	136	1 1/2"	2.3
HRS32/4EAB		3			★				★		106	96	46	165	136	2"	2.5
HRS15/5EAB		2.3			★		★	★	★		106	96	46	165	136	1"	2.1
HRS25/5EAB	5~32	3.1	5	★	★		★		★	★	106	96	46	165	136	1 1/2"	2.3
HRS32/5EAB		3.4			★				★		106	96	46	165	136	2"	2.5
HRS15/6EAB		2.4			★		★	★	★		106	96	46	165	136	1"	2.1
HRS25/6EAB	5~45	3.6	6	★	★		★		★	★	106	96	46	165	136	1 1/2"	2.3
HRS32/6EAB		3.6			★				★		106	96	46	165	136	2"	2.5
HRS15/7EAB		2.7			★		★	★	★		106	96	46	165	136	1"	2.1
HRS25/7EAB	5~47	3.7	7	★	★		★		★	★	106	96	46	165	136	1 1/2"	2.3
HRS32/7EAB		3.7			★				★		106	96	46	165	136	2"	2.5



INTELLIGENT PUMP

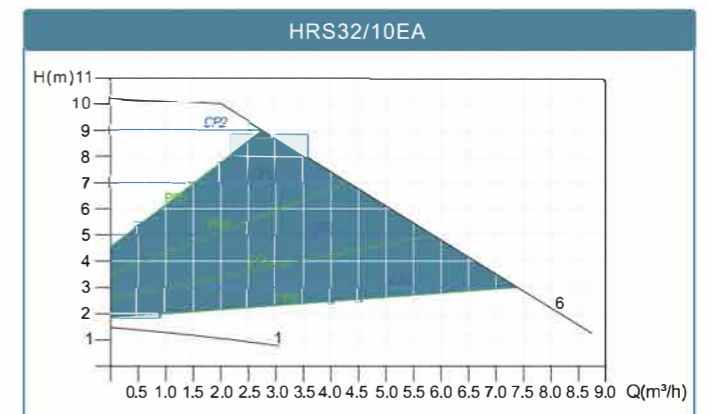
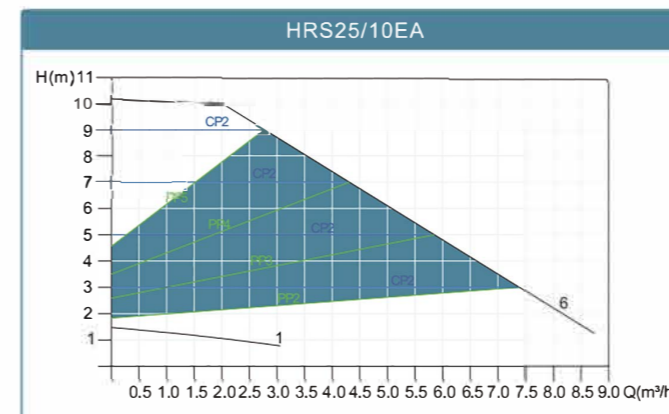
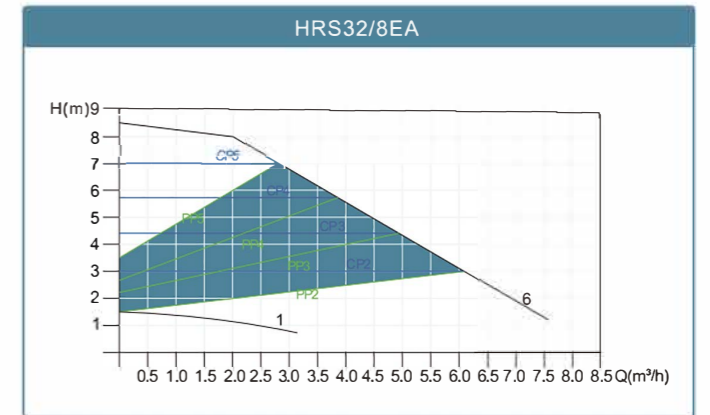
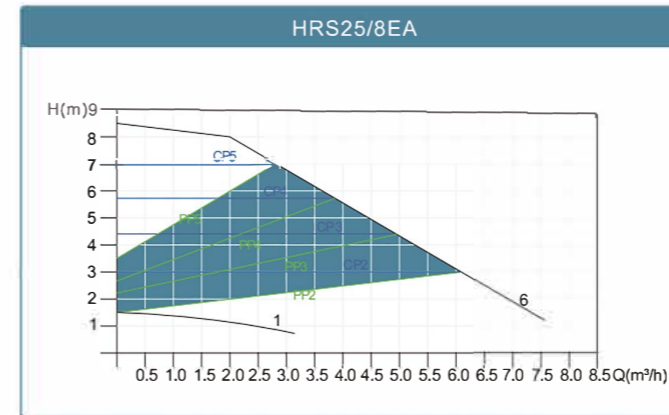
INTELLIGENT PUMP

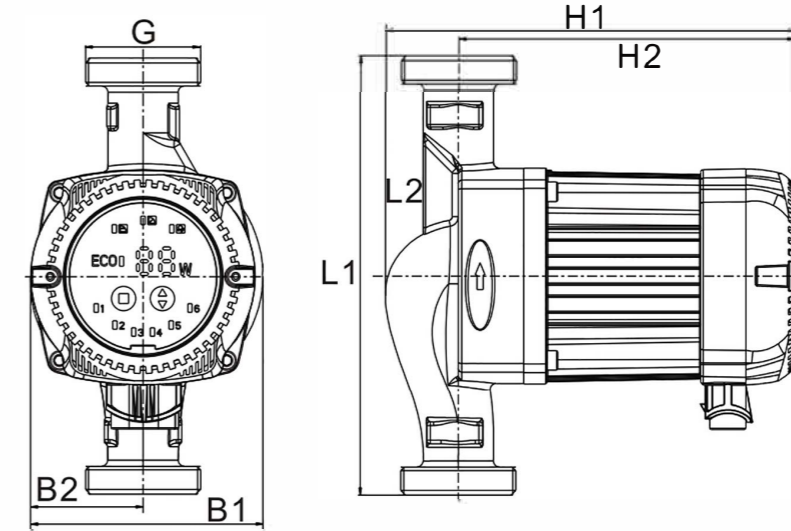


Pos.	
	Light in Constant Pressure
	Light in Proportional Pressure
	ECO mode
	Light in Air-Vent (Press Setting Button for 5~6seconds)
	Power Light
	Button for change of control mode (The button is used for change the pumps modes, for example: from constant pressure to proportional pressure, or to ECO mode, also can for Air-venting mode.)
	Light for each speeds (The 6 lights are shown the different working conditions. Only under two modes(constant pressure and proportional pressure, these lights can be chosen.)
	Button for setting (This button is used for setting the different speeds(light in 1,2,3,4,5,6) for two modes. Using this button, we can chose the speeds from Max.to Min..)
Conrol Panel Pump Curve	Description
 CP2,CP3,CP4,CP5	The operating point moves back and forth on the curve according to the volume of flow from the system. As shown in the graph, the pump pressure remains constant, not affected by the volume demands of flow.
 CP1--PP1 CP6--PP6	The two speeds are the Min. and Max. ones under constant pressure, the curve shown as in graph. can not keep constant. It rises and goes down as manual operation.
 PP2,PP3,PP4,PP5	The operating point moves back and forth on the proportional pressure curve according to the volume of flow from system. As shown in the graph. the pump pressure is directly proportional to the flow demands.
 CP1--PP1 CP6--PP6	The two speeds are the Min. and Max. ones under proportional pressure, the curve shown as in graph. can not keep constant. It rises and goes down as manual operation.
 ECO	This mode use working as "auto adaptation". It confines the performance of the pumps in aimed scope. As shown in graph.: 1.Performance can be adjusted according to the scale of system 2.Performance can be adjusted according to the changing of load during a specific period. Under the mode of ECO", the pump is controlled by means of proportional pressure.

Technical Parameter

Model	Power (W)	Max.Flow (m³/h)	Max.Head (m)	Voltage 220V/50Hz	Mater of pump body				Dimension(mm)						Weight (Kg)	
					Cast Iron	Plastic	Brass	Stainless steel	L1	L2	B1	B2	H1	H2		G
HRS25/8EA	5~130	7.5	8	★	★				180	90	129	64.5	236	184	1 1/2"	3.3
HRS32/8EA		10.2							180	90	129	64.5	236	184	2"	
HRS25/10EA	5~180	7.8	10	★	★				180	90	129	64.5	236	184	1 1/2"	3.3
HRS32/10EA		10.8							180	90	129	64.5	236	184	2"	

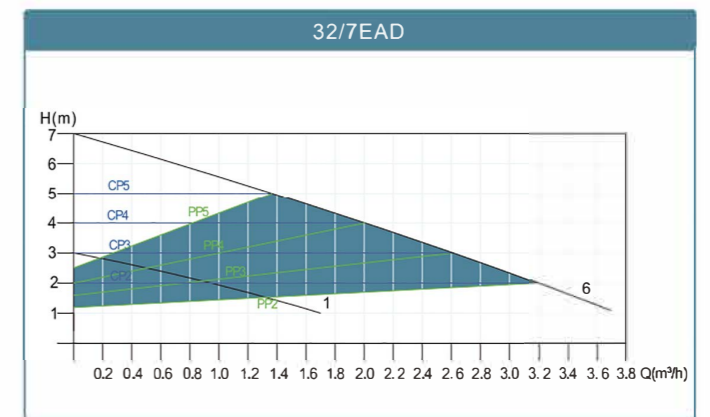
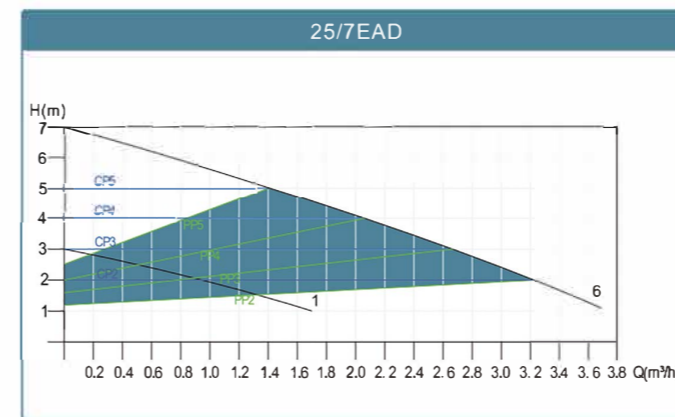
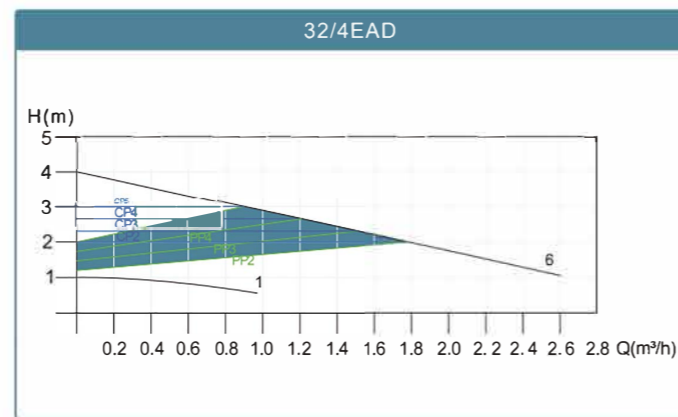
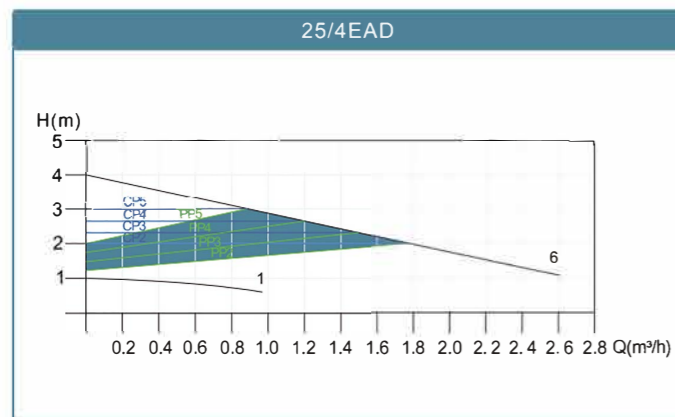
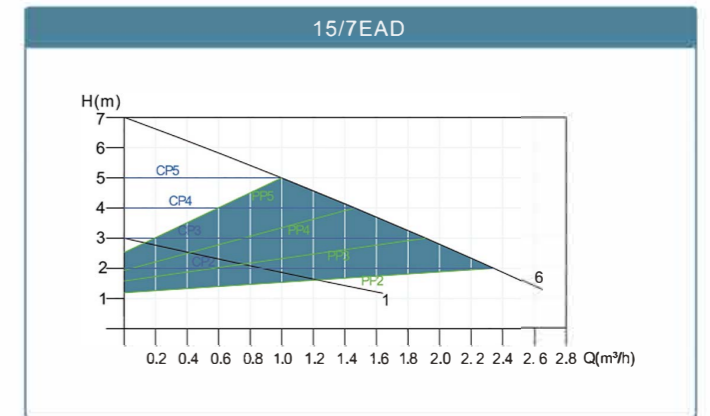
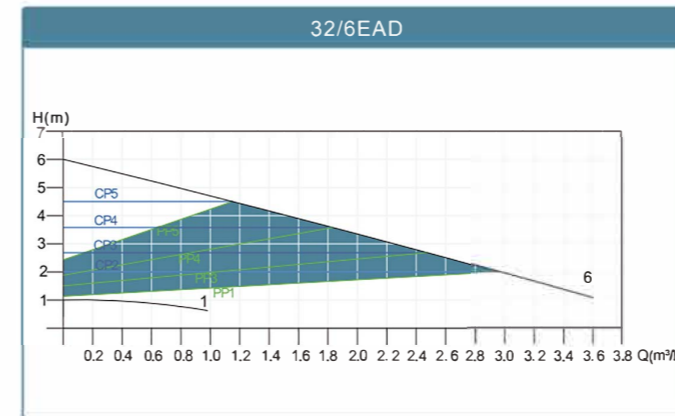
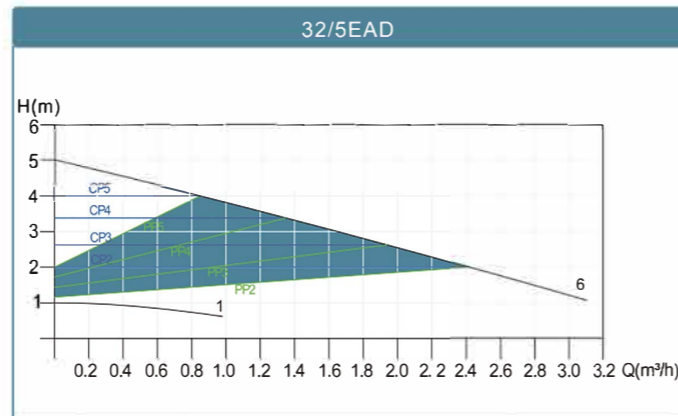
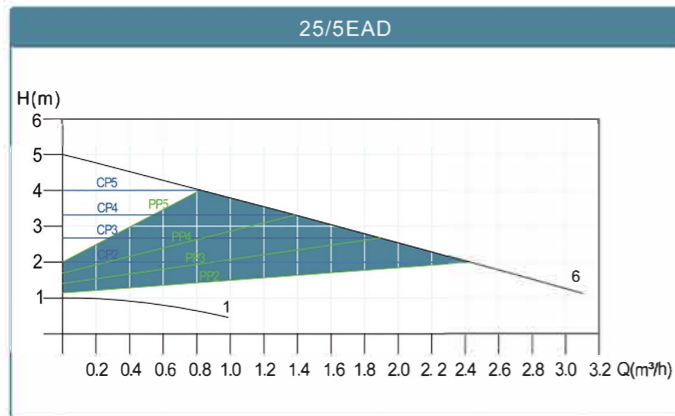
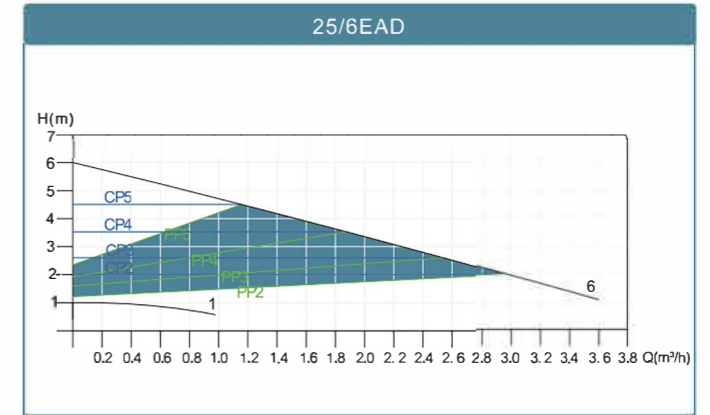
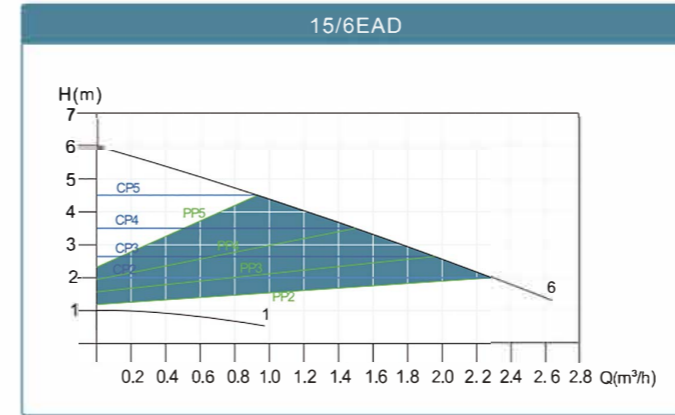
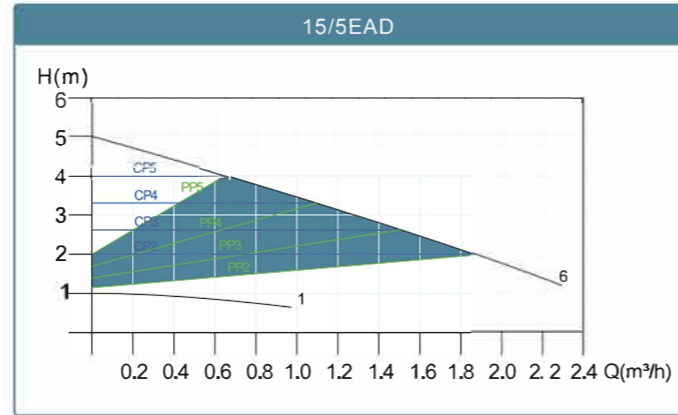
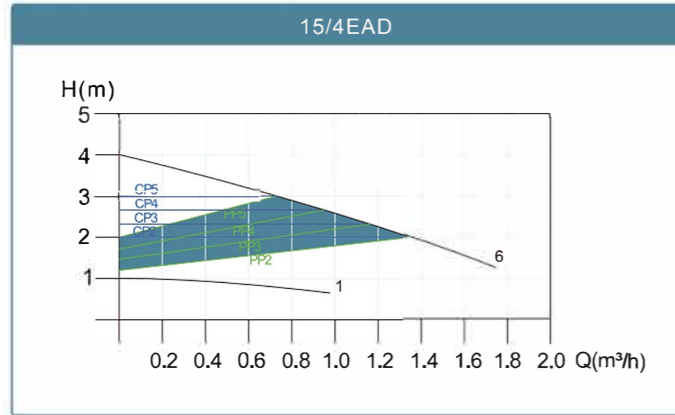




	Light in Air-vent (press setting Button for 5-6 seconds)	The pump vents air inside it under this mode
	Proportation pressure	The duty point of the pump will move up or down on the proportional-pressure curve, depending on heating demand. The head (pressure is reduced at falling heating demand and increased at rising heating demand)
	Constant pressure	The duty point of the pump will move out or in constant-pressure curve, depending on the heating demand. The head (pressure) is kept constant, irrespective of the heating demand.
ECO	ECO mode	The duty point of the pump will move out or in constant-pressure curve, depending on the heating demand. The head (pressure) is kept constant, irrespective of the heating demand.
1 2 3 4 5 6	Light for each speed	The 6 lights are shown the different working conditions, Only under two modes(constant pressure and proportational pressure , these lights can be chosen)
	Button for setting	this button is used for setting the different speeds (lights in 1,2,3,4,5,6)for two modes. Using button, we can chose the speeds from Max. to Min.)
	Mode control button	The button is used for change the pumps' models, for example: from constant pressure to proportational pressure, or to ECO mode, also can for Air-venting mode.
88W	Power light	

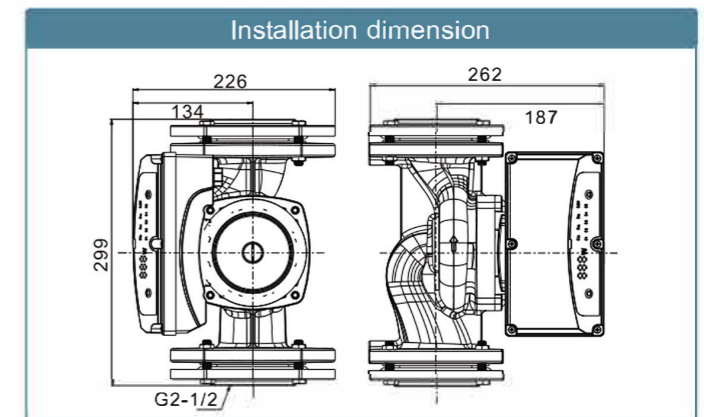
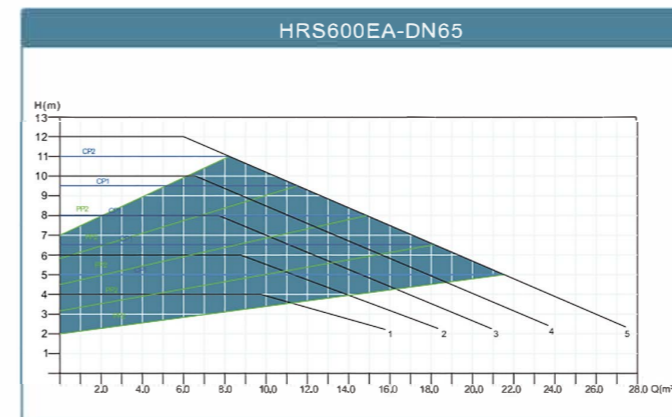
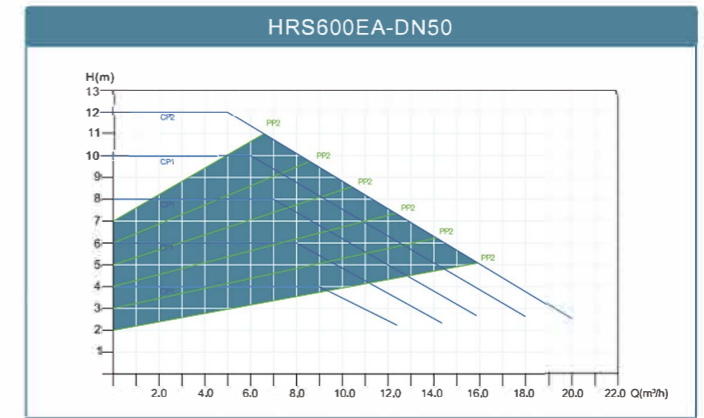
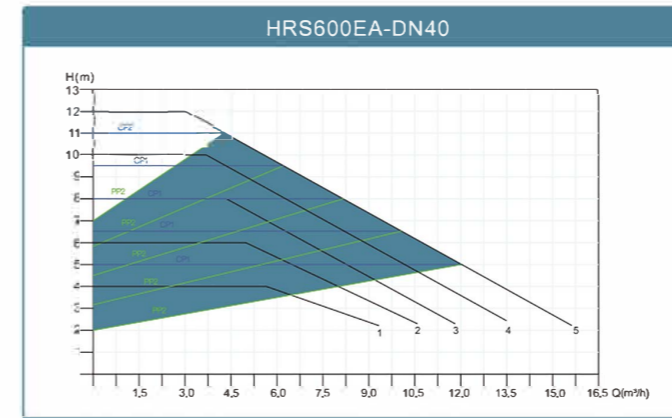
Technical Parameter

Model	Power (W)	Max.Flow (m³/h)	Max.Head (m)	Voltage 220V/ 50Hz	Mater of pump body				Dimension(mm)							Weight (Kg)	
					Cast Iron	Plastic	Brass	Stainless steel	L1		L2	B1	B2	H1	L2		G
									130	180							
HRS15/4EAD		1.8			★		★	★	★			96	46	169	139	1"	2.1
HRS25/4EAD	5~22	2.6	4	★	★		★		★	★		96	46	169	139	1 1/2"	2.3
HRS32/4EAD		3			★					★		96	46	169	139	2"	2.4
HRS15/5EAD		2.3			★		★	★	★			96	46	169	139	1"	2.1
HRS25/5EAD	5~32	3.1	5	★	★		★		★	★		96	46	169	139	1 1/2"	2.3
HRS32/5EAD		3.4			★					★		96	46	169	139	2"	2.4
HRS15/6EAD		2.4			★		★	★	★			96	46	169	139	1"	2.1
HRS25/6EAD	5~45	3.6	6	★	★		★		★	★		96	46	169	139	1 1/2"	2.3
HRS32/6EAD		3.6			★					★		96	46	169	139	2"	2.5
HRS15/7EAD		2.7			★		★	★	★			96	46	169	139	1"	2.1
HRS25/7EAD	5~47	3.7	7	★	★		★		★	★		96	46	169	139	1 1/2"	2.3
HRS32/7EAD		3.7			★					★		96	46	169	139	2"	2.4



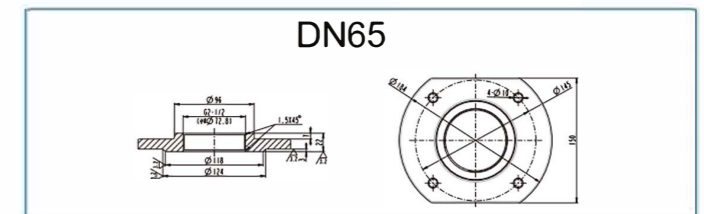
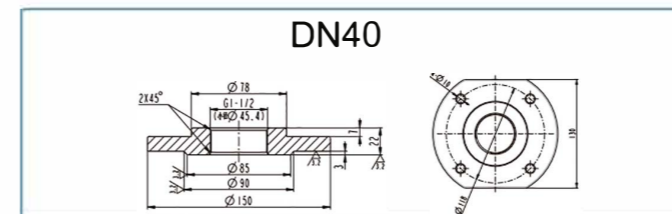
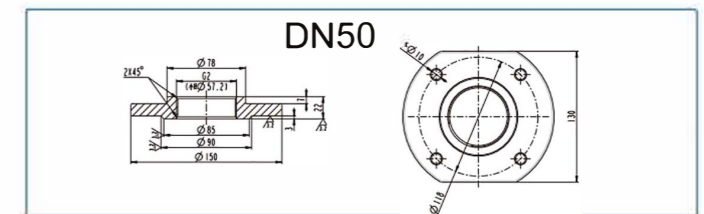
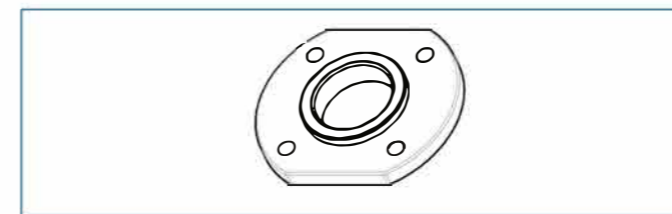
INTELLIGENT PUMP

INTELLIGENT PUMP



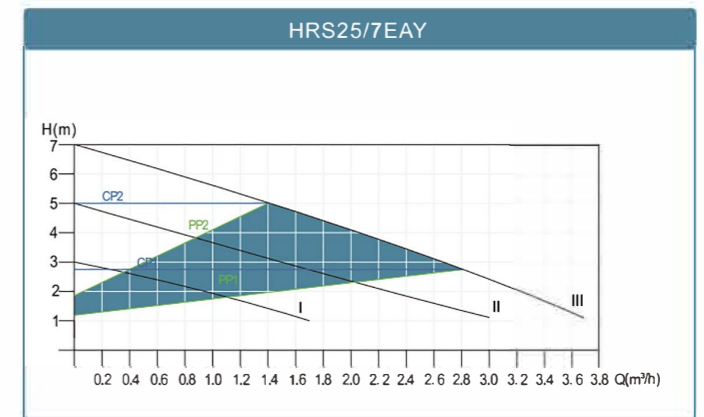
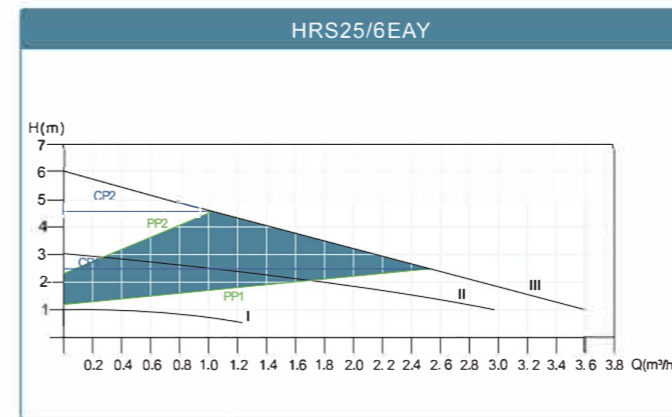
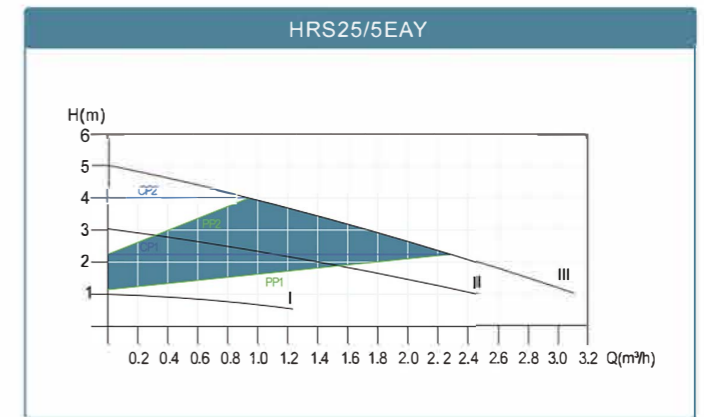
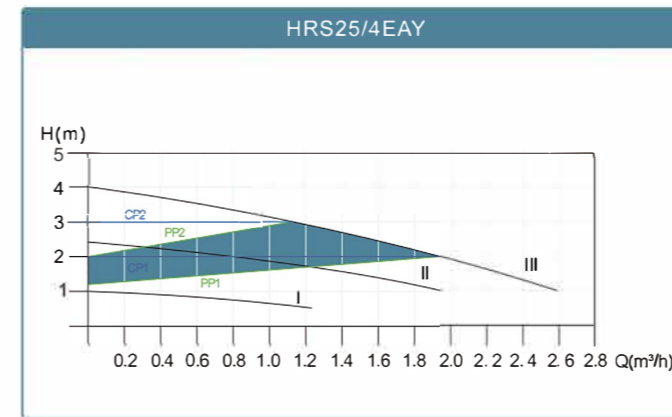
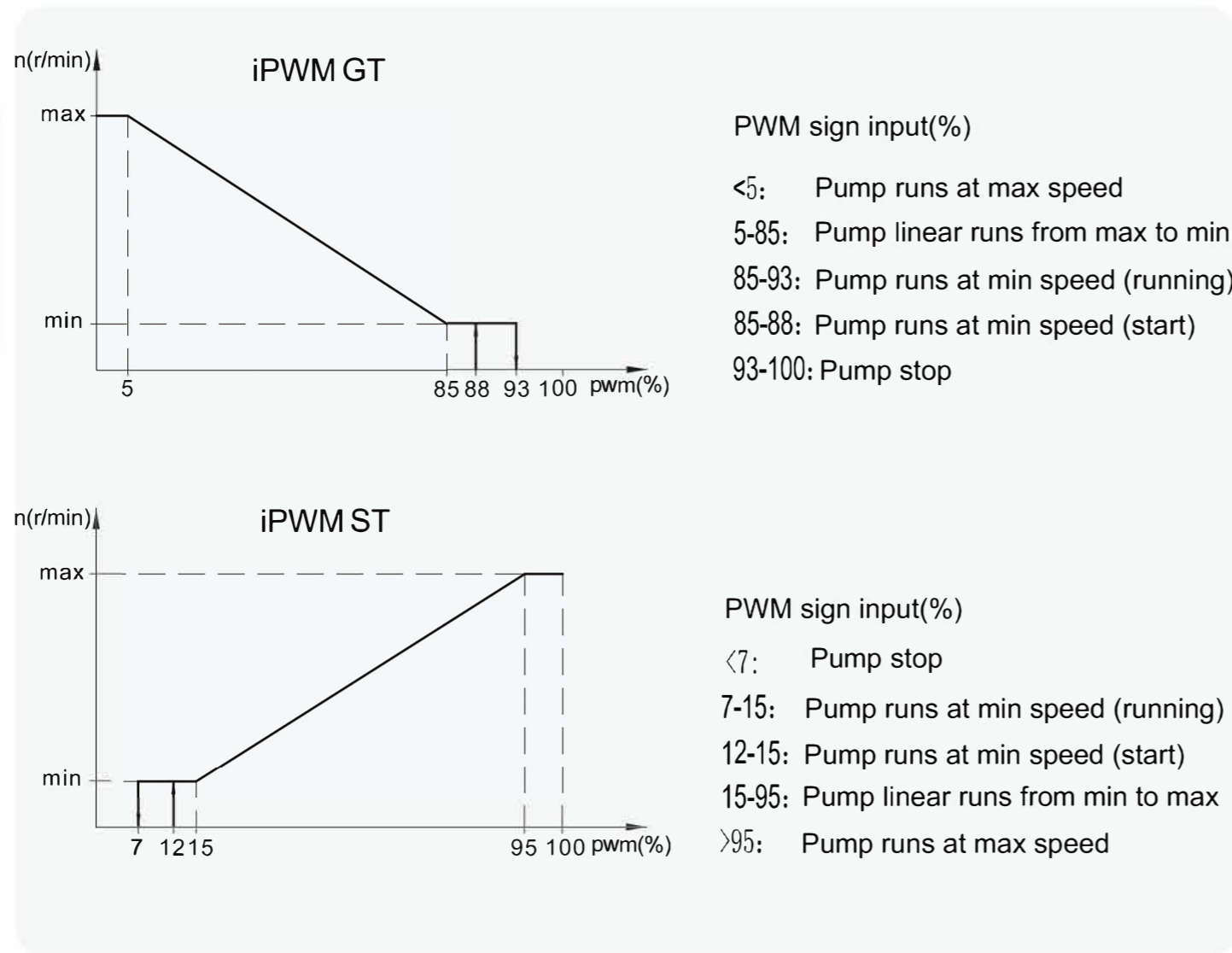
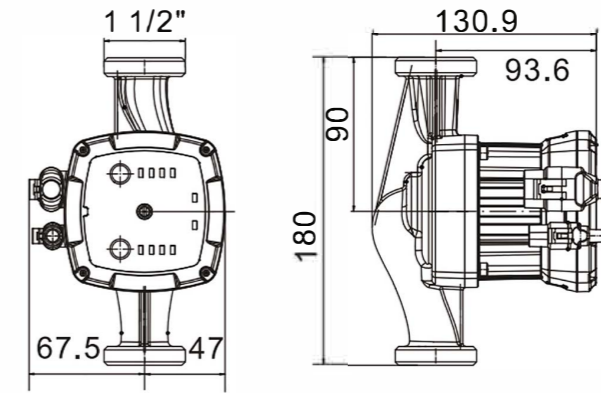
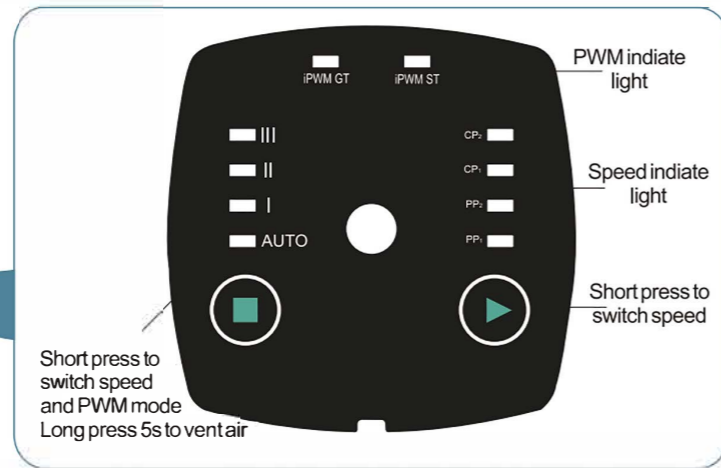
	Manual Mode		Light for each speeds
	Proportional Pressure Mode		Mode button
	Constant Pressure Mode		Button for speed change
	ECO Mode		Power display Light

Control Panel Pump Curve	Description
<p>CP2,CP3,CP4</p>	The Operating Point moves back and forth on the curve according to the volume of flow from the system. As shown in the graph, the pump pressure remains constant, not affected by the volume demands of flow.
<p>CP1--Min. Speed CP5--Max.Speed</p>	The two speeds are the min. and Max. ones under constant Pressure, the curve shown as in graph. can not keep constant. It rises and goes down as Manual operation.
<p>PP2,PP3,PP4</p>	The Operating Point moves back and forth on the Proportional Pressure curve according to the volume of flow from system. As shown in the graph. the pump pressure is directly proportional to the flow demands.
<p>CP1--Min. Speed CP5--Max.Speed</p>	The two speeds are the min. and Max. ones under Proportional Pressure, the curve shown as in graph. can not keep constant. It rises and goes down as Manual operation.
<p>ECO</p>	this mode use working as "autoadaptation". It confines the performance of the pumps in aimed scope. As shown in Graph.: 1.Performance can be adjusted according to the scale of system 2.Performance can be adjusted according to the changing of load during a specific period. Under the mode of ECO", the pump is controlled by means of Proportional pressure.



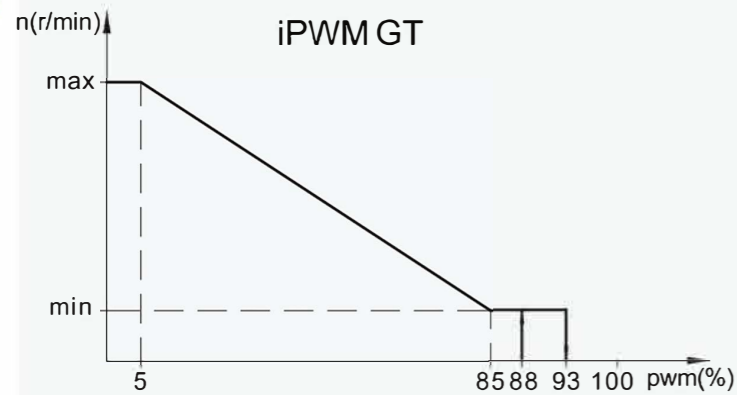
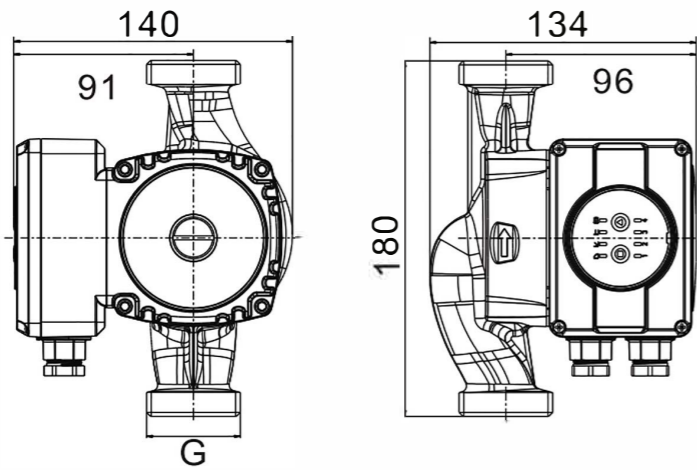
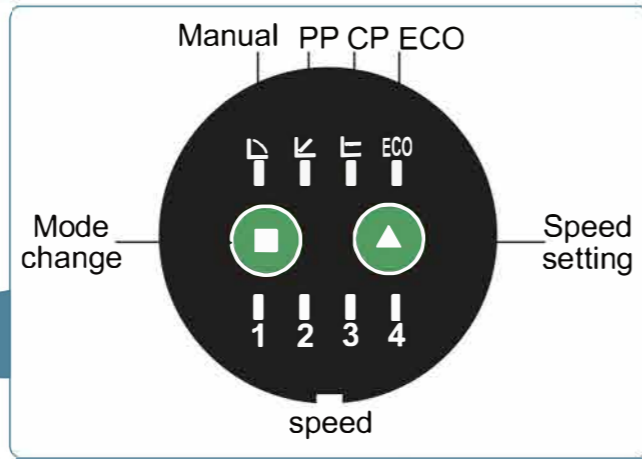
Technical Parameter

Model	Connection size	Rated Flow	Max. Head	Power	Voltage/Frequency
	(Inch)	(m³/h)	(m)	(W)	(V/Hz)
HRS600EA-DN40	2"	22	12	600	
HRS600EA-DN50	2"	22	12	600	220/50
HRS600EA-DN65	2"	22	12	600	



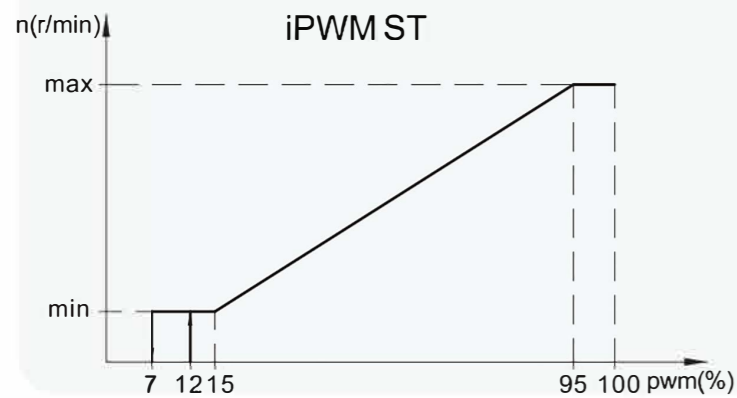
Technical Parameter

Model	Power	Max.Flow	Max. Head	Voltage	Body Length		G
	(W)	(m³/h)	(m)		130	180	
HRS25/4EAY	5-22	2.6	4	220/50	★	★	1 1/2"
HRS25/5EAY	5-32	3.1	5		★	★	
HRS25/6EAY	5-45	3.6	6		★	★	
HRS25/7EAY	5-52	3.7	7		★	★	



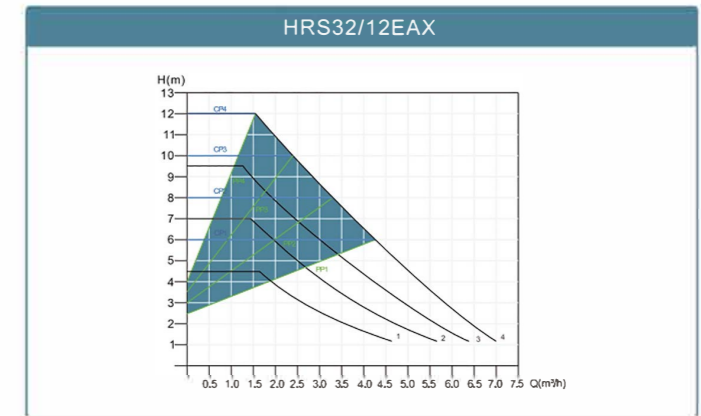
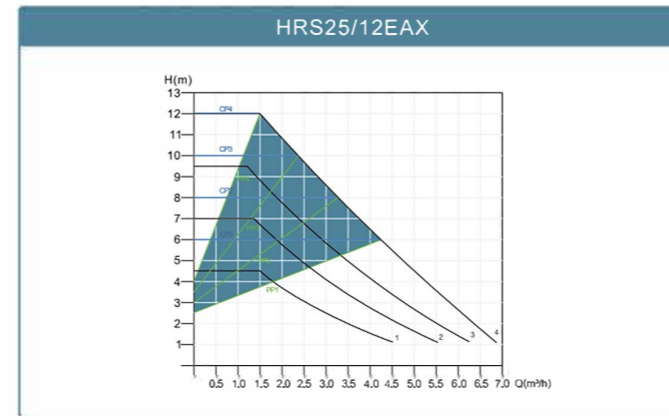
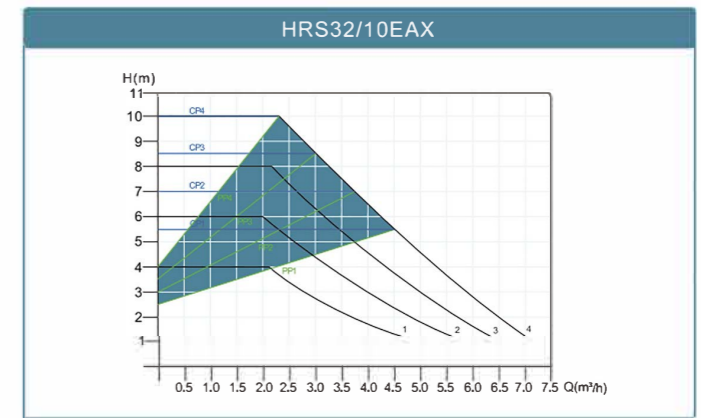
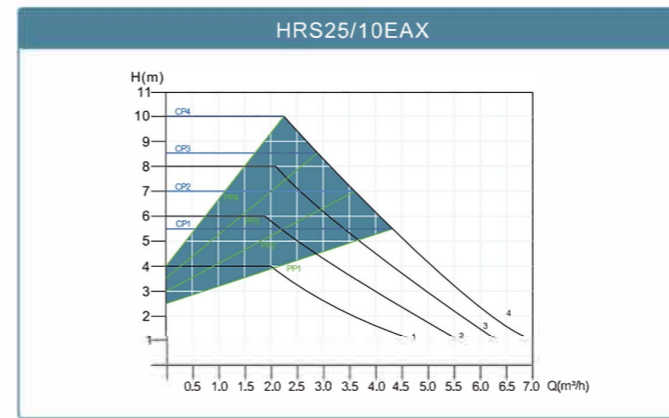
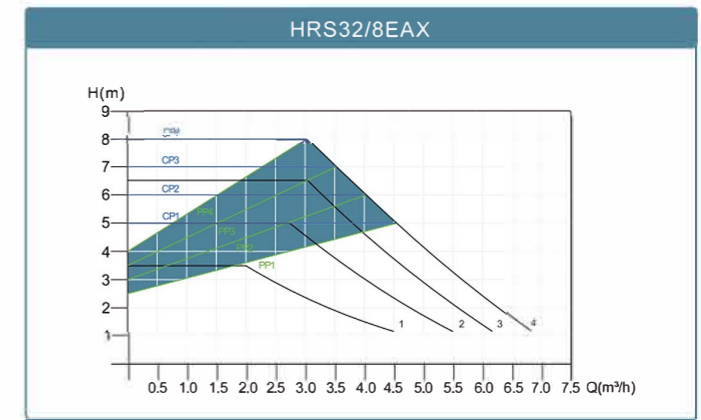
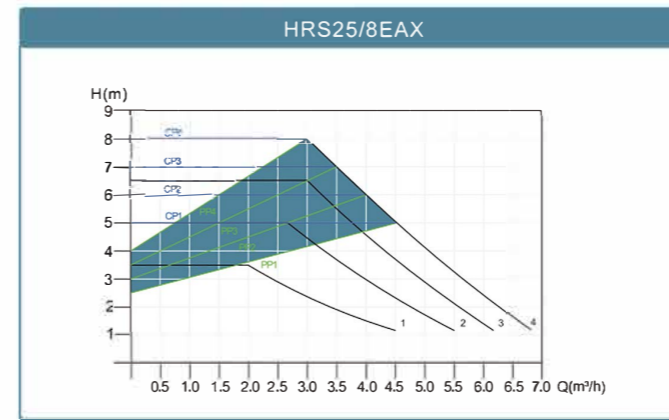
PWM sign input(%)

- <5: Pump runs at max speed
- 5-85: Pump linear runs from max to min
- 85-93: Pump runs at min speed (running)
- 85-88: Pump runs at min speed (start)
- 93-100: Pump stop



PWM sign input(%)

- <7: Pump stop
- 7-15: Pump runs at min speed (running)
- 12-15: Pump runs at min speed (start)
- 15-95: Pump linear runs from min to max
- >95: Pump runs at max speed



Technical Parameter

Model	Power	Max.Flow	Max. Head	Voltage	Body Length		G	
	(W)	(m³/h)	(m)		130	130		
HRS25/8EAX	12~140	6.8	8	220/50	★	★	1 1/2"	
HRS25/10EAX			10		★	★		
HRS25/12EAX			12		★	★		
HRS32/8EAX		8	7.3		10	★	★	2"
HRS32/10EAX		10						
HRS32/12EAX		12						



Product features

- Constant pressure
- Efficient
- Energy saving
- Comfortable

Materials

ABS casing, stainless steel pump body, stainless steel impeller, 304 welded shaft, silicon carbide to graphite mechanical seal, Sensata pressure sensor, IP54

Core technology

Permanent magnetic synchronous motor, insensitive FOC vector drive technology, check valve eliminates water hammer

Product overview

Motor insensitive drive technology (FOC), fully realize the zero maintenance of the motor system;

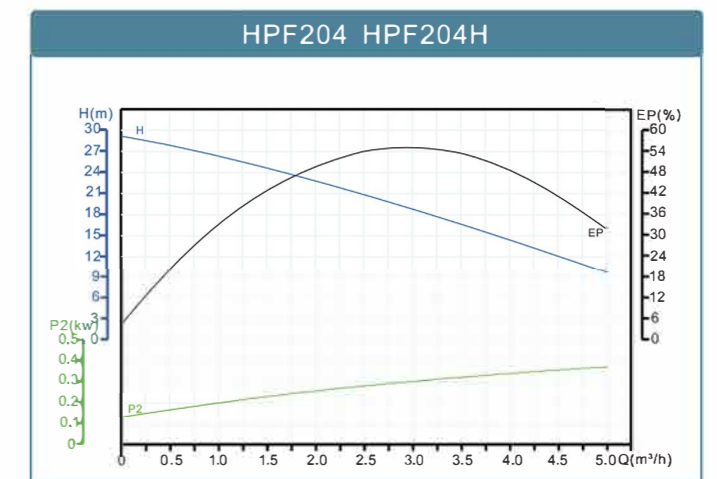
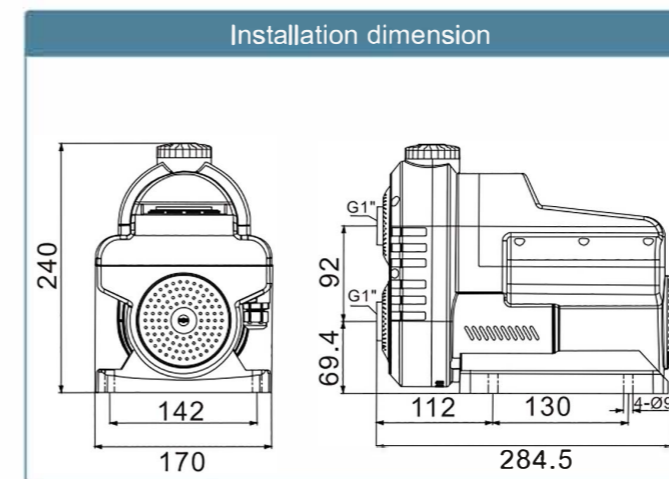
The rotor shaft uses stainless steel welding technology to ensure that overwater components never rust;

Supporting ICD display human-machine interface, simple operation;

Equipped with industrial-grade pressure sensors;

System integration reverse valve structure;

A constant pressure control system designed for the home to achieve a complete constant water pressure.



Technical Parameter

Model	Power	Max.Flow	Max. Head	Rated Head	Max.Speed	G
	(W)	(m³/h)	(m)	(m)	(RPM)	
HPF204	550	4.8	28	22	4000	1"
HPF204H	650	5.0	40	30	4800	1"

The world's first self-priming booster pump with shield variable frequency permanent magnetmotor

Providing strong Boosting, Smart energy consumption
Lowest noise, working noise lower than 45db(A)

Multiple Protection

Lack pressure, locked rotor, water shortage, over heating, antifreeze, leakage reminder

Multi-function water pump, unique temperature control mode

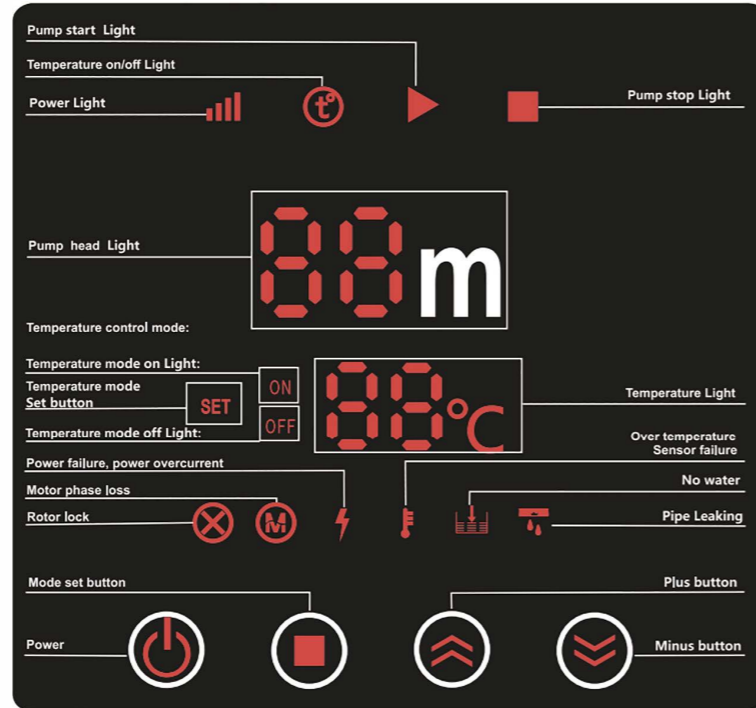
Boosting pressure for whole house and providing power for circulation system

Friendly operation panel, APP controller connect everything

Good service for your family in anytime or anywhere everyday

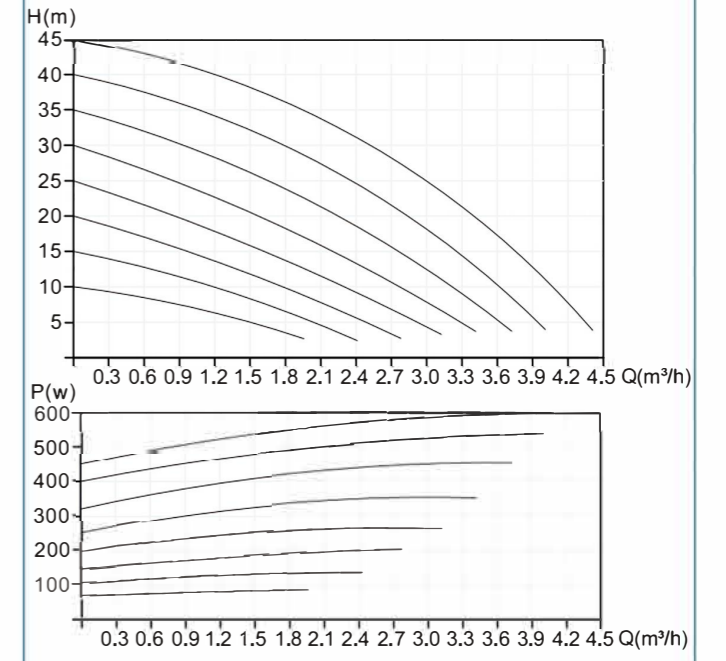
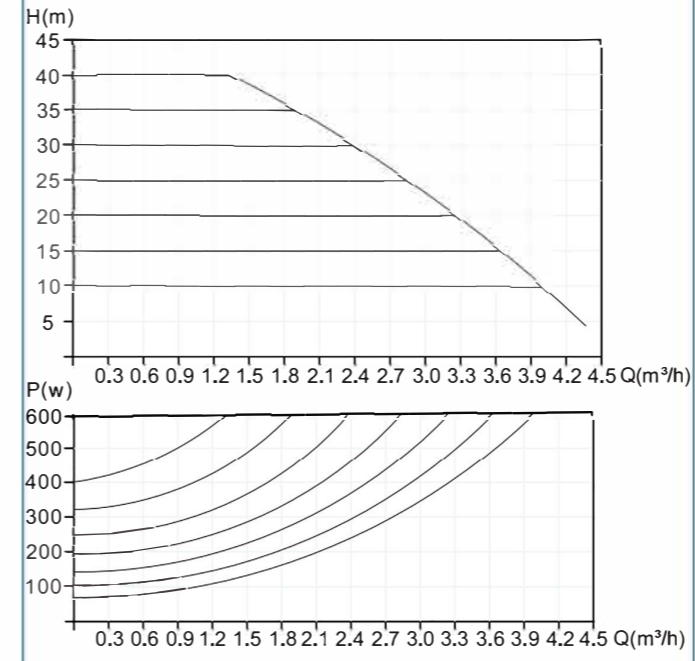
HGZ15/45EA-A

Function Panel



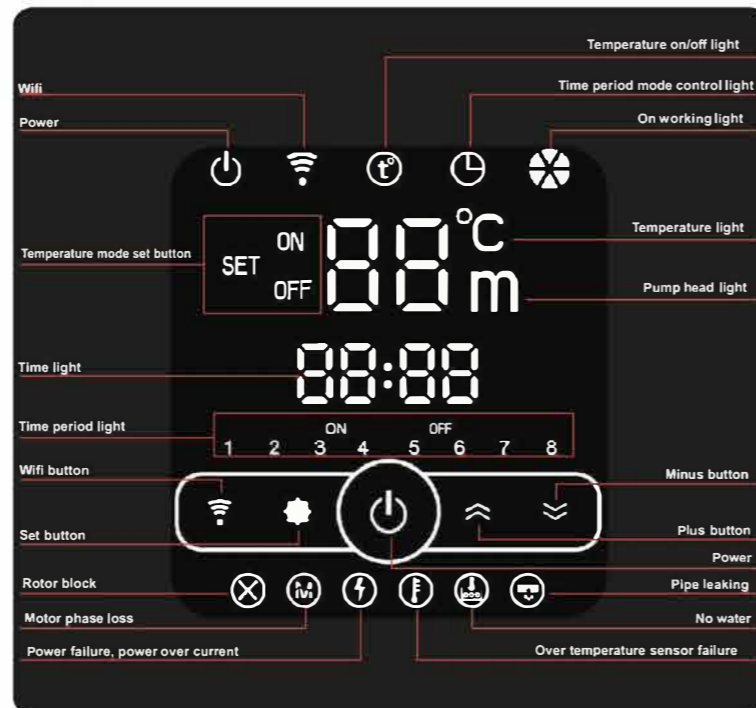
Constant pressure

Automatic



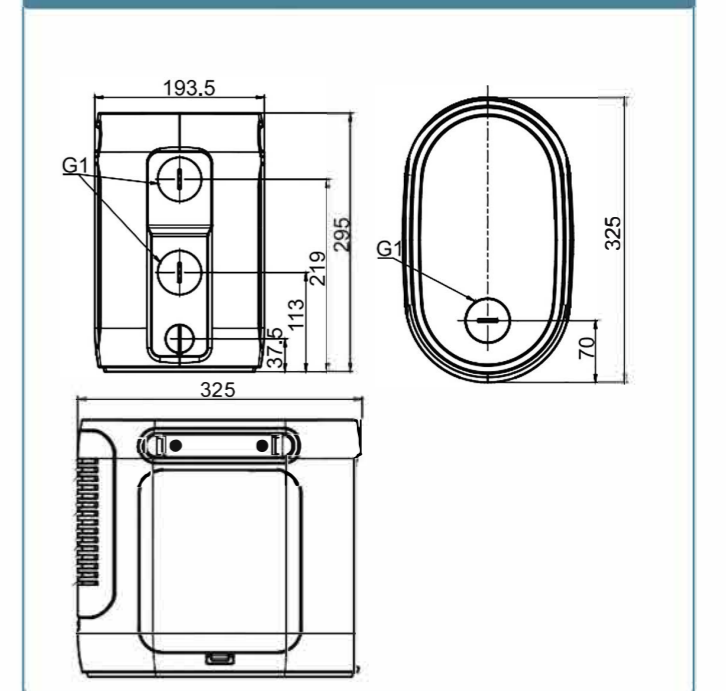
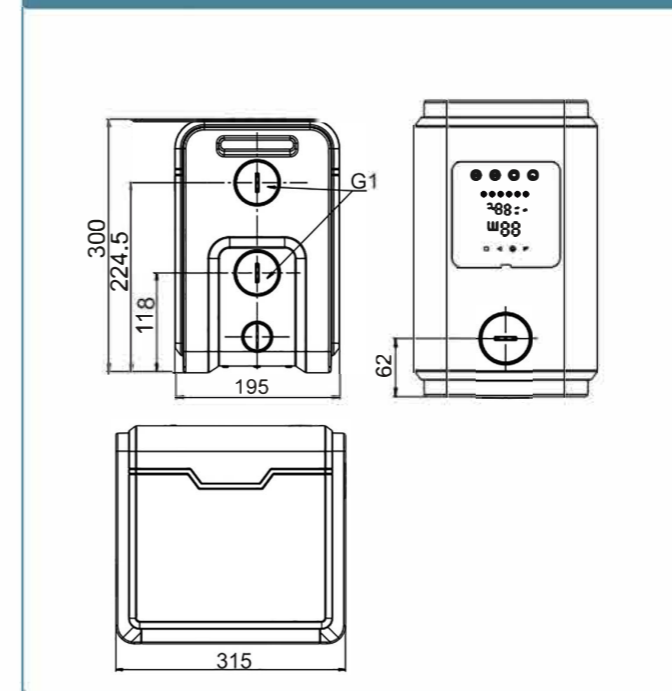
HGZ15/45EA-B

Function Panel



HGZ15/45EA-A

HGZ15/45EA-B



Model	Connection size (Inch)	Rated Flow (m³/h)	Rated Head (m)	Max. Head (m)	Power (W)	Max. Suction (m)
HGZ15-45EA	1"	2.5	25	45	600	8

HGZ15/35EA-A



HGZ15/35EA-B



Temperature °C

Ambient Temp.	2~40
Liquid Temp.	2~95

⚠ Ambient temperature shall be lower than liquid temperature, or the pump will be condensation
 If ambient temperature is too low, anti-freezing work shall be done.
 When not in use, the water in the pump body shall be removed to prevent frost cracking

Pressure bar Mpa

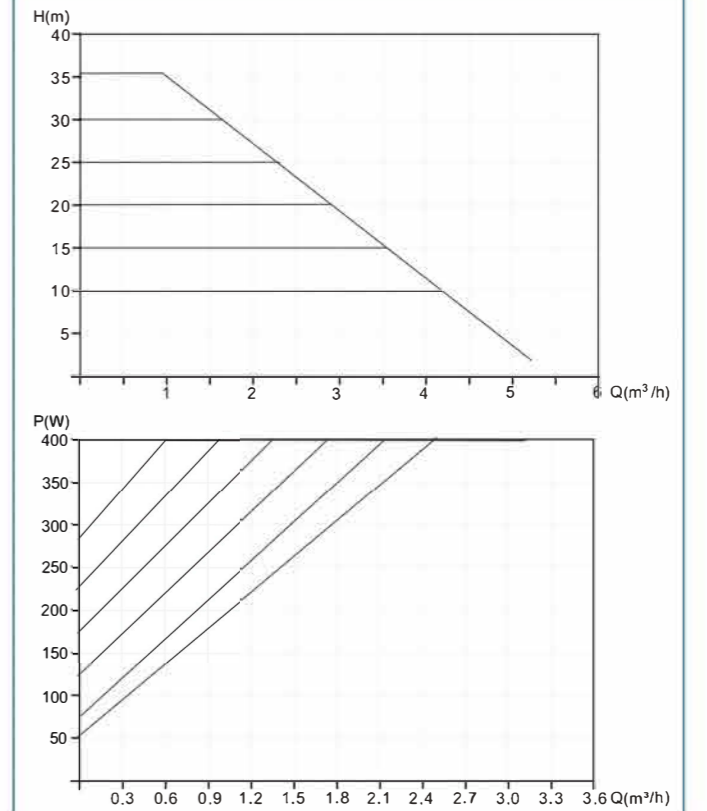
Max. system pressure	10	1
Max. inlet pressure	6	0.6

⚠ In order to avoid noise caused by cavitation and damage to the bearing of the water pump, the minimum inlet pressure shall be maintained at the inlet of the water pump.

Performance

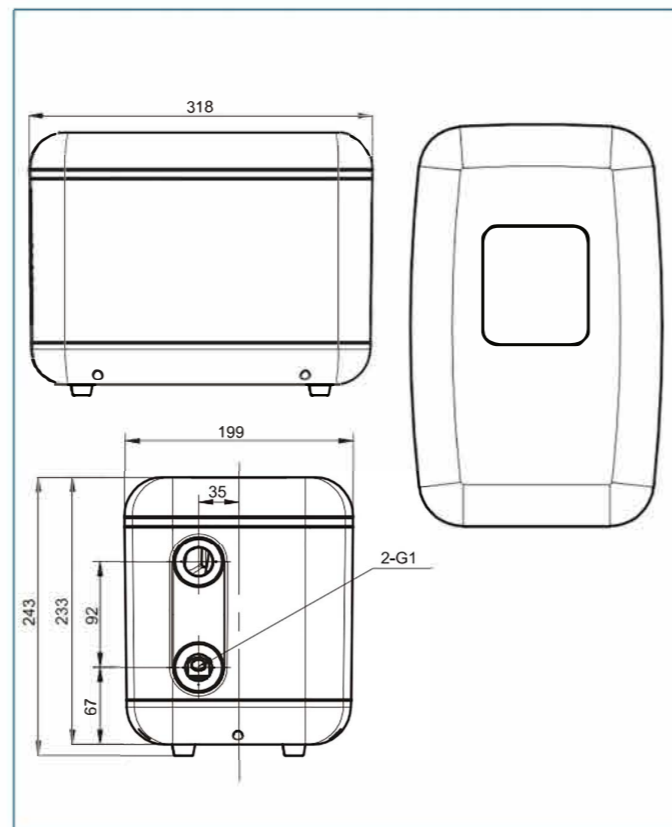
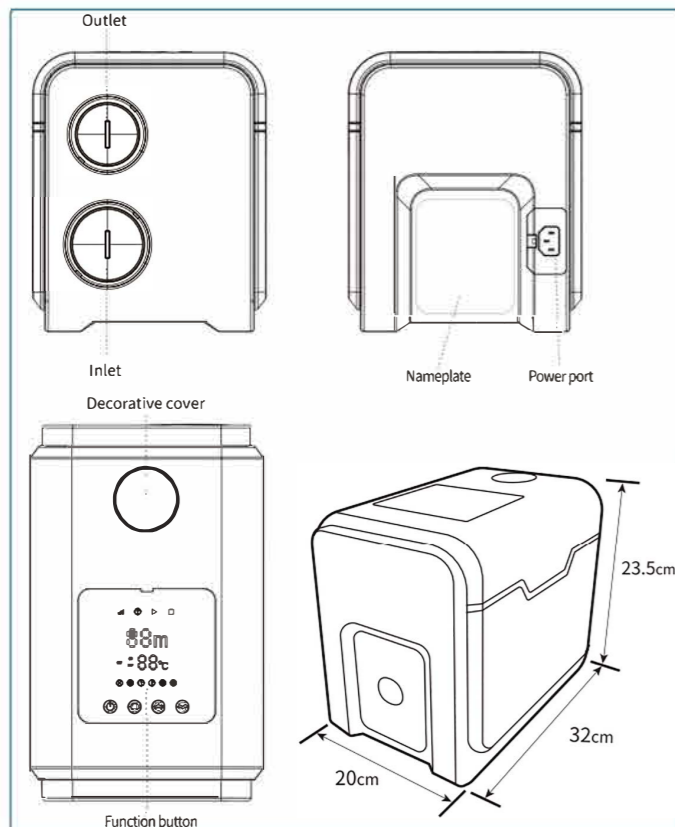
Max. head	40m
IP	X4D (open air)
Fluid	Clean water

HGZ15/35EA-A 15/35EA-B



INTELLIGENT PUMP

INTELLIGENT PUMP



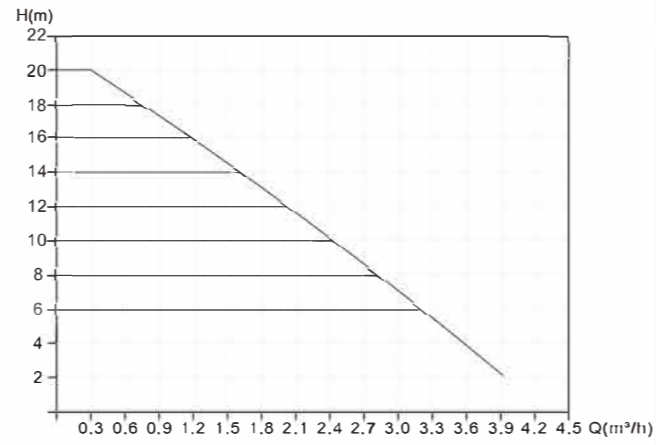
Technical Parameter

Model	Connection size	Rated Flow	Rated Head	Max. Head	Power
	(Inch)	(m³/h)	(m)	(m)	(W)
HGZ15-35EA	1"	2.2	25	40	400

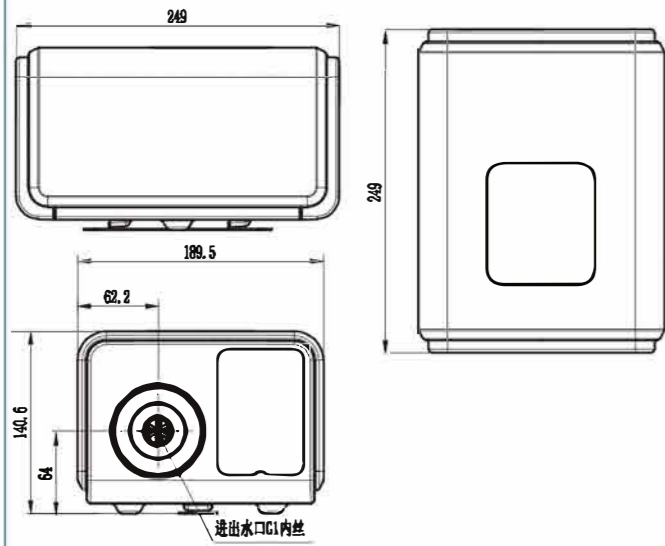
HGZ15/20EA



Constant pressure



Installation dimension



Temperature	°C
Ambient Temp.	2~40
Liquid Temp.	2~95

⚠ Ambient temperature shall be lower than liquid temperature, or the pump will be condensation. If ambient temperature is too low, anti-freezing work shall be done. When not in use, the water in the pump body shall be removed to prevent frost cracking.

Pressure	bar	Mpa
Max. system pressure	10	1
Max. inlet pressure	6	0.6

⚠ In order to avoid noise caused by cavitation and damage to the bearing of the water pump, the minimum inlet pressure shall be maintained at the inlet of the water pump.

Performance	
Max. head	20m
IP	X4D (open air)
Fluid	Clean water

Technical Parameter

Model	Connection size	Rated Flow	Rated Head	Max. Head	Power
	(Inch)	(m³/h)	(m)	(m)	(W)
HGZ15-20EA	1"	2	12	20	200