

# LQLRY Thermal Oil Pump

## RANGE OF PERFORMANCE (Including customized model)

Capacity: 4.5 ~ 700 m<sup>3</sup>/h  
Head: 20 ~ 125 m  
Speed at 50 hz: 2900 RPM  
Speed at 60 hz: 3500 RPM  
Inlet diameter: 26 ~ 300 mm  
Outlet diameter: 20 ~ 250 mm  
Power of fitted motor: 0.75 ~ 220 kw  
The Maximum working pressure: 16 bar



## APPLICATIONS

Thermal oil pumps capable of handling temperatures up to 350°C in heat transfer plants without the necessity for external cooling of the pump.

The fluids pumped must have lubricating properties and should not contain any solids or abrasive particles, as the non drive end bearing and mechanical seal is lubricated by the pumped liquid.

- Chemical and Pharmaceutical Industry
- Mineral Oil
- Food, Laundries and Textile
- Leather and Paper
- Wood Manufacturing
- Paint and Lacquer
- Building, Tar and Bitumen
- Electrical Engineering Industries

## FEATURES

LQLRY thermal oil pump is rating to EN733 (DIN24255) standard design.

The unique heat dissipation design of the bearing housing ensures a reduced temperature at the dynamic seal (or mechanical seal) faces and the bearings.

Back pull out for ease of maintenance.

These pumps are further equipped with a safety stuffing box and throttling area in front of the dynamic seal (or mechanical seal). In case of a seal failure this prevents the pumped liquid from emerging in a hazardous quantity or manner. With drain connection adequate piped up, the safety requirements of DIN 4754 are exceeded. (The pumps have a drain connection to ensure that any seepage past the shaft sealing can be safely drained through this connection).

High temperature bearings are fitted where applicable.

No special motor or coupling guard required due to unique heat dissipation design.



**BTS**  
ENGINEERING

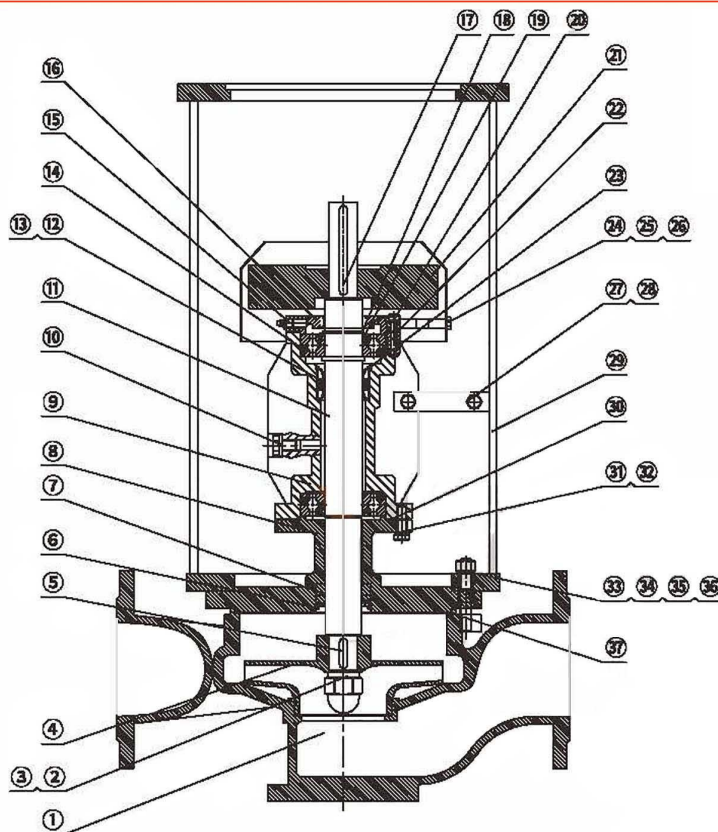
<https://prom-nasos.pro>  
<https://bts.net.ua>  
<https://prom-nasos.com.ua>  
+38 095 656~37~57,  
+38 067 360~71~01,  
+38 063 362~12~31,  
[info@prom-nasos.pro](mailto:info@prom-nasos.pro)

# LQLRY Thermal Oil Pump

## GUIDING TABLE ( GENERAL MODELS )

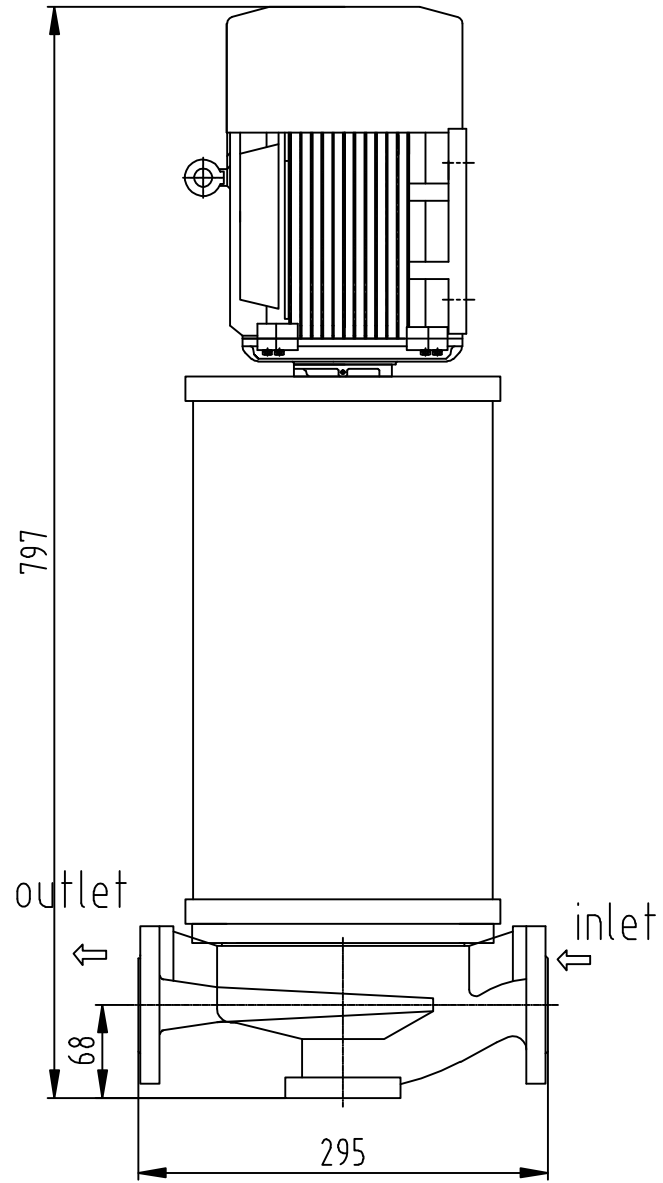
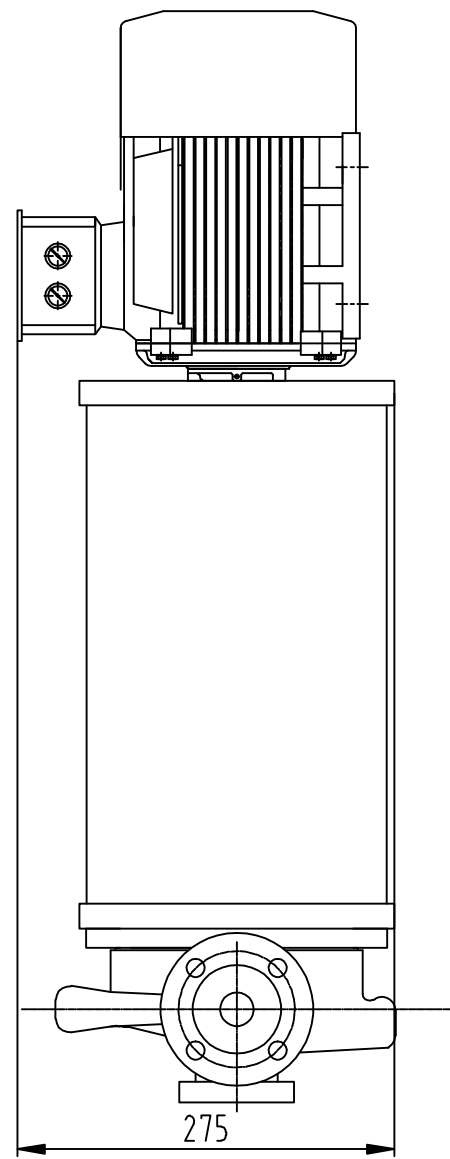
Model	Inlet	Outlet	Flow m³/h	Head	Speed RPM	Power kW
25-25-135	25	25	4	20	2900	0.75
25-25-170	25	25	4	32		1.5
32-32-135	32	32	4.5	20		0.75
32-32-170	32	32	4.5	32		1.5
32-32-210	32	32	4.5	50		3
40-40-135	40	40	6.3	20		1.1
40-40-170	40	40	6.3	32		2.2
40-40-210	40	40	6.3	50		4
40-40-260	40	40	6.3	80		7.5
50-50-135	50	50	12.5	20		1.5
50-50-170	50	50	12.5	32		3
50-50-210	50	50	12.5	50		5.5
50-50-260	50	50	12.5	80		11
65-65-135	65	65	25	20		3
65-65-170	65	65	25	32		4
65-65-210	65	65	25	50		7.5
65-65-260	65	65	25	80		15
65-65-325	65	65	25	125		30
80-80-135	80	80	50	20		5.5
80-80-170	80	80	50	32		7.5
80-80-210	80	80	50	50		15
80-80-260	80	80	50	80		22
80-80-325	80	80	50	125		37
100-100-135	100	100	100	20		11
100-100-170	100	100	100	32		15
100-100-210	100	100	100	50		22
100-100-260	100	100	100	80		37
100-100-325	100	100	100	125		75
125-125-135	125	125	160	20		15
125-125-170	125	125	160	32		22
125-125-210	125	125	160	32	37	
125-125-260	125	125	160	50	55	
125-125-325	125	125	160	80	90	
150-150-260F	150	150	200	80	75	
150-150-325F	150	150	200	125	110	

## CONSTRUCTION

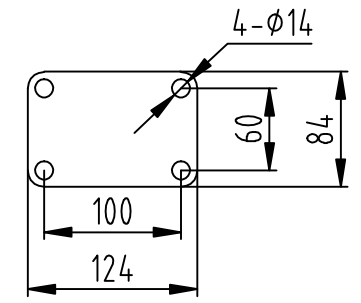
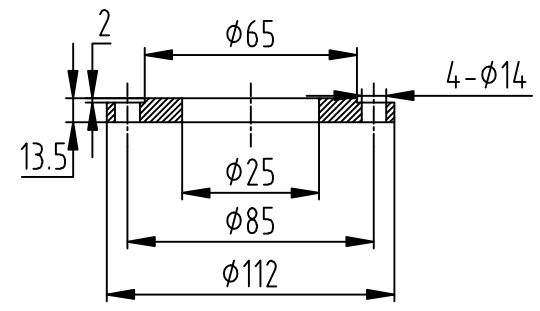


Item	Description	Item	Description
①	Pump Body	⑳	Bolt
②	Cap Nut	㉑	Fan
③	Washer	㉒	Paper Pad
④	Impeller	㉓	Snap Ring
⑤	Key	㉔	Fan Cover
⑥	Snap Ring	㉕	Bolt
⑦	Graphet Seal	㉖	Bracket
⑧	Pump Cover	㉗	Bolt
⑨	Bearing Housing	㉘	Fixed Piece
⑩	Plug	㉙	Frame
⑪	Shaft	㉚	Seal Gasket
⑫	Dynamic Seal	㉛	Bolt
⑬	Retaining Ring	㉜	Washer
⑭	Bearing	㉝	Washer
⑮	Grease Nozzle	㉞	Washer
⑯	Bearing Cover	㉟	Nut
⑰	Key	㊱	Stud
⑱	Snap Ring	㊲	Seal Gasket
㉚	Retaining Ring		

Reference drawing



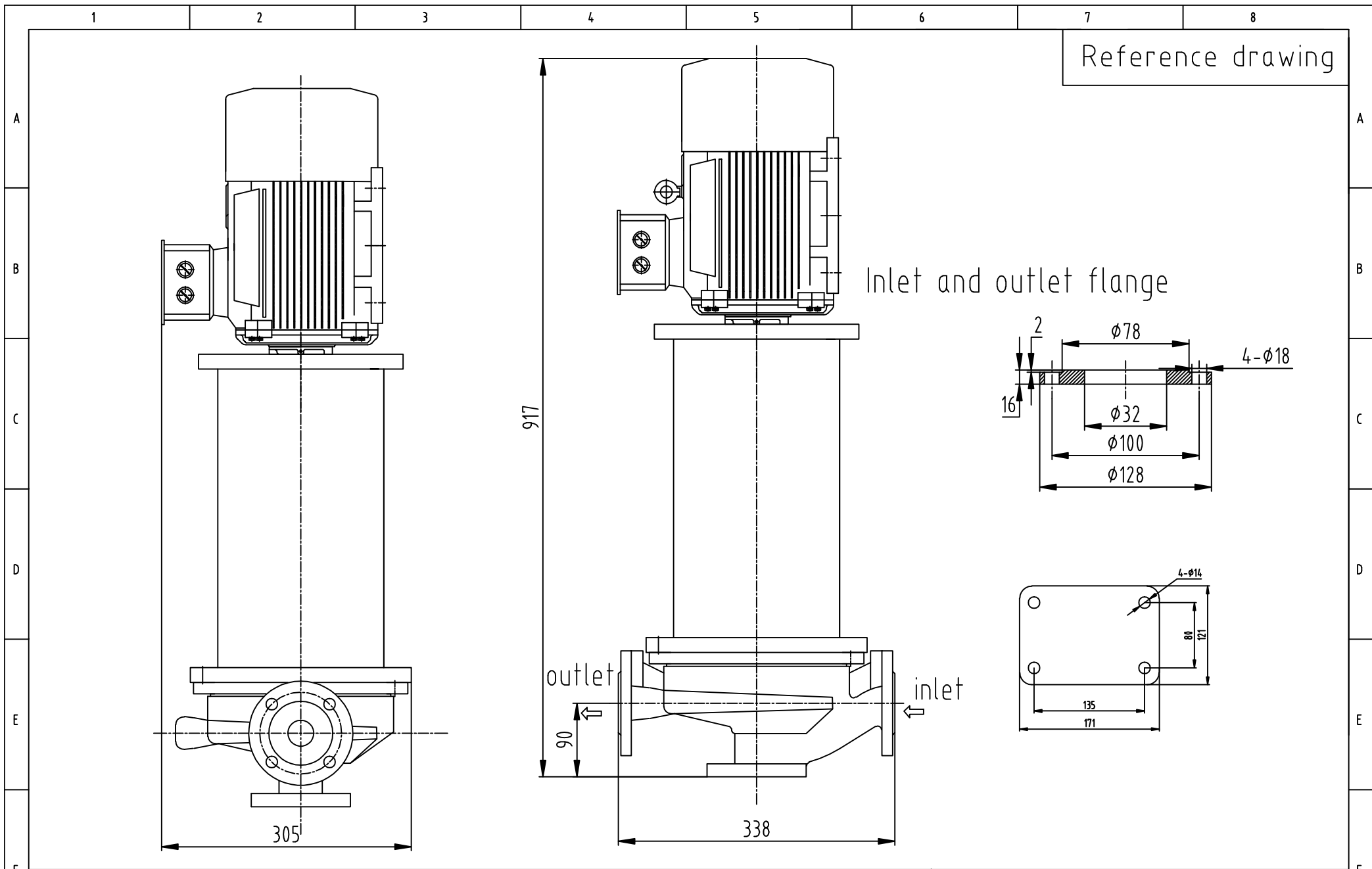
Inlet and outlet flange



		Date
		Draw
		Audit
		Ratify

Installation  
size chart

pump type	LQLRY25.25.170		
Motor model	Y90S:1.5KW-2	hot oil pump	page 1

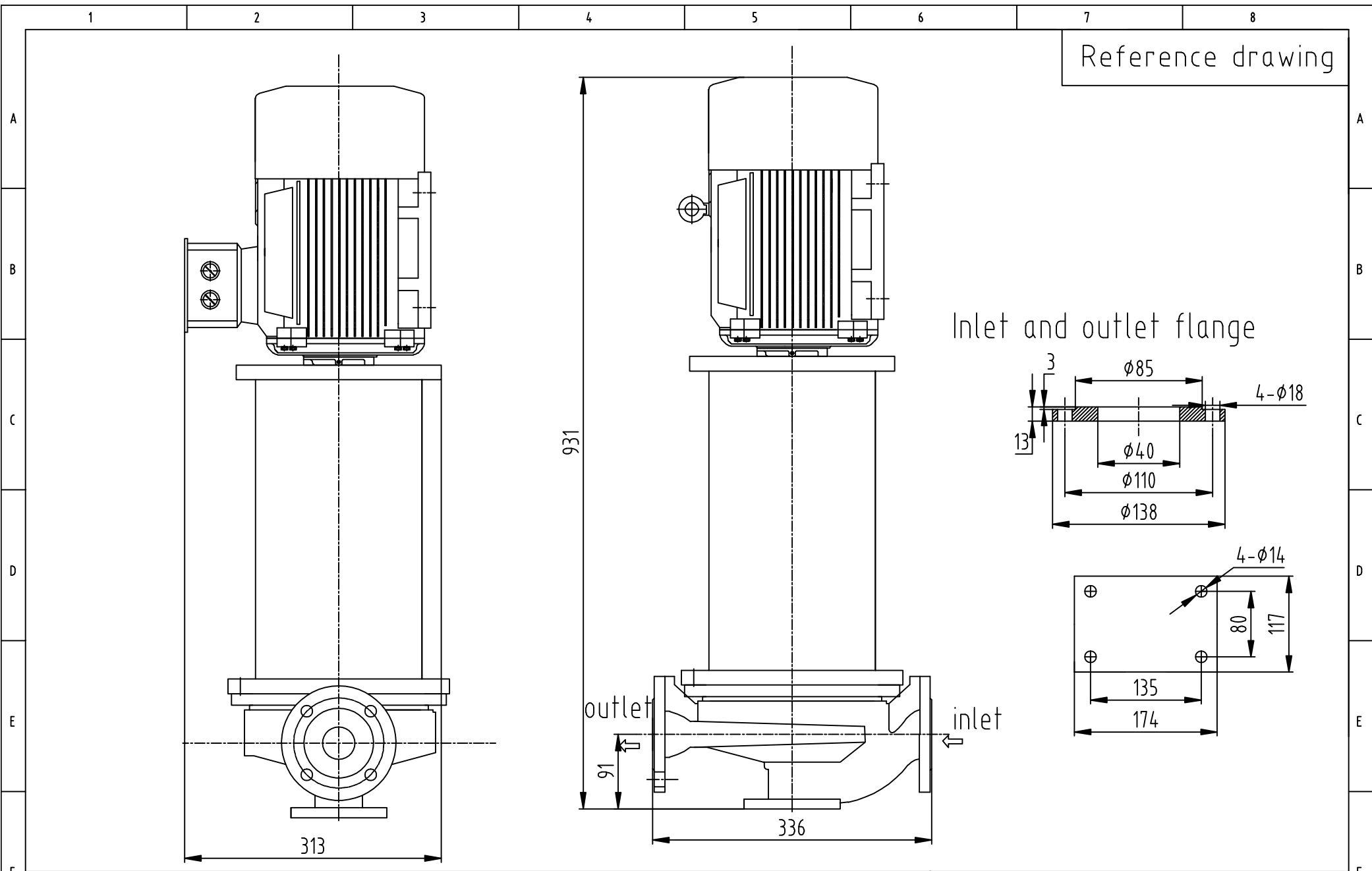


Reference drawing

Inlet and outlet flange

outlet inlet

		Date	Installation		pump type		LQLRY32.32.210	
		Draw	size chart		Motor model		Y100L:3KW-2	
		Audit					hot oil pump	
		Ratify					page 1	



Reference drawing

Installation  
size chart

pump type

LQLRY40.40.210

Motor model

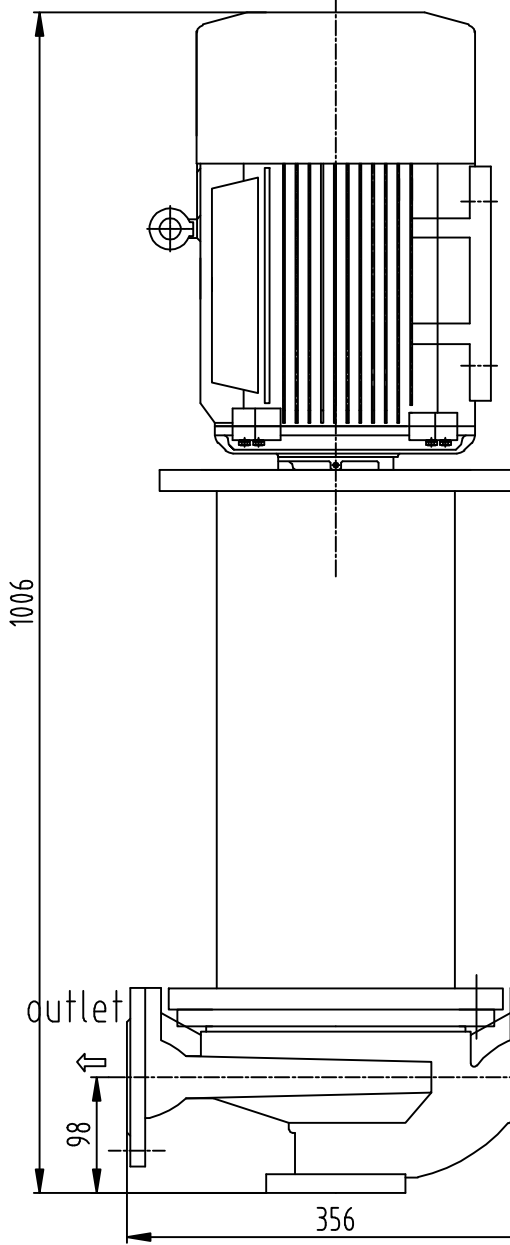
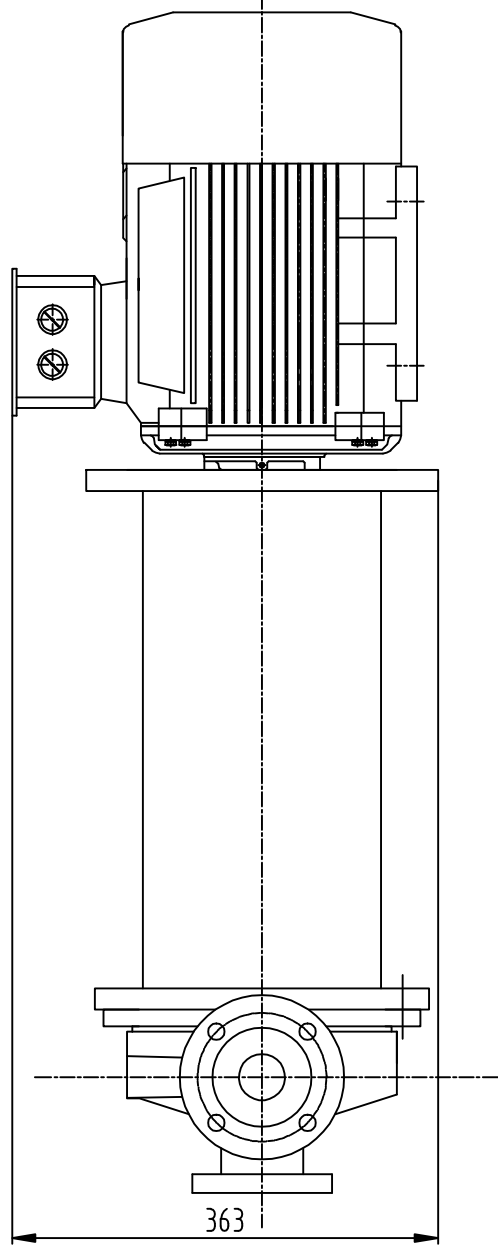
Y112M:4KW-2

hot oil pump

page 1

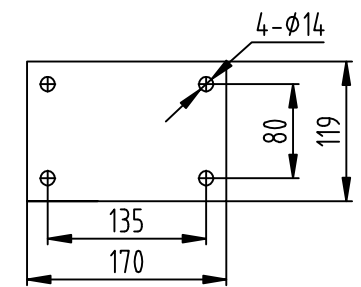
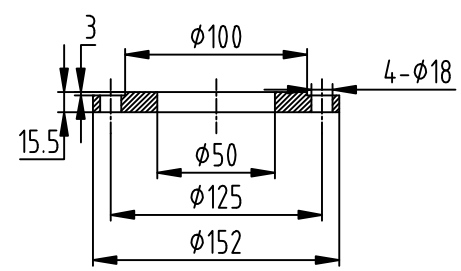
Date	
Draw	
Audit	
Ratify	

1	2	3	4	5	6	7	8
---	---	---	---	---	---	---	---



Reference drawing

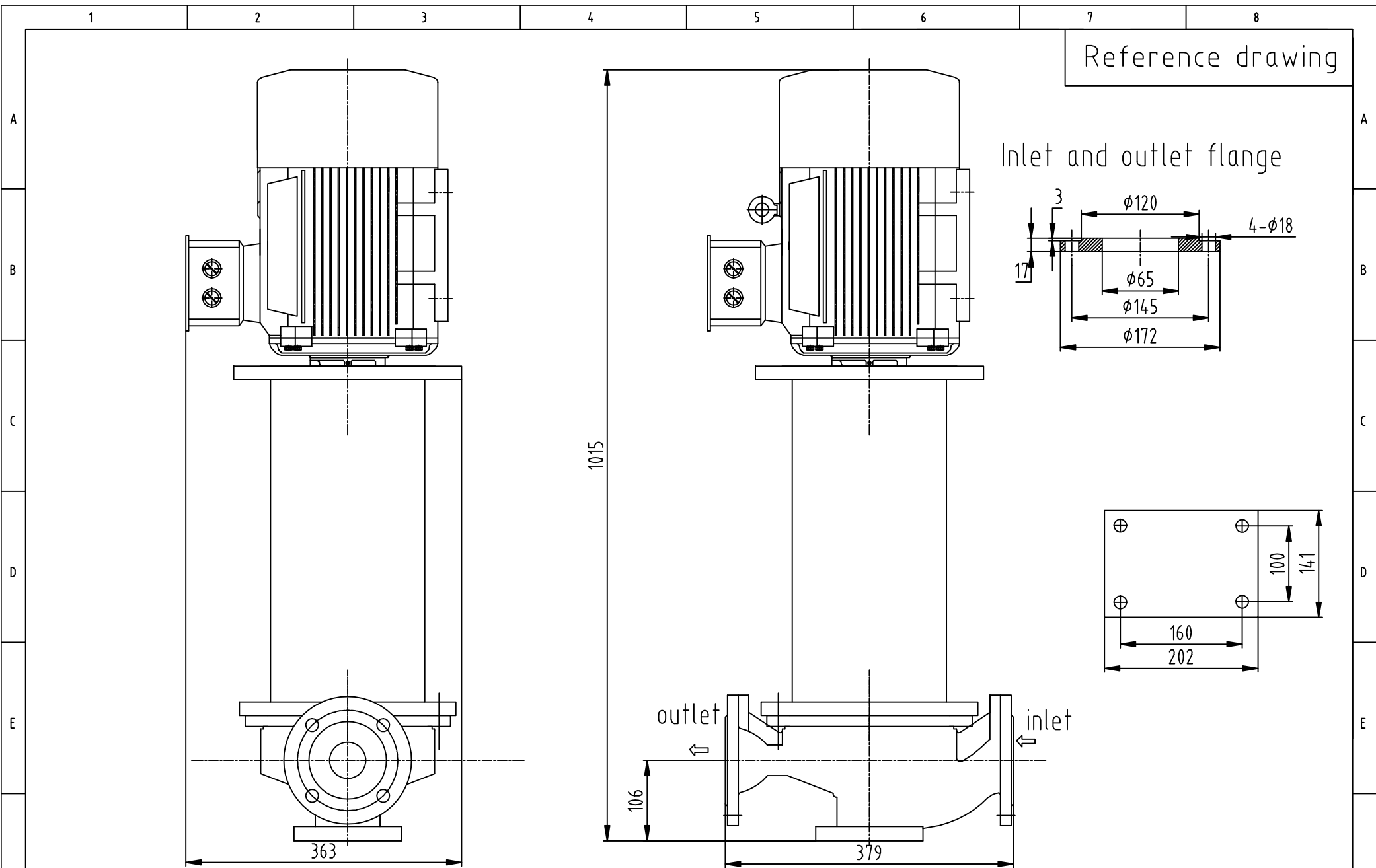
Inlet and outlet flange



		Date
		Draw
		Audit
		Ratify

Installation  
size chart

pump type	LQLRY50.50.210		
Motor model	Y132S:5.5KW-2	hot oil pump	page 1



Reference drawing

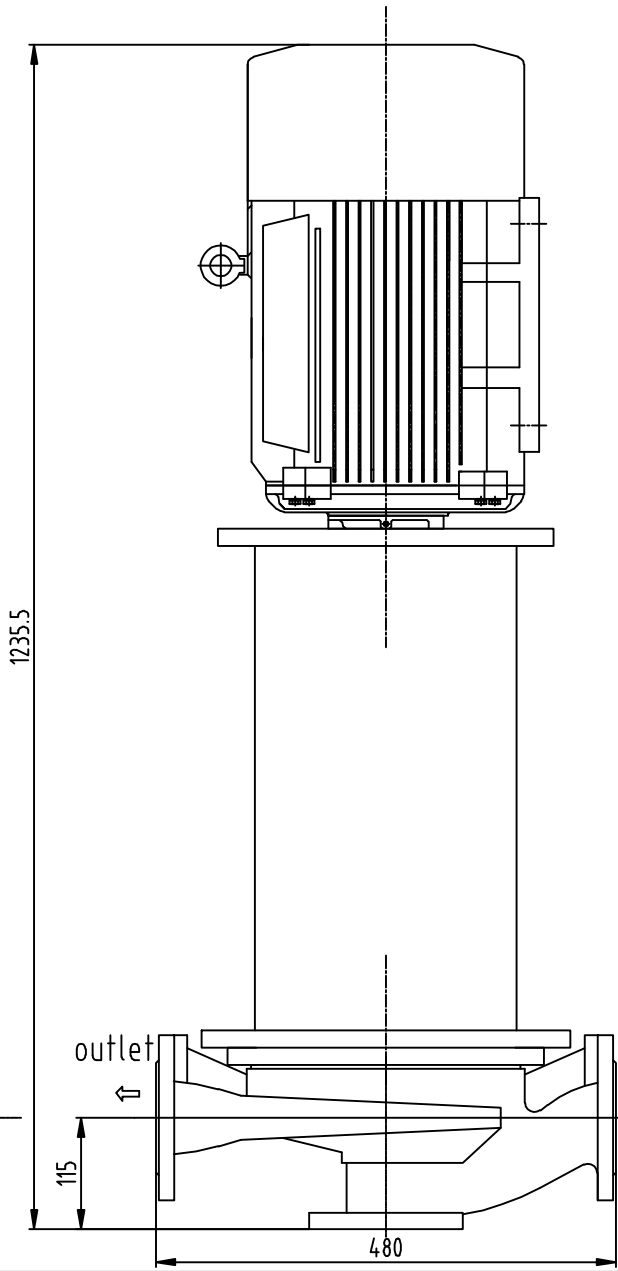
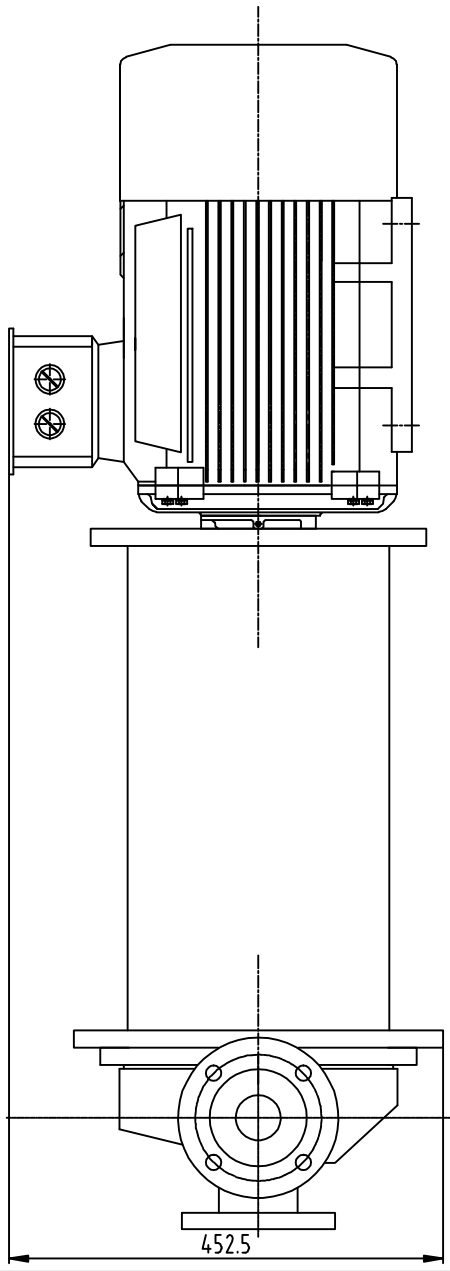
Inlet and outlet flange

Installation  
size chart

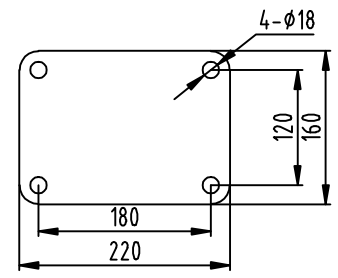
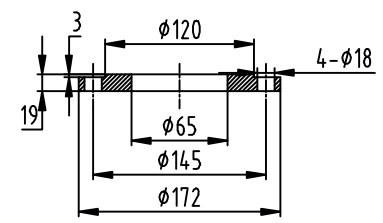
pump type	LQLRY65.65.210		
	Motor model	Y132S:7.5KW-2	hot oil pump

Date	
Draw	
Audit	
Ratify	

Reference drawing



Inlet and outlet flange



		Date
		Draw
		Audit
		Ratify

Installation  
size chart

pump type  
Motor model

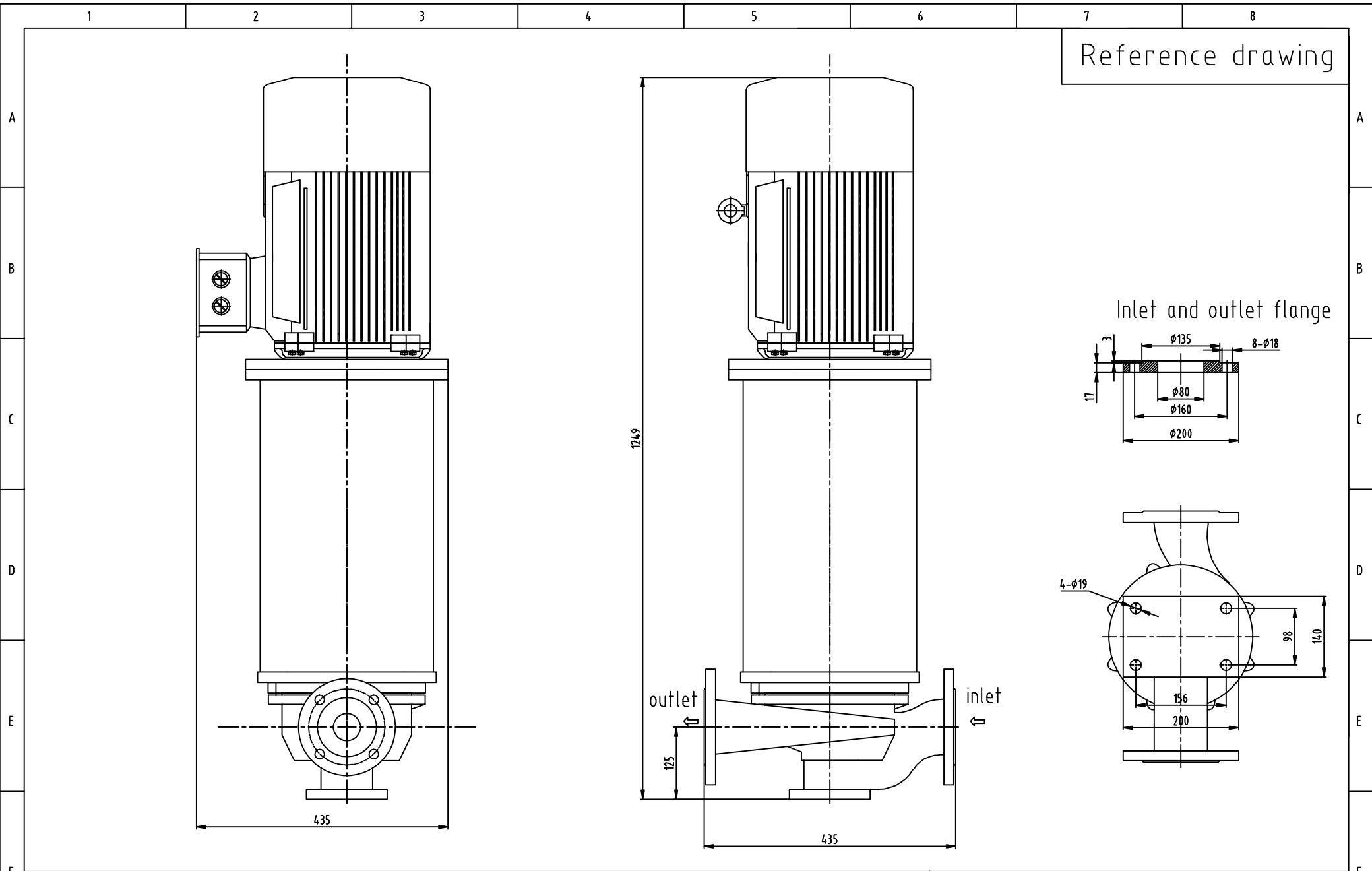
LQLRY65.65.260

Y160M:15KW-2

hot oil pump

page 1

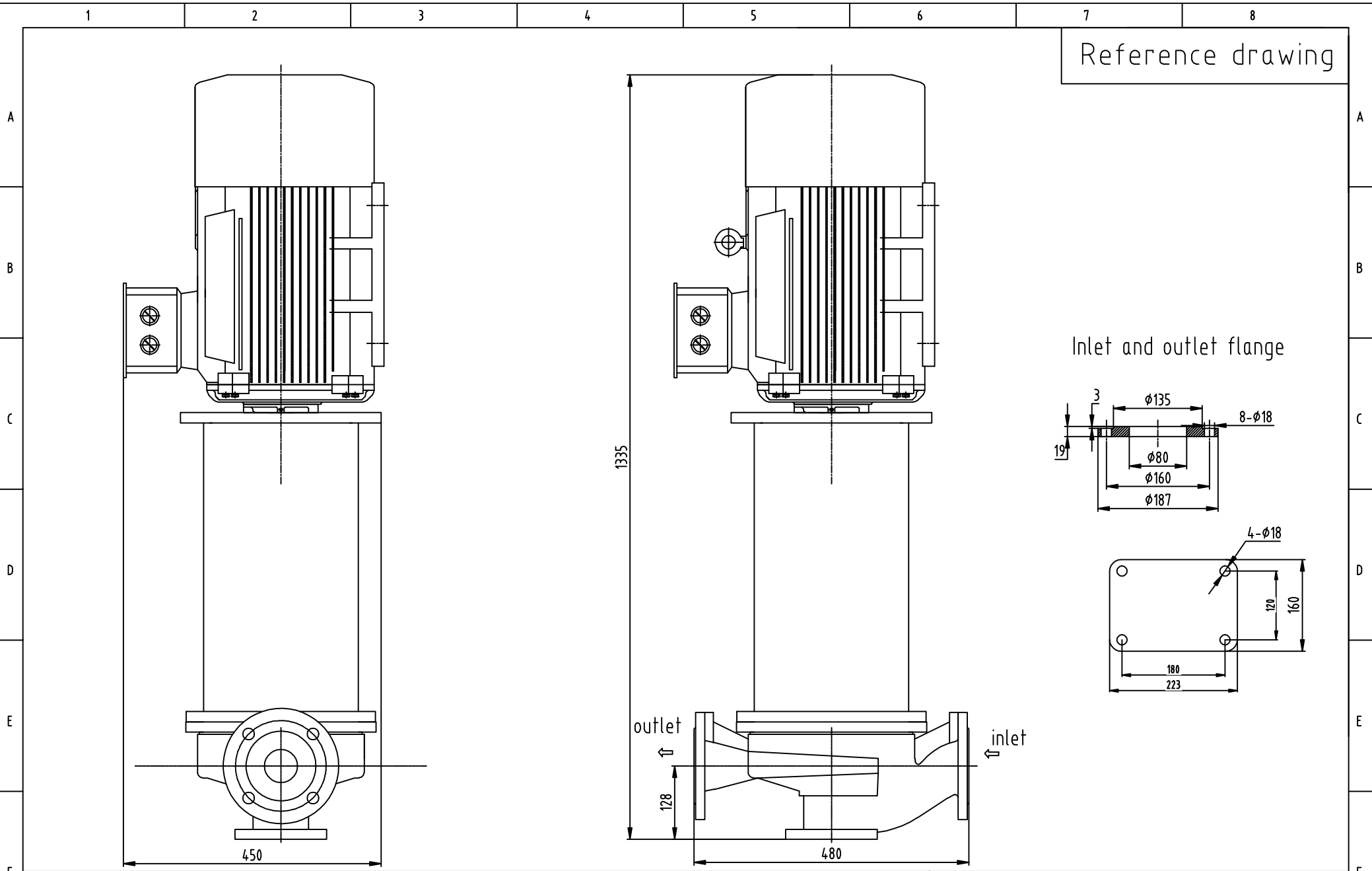




			Date
			Draw
			Audit
			Ratify

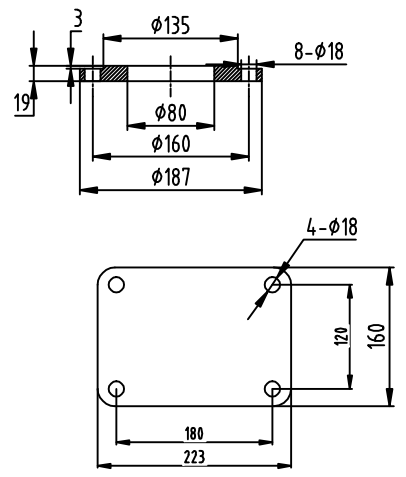
Installation  
size chart

pump type	LQLRY80.80.210		
Motor model	Y160M:15KW-2	hot oil pump	page 1



Reference drawing

Inlet and outlet flange

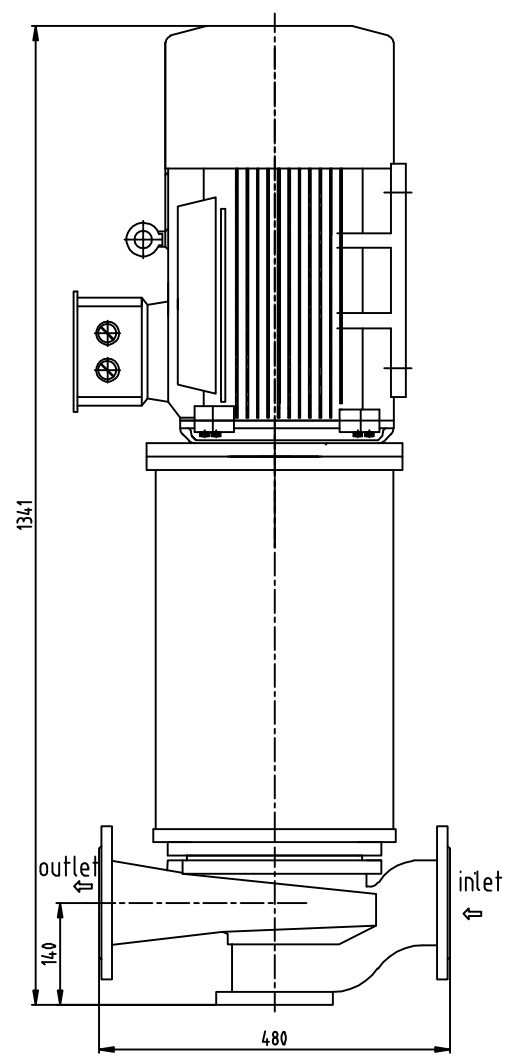
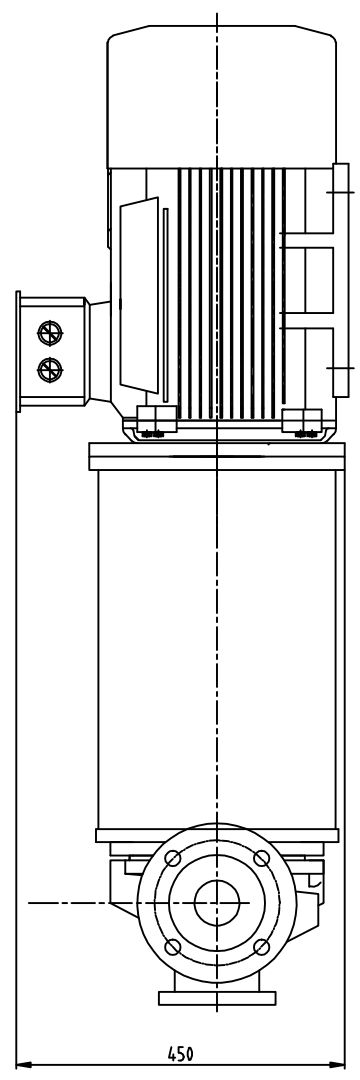


Installation  
size chart

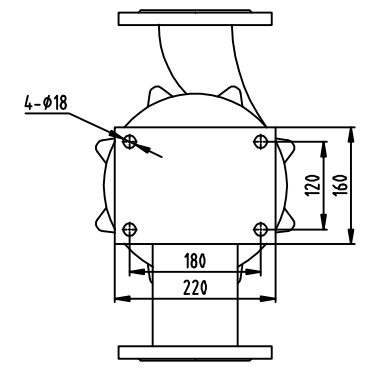
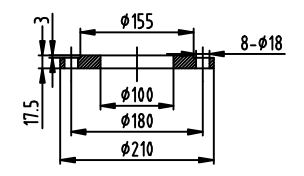
Motor model	Y180M:22KW-2	hot oil pump	page 1
pump type	LQLRY80.80.260		

Date	
Draw	
Audit	
Ratify	

Reference drawing



Inlet and outlet flange



			Date
			Draw
			Audit
			Ratify

Installation  
size chart

pump type	LQLRY100.100.210		
Motor model	Y180M:22kw-2	hot oil pump	page 1

	1	2	3	4	5	6	7	8
A								
B								
C								
D								
E								
F								